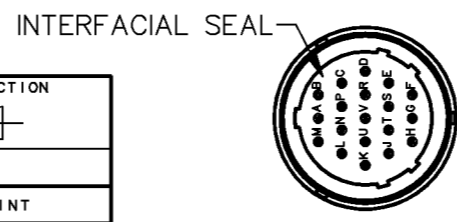
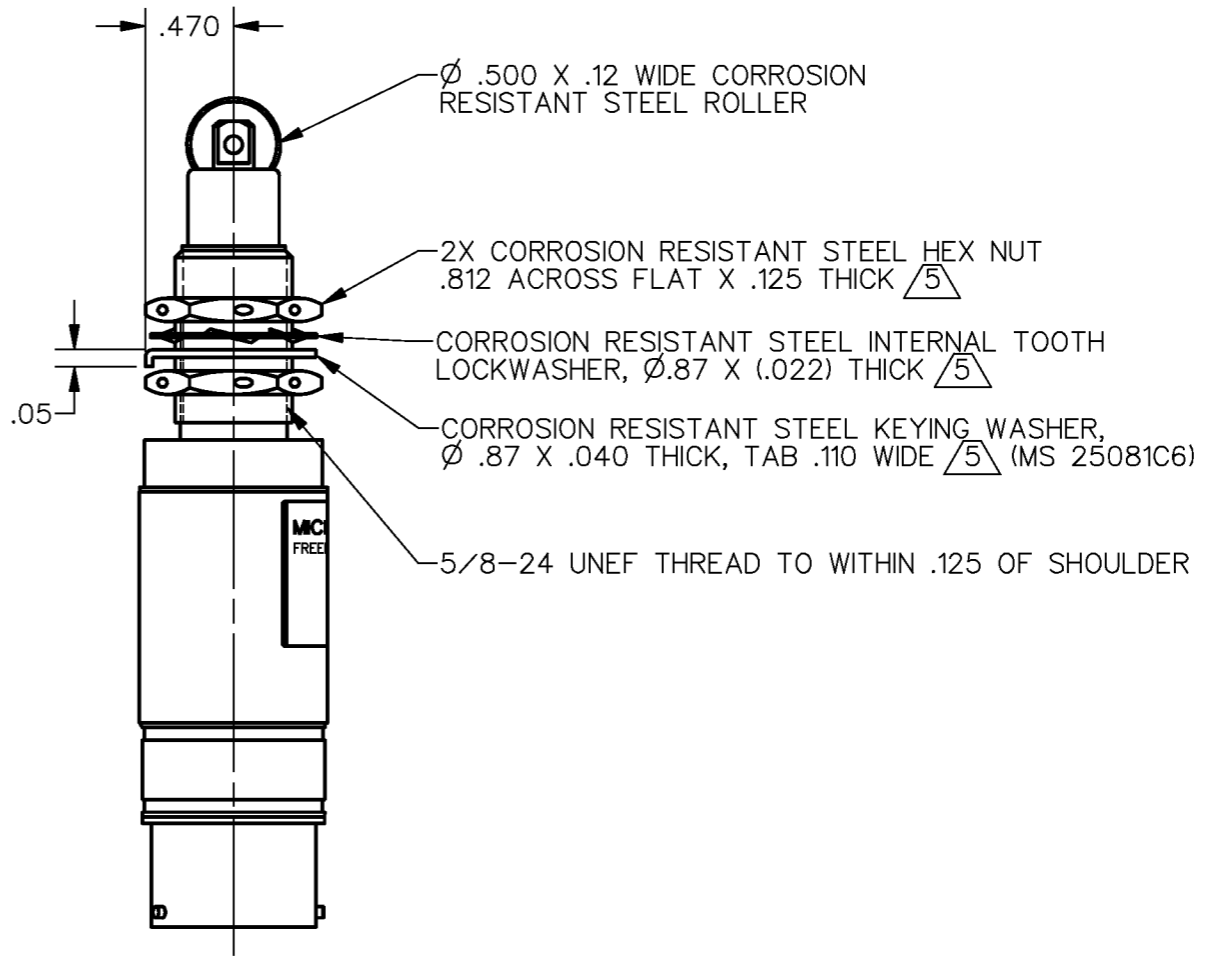
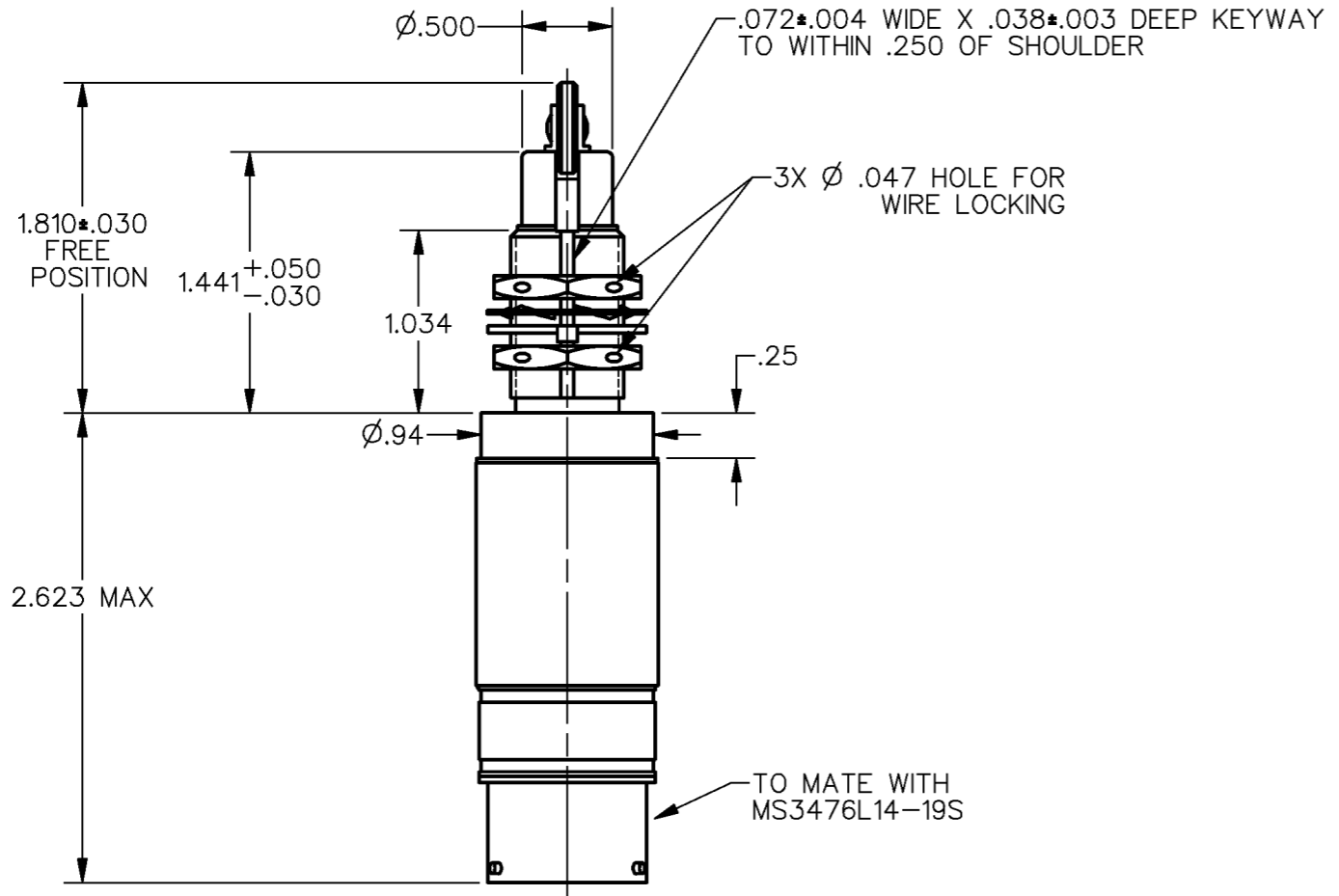
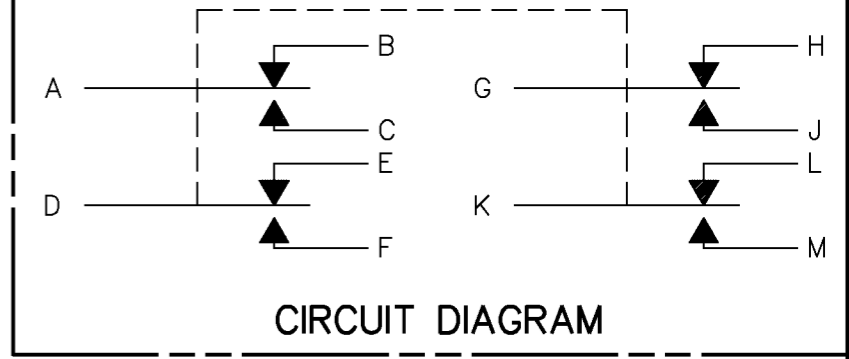


MICRO SWITCH
a Honeywell Division

FED. MFG. CODE 91929

SWITCH - ENCLOSED

CATALOG LISTING
424EN33-RB
CUSTOMER PART NUMBER
1159SCAV452-1



- NOTES**
- 1 - CORROSION RESISTANT STEEL ENCLOSURE
 - 2 - SWITCH SEALED PER MIL-PRF-8805, SYMBOL 4
 - 3 - IN ADDITION TO STANDARD MARKING, CUSTOMER PART NUMBER AND CURRENT CUSTOMER DRAWING REVISION LEVEL IS MARKED ON THE SWITCH NAME PLATE IF APPLICABLE
 - 4 - COINCIDENCE OF OPERATION AND RELEASING POINTS: .010 OF PLUNGER TRAVEL
 - (5) HARDWARE MAY BE PACKAGED UNASSEMBLED PER MIL-PRF-8805
 - 6 - GOLD PLATED SILVER CONTACT BASIC SWITCHES

CATALOG LISTING
424EN33-RB
PAGE 1 OF 1
RELEASE NO. PR-21045 REPLACES
ISSUE **M** 6
REVISIONS
A PR-21045 MAM 14 MAR 94
B CO-77978 K D R 6 AUG 94
C CO-81044 S A 31 JUL 96
D CO-81640 J 20 OCT 95
E ECO-0051987 MBN 30 APR 99
CHECK 30 APR 09
CHECK CMH
CHECK A W 16 MAR 94
CHECK D A W 16 MAR 94
DRAWN
MASTER

THIS DRAWING COVERS A PROPRIETARY ITEM AND IS THE PROPERTY OF MICRO SWITCH, A DIVISION OF HONEYWELL. THIS DRAWING IS NOT TO BE COPIED OR USED WITHOUT THE APPROVAL OF MICRO SWITCH

CHARACTERISTICS		ELECTRICAL DATA	
OPERATING FORCE	6-12 LB	CONTACT ARRANGEMENT 4X S P D T	
FULL OVERTRAVEL FORCE	30 LB MAX	DO NOT SCALE PRINT	
RELEASE FORCE	4 LB MIN	UNLESS OTHERWISE SPECIFIED TOLERANCES ARE	
PRETRAVEL	.040 MAX	LOAD	28 VDC
DIFFERENTIAL TRAVEL	.020 MAX	RES	SEA LEVEL 7 50,000 FT 7
OVERTRAVEL	.250 MIN	IND	4 2.5
		MOTOR	4 4
		WEIGHT	

ANSI Y14.5M-1982 APPLIES