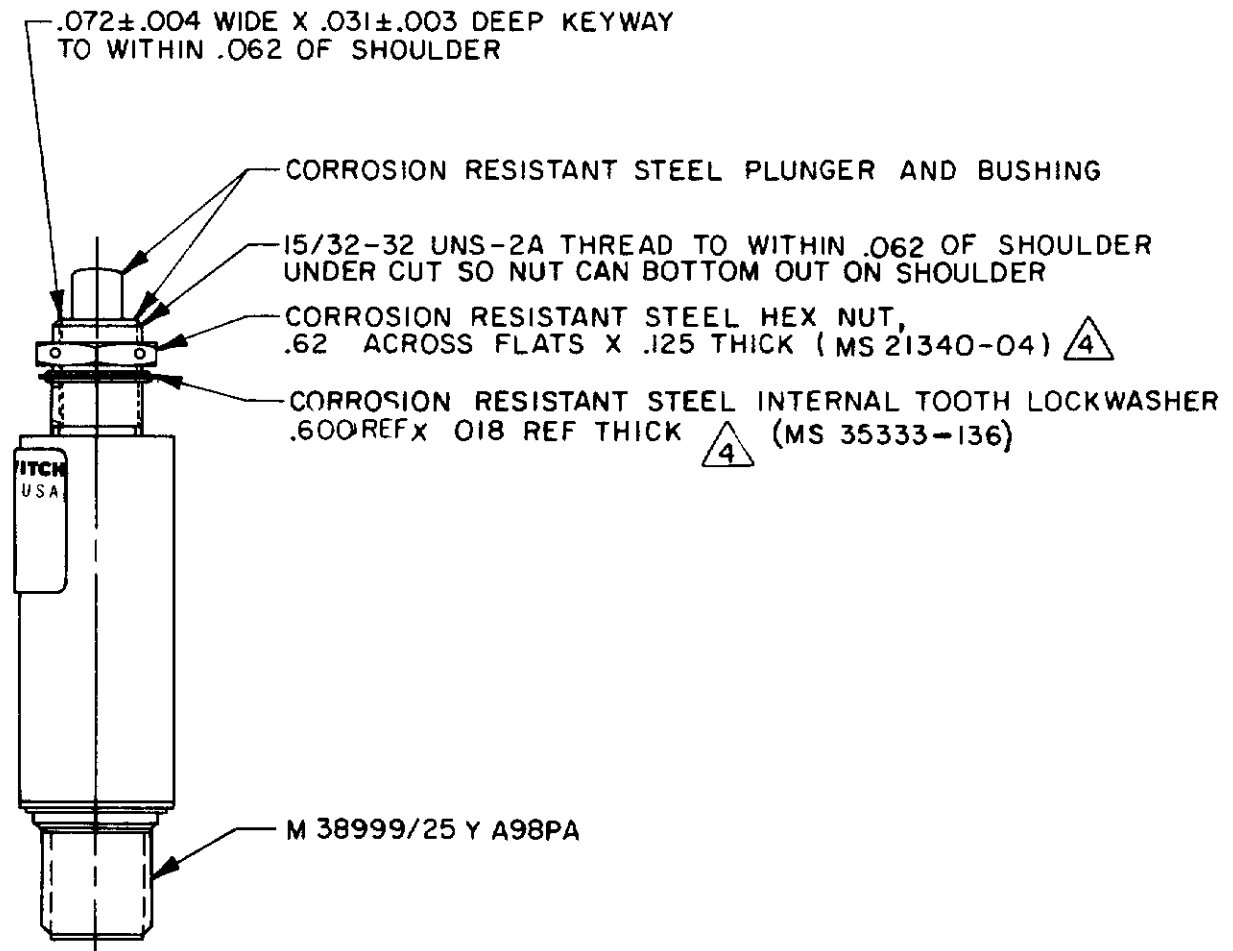
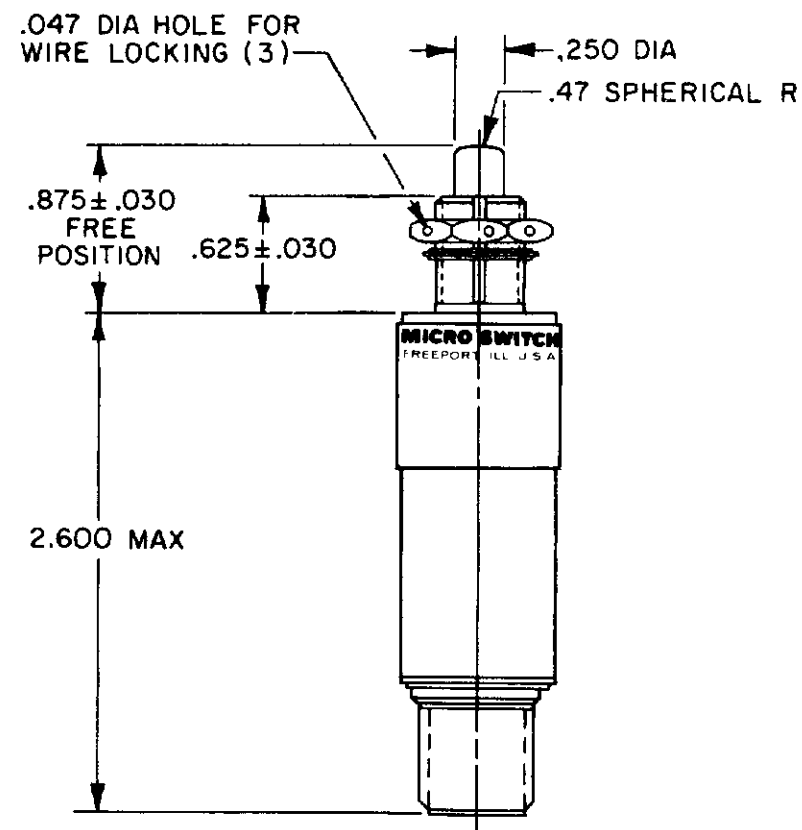
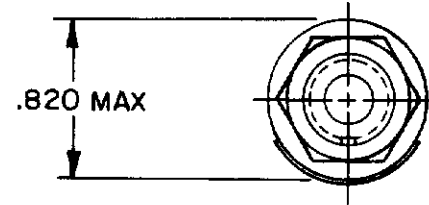
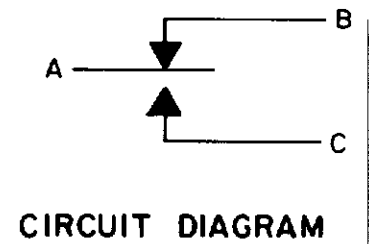


MICRO SWITCH
 FREEPORT ILLINOIS U S A
 A DIVISION OF HONEYWELL
 FED MFG CODE 91929

SWITCH - ENCLOSED

CATALOG LISTING
602EN535-RB
 CUSTOMER PART NO.
 19207-12292794-1

Furnished under United States Government Contract No. _____
 Shall not be either released outside the Government, or used, duplicated
 or disclosed in whole or in part for manufacture or procurement, without
 the written permission of MICRO SWITCH, A Division of Honeywell, except
 for (I) emergency repair or overhaul work by or for the Government, where
 the item or process concerned is not otherwise reasonably available to
 enable timely performance of the work, or (II) release to a foreign govern-
 ment, as the interests of the United States may require, provided that in
 either case the release, use, duplication or disclosure hereof shall be
 marked on any reproduction hereof in whole or in part.



M 602EN535-RB

DRAWING NUMBER

7

ISSUE

REPLACES
 RELEASE NO. PR-13038

REVISIONS

A	PR 13038		
1	WJM	JUN 84	
B	C072823		
	WLS	13 JUN 92	
C	C077642		
	DLT	25 MAY 84	

CHECK

84

84

84

84

84

84

84

84

84

84

84

84

84

84

84

84

84

84

84

84

84

84

84

84

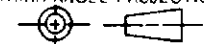
84

84

84

84

THIRD ANGLE PROJECTION



SCALE FULL

DO NOT SCALE PRINT

TOLERANCES
 APPLY TO DESIGN UNITS CONVERSIONS ARE ONLY FOR REFERENCE UNLESS NOTED TOLERANCES ARE ±

	DIM	TOL	DIM	TOL
	mm	mm/in	in	mm/in
NO PLACES	X	17/04	X	0.01/03
ONE PLACE	X X	0.41/018	X X	0.38/015
TWO PLACES	X X X	0.15/006	X X X	0.13/005
THREE PLACES				
ANGLES				

DESIGN UNITS SI METRIC US CUSTOMARY

RAW MATERIAL—COMMERCIAL STANDARD
 MICRO SWITCH STANDARDS APPLY
 DIMENSIONS ARE TO BE MET BEFORE
 PROTECTIVE COATINGS ARE APPLIED

WEIGHT 5 OZ MAX

CHARACTERISTICS	
OPERATING FORCE	3-6 LB
FULL OVERTRAVEL FORCE	17 LB MAX
RELEASE FORCE	2 LB MIN
PRETRAVEL	.040 MAX
DIFFERENTIAL TRAVEL	.020 MAX
OVERTRAVEL	125 MIN

ELECTRICAL DATA		
CONTACT ARRANGEMENT		
S P D T		
28 VDC		
LOAD	SEA LEVEL	50,000 FT.
RES	7	7
IND	4	2.5
MOTOR	4	
LAMP		

NOTES

- SWITCH SEALED PER MIL-S-8805 SYMBOL 4
- CORROSION RESISTANT STEEL ENCLOSURE
- CIRCUIT DIAGRAM, CATALOG LISTING, CUSTOMER PART NO. AND REVISION LETTER ARE SHOWN ON NAMEPLATE
- 4 HARDWARE MAY BE PACKAGED UNASSEMBLED PER MIL-S-8805
- KEYWAY IN BUSHING AND POLARIZING KEY OF RECEPTACLE ARE ALIGNED

FO 9285 1-A

DRAWN

WJM 1 JUN 84

CHECK

KAG

13 JUN 84

84

84

84

84

84

84

84

84

84

84

84

84

84

84

84

84

84

84