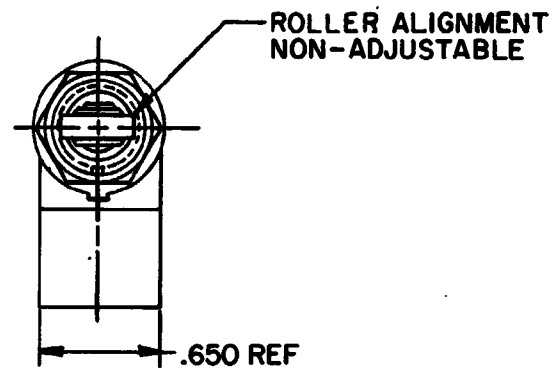
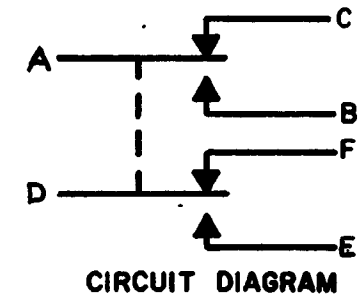


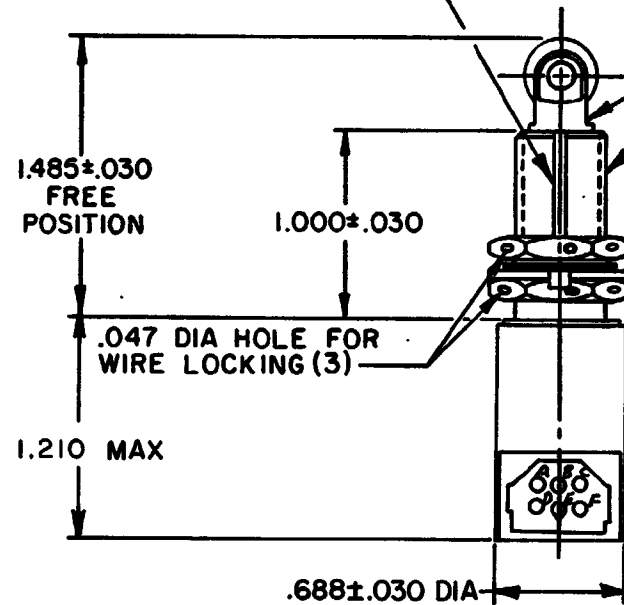
MICRO SWITCH
 FREEPORT, ILLINOIS, U.S.A.
 A DIVISION OF HONEYWELL
 FED. MFG. CODE 91889

SWITCH-ENCLOSED

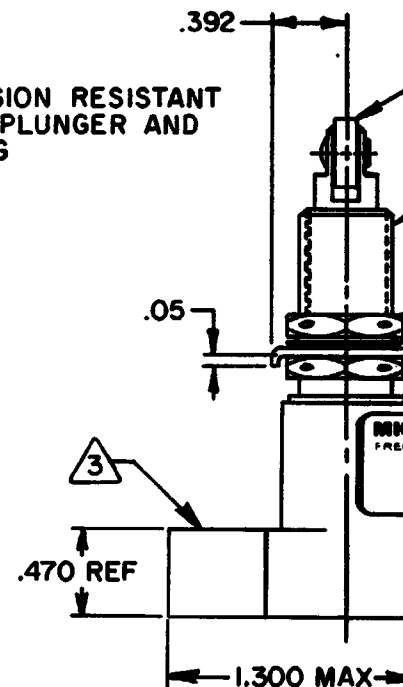
CATALOG LISTING
622EN114-R



.072±.004 WIDE X .031±.003
 DEEP KEYWAY TO WITHIN
 .250 OF SHOULDER



CORROSION RESISTANT
 STEEL PLUNGER AND
 BUSHING



.375 DIA X .104 WIDE CORROSION
 RESISTANT STEEL ROLLER

15/32-32 UNS THREAD TO WITHIN .093 OF SHOULDER

CORROSION RESISTANT STEEL HEX NUT,
 .62 ACROSS FLATS X .125 THICK (2) (MS 21340-04) Ⓢ

CORROSION RESISTANT STEEL INTERNAL TOOTH
 LOCKWASHER, .59 DIA X .018 REF THICK (MS 35333-136) Ⓢ

CORROSION RESISTANT STEEL KEYING WASHER,
 .72 DIA X .040 THICK, TAB .110 WIDE (MS 25081C4) Ⓢ

NOTES

- 1 - CORROSION RESISTANT STEEL ENCLOSURE
- 2 - SWITCH SEALED PER MIL-PRF-8805 SYMBOL 4
- 3 - DEUTSCH RECEPTACLE
- 4 - COINCIDENCE OF OPERATING AND RELEASING POINTS:
 .010 OF PLUNGER TRAVEL
- 5 - ELECTRICAL RATINGS APPLY AS SPECIFIED IN MIL-
 PRF-8805/43 UP TO 185°F
- 6 - CIRCUIT DIAGRAM AND CATALOG LISTING ARE SHOWN
 ON NAMEPLATE
- 7 - CIRCUIT DIAGRAM - LETTERS ARE ASSOCIATED WITH RECEPTACLE
- 8 - CONNECTOR MUST BE IN-LINE WITH BUSHING KEYWAY WITHIN ±6°
- 9 - ROLLER MUST BE PERPENDICULAR WITH BUSHING KEYWAY WITHIN
 2.5° ROLLER PLUNGER CAN BE ROTATED CLOCKWISE OR COUNTER
 CLOCKWISE TO ALIGN THE KEYWAY WITHIN 2.5°
- 10 - HARDWARE MAY BE PACKAGED UNASSEMBLED PER MIL-PRF-8805

622EN114-R
 DRAWING NUMBER
 ISSUE 11
 REVISIONS
 A 0046610 0 JW 22 OCT 79
 B 0047875 PART 4 R J H 18 AUG 80
 C UPDATE GLL 8-K 87
 D PR 17648 T J O 28 AUG 89
 E 0075035 DAW 1 JUL 92
 F 756128 WES 2 SEP 93
 G 0006802 TCC/AP 30 AUG 04
 H 0040376 MPH 04 JUN 08
 RELEASE NO. PR-17648
 CHECK
 DRAWN
 PO-22851-B

THIS DRAWING COVERS A PROPRIETARY ITEM AND IS THE PROPERTY OF MICRO SWITCH, A DIVISION OF HONEYWELL. THIS DRAWING IS NOT TO BE COPIED OR USED WITHOUT THE APPROVAL OF MICRO SWITCH.

CHARACTERISTICS		ELECTRICAL DATA		SCALE FULL	
OPERATING FORCE	6-12 LB	CONTACT ARRANGEMENT		DO NOT SCALE PRINT	
FULL OVERTRAVEL FORCE	30 LB MAX	SPDT (2)		UNLESS OTHERWISE SPECIFIED TOLERANCES ARE	
RELEASE FORCE	4 LB MIN	LOAD	28 VDC		ONE PLACE (.0) ±.030
PRETRAVEL	.040 MAX		SEA LEVEL	50,000 FT.	TWO PLACE (.00) ±.015
DIFFERENTIAL TRAVEL	.020 MAX	RES	7	THREE PLACE (.000) ±.005	
OVERTRAVEL	.210 MIN	IND	4	ANGLES ±	
		MOTOR	4		
		LAMP			
		WEIGHT		2.0 OZ MAX	