

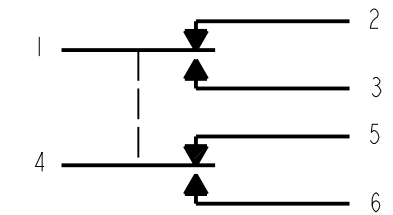
MICRO SWITCH
a Honeywell Division

FED. MFG. CODE 91929

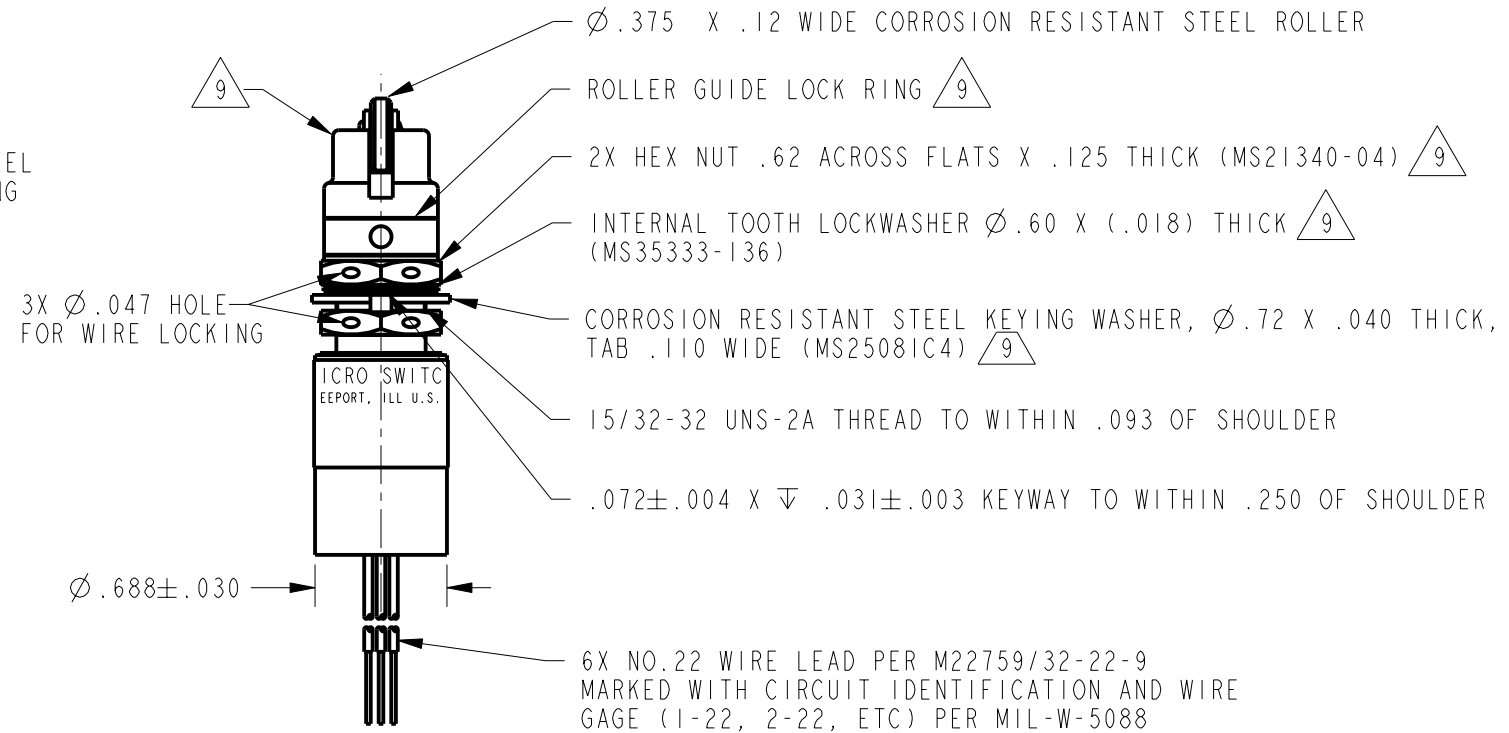
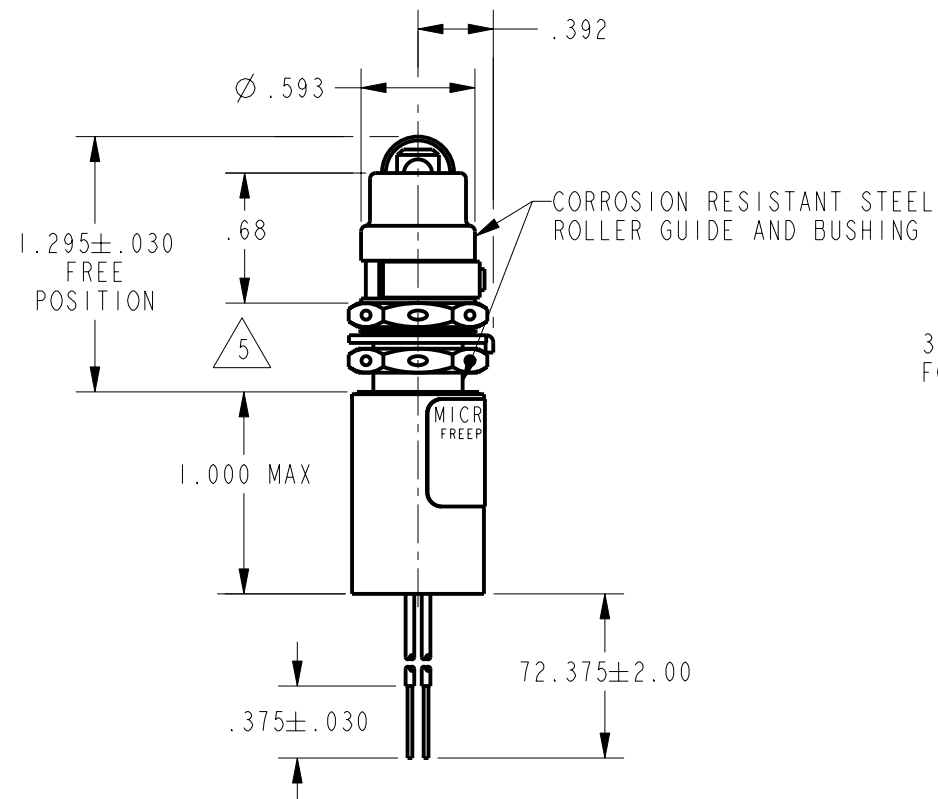
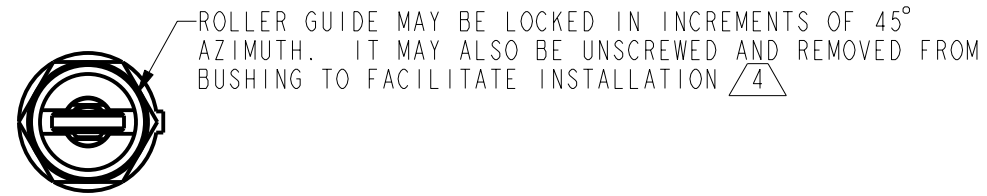
SWITCH-ENCLOSED

622EN224-6B

CATALOG LISTING



CIRCUIT DIAGRAM

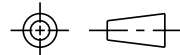


NOTES

- 1 - CORROSION RESISTANT STEEL ENCLOSURE
- 2 - SWITCH SEALED PER MIL-PRF-8805 SYMBOL 4
- 3 - CIRCUIT DIAGRAM, CATALOG LISTING, DATE CODE, AND FEDERAL MFG. CODE 91929 ARE SHOWN ON NAMEPLATE
- ⁴ TO ADJUST ROLLER DIRECTION REMOVE ROLLER GUIDE LOCK RING, SCREW ROLLER GUIDE TO DESIRED DIRECTION, SECURE BY REPLACING ROLLER GUIDE LOCK RING
- ⁵ ROLLER GUIDE LOCATION CAN VARY BETWEEN .292 AND .450 WHILE MAINTAINING .125 MIN OVERTRAVEL
- 6 - COINCIDENCE OF OPERATING AND RELEASING POINTS: .010 OF PLUNGER TRAVEL
- 7 - NOTED ELECTRICAL RATINGS APPLY AS SPECIFIED IN MIL-PRF-8805/43 UP TO +185°F
- ⁸ BASIC SWITCHES HAVE GOLD CONTACTS
- ⁹ HARDWARE MAY BE PACKAGED UNASSEMBLED PER MIL-PRF-8805

THIS DRAWING COVERS A PROPRIETARY ITEM AND IS THE PROPERTY OF MICRO SWITCH, A DIVISION OF HONEYWELL. THIS DRAWING IS NOT TO BE COPIED OR USED WITHOUT THE APPROVAL OF MICRO SWITCH

THIRD ANGLE PROJECTION



CHARACTERISTICS	
OPERATING FORCE	6 - 12 LB
FULL OVERTRAVEL FORCE	30 LB MAX
RELEASE FORCE	4 LB MIN
PRETRAVEL	.040 MAX
DIFFERENTIAL TRAVEL	.020 MAX
OVERTRAVEL	.125 MIN
FREE POSITION	

ELECTRICAL DATA		
CONTACT ARRANGEMENT		
2X S P D T		
LOAD	28 VDC ⁸	
SEA LEVEL	50,000 FT	
RES	1 AMP	1 AMP
IND	0.5 AMP	0.5 AMP

SCALE	
FULL	
DO NOT SCALE PRINT	
UNLESS OTHERWISE SPECIFIED TOLERANCES ARE	
ONE PLACE	(.0) $\pm .030$
TWO PLACE	(.00) $\pm .015$
THREE PLACE	(.000) $\pm .005$
ANGLES	\pm
WEIGHT	0.5 LB MAX

ANSI Y14.5M-1982 APPLIES

CATALOG LISTING
622EN224-6B

PAGE 1 OF 1

REPLACES
RELEASE NO. PR-22349

ISSUE
4

CHECK

REVISIONS
A 203764
JLH
30AUG01

CHECK

30AUG01

SAV

CHECK

30AUG01

PTC/CAD 2D
DRAWN
JLH