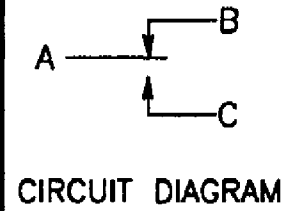


MICRO SWITCH
a Honeywell Division
FED. MFG. CODE 91929

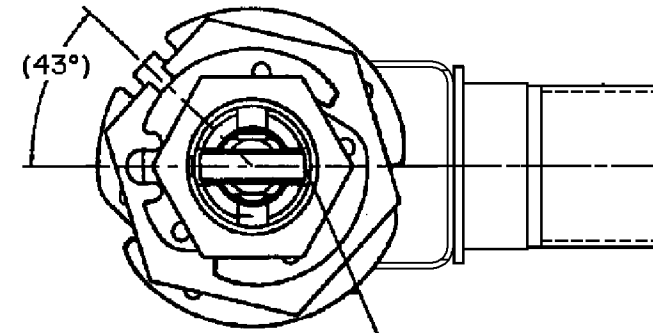
SWITCH - ENCLOSED

CATALOG LISTING
622EN237-R



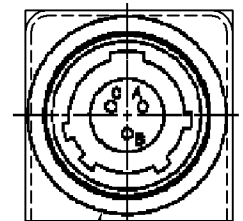
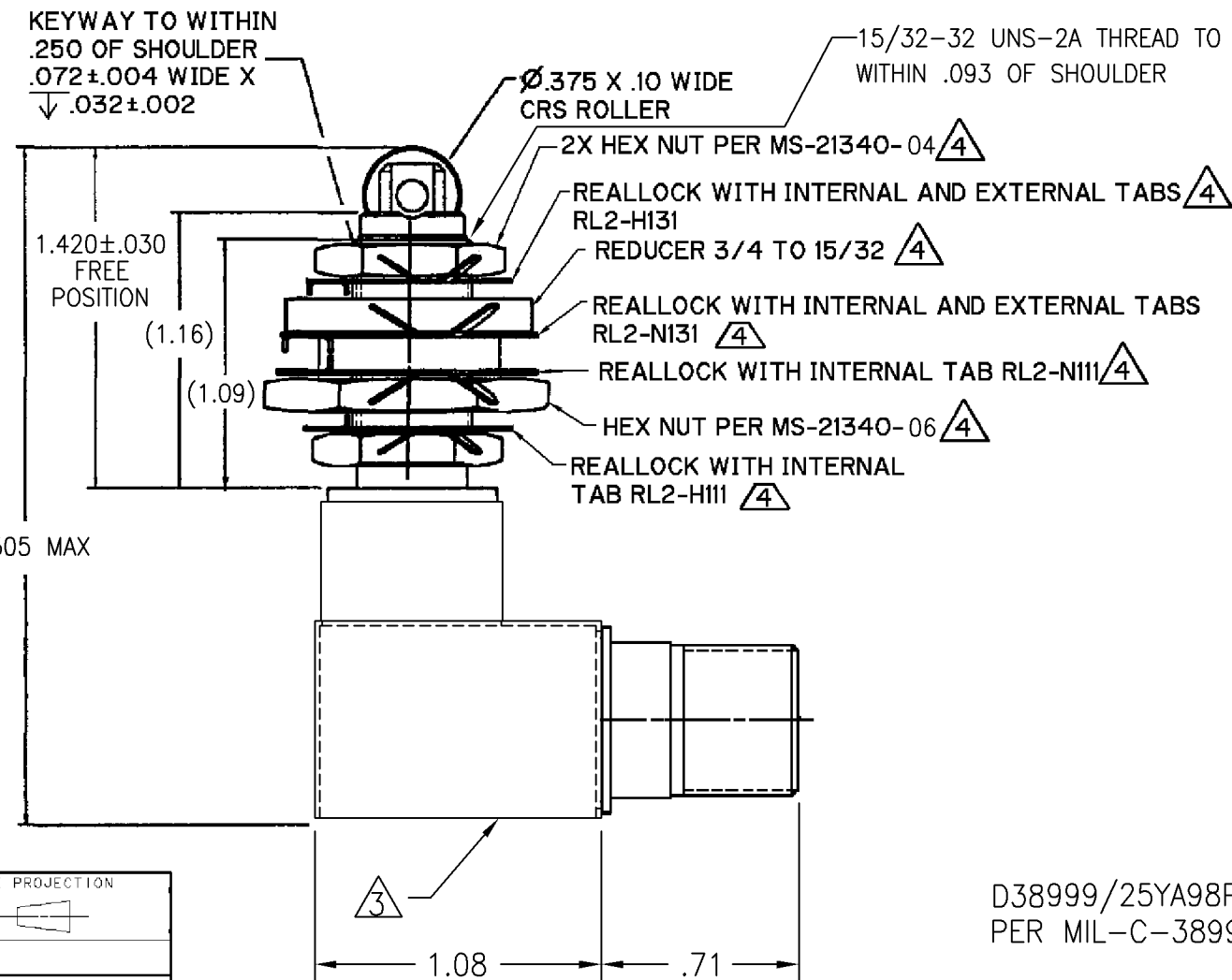
NOTES

- 1 - CORROSION RESISTANT STEEL ENCLOSURE
- 2 - SWITCH SEALED PER MIL-PRF-8805, SYMBOL 4
- 3 CIRCUIT DIAGRAM, CATALOG LISTING, AND DATE CODE ARE SHOWN ON NAMPLATE
- 4 HARDWARE MAY BE FURNISHED UNASSEMBLED PER MIL-PRF-8805
- 5 - TEMPERATURE: -67°F TO 260°F



ROLLER AT (43°) FROM REDUCER KEYWAY

WARNING- THIS PRODUCT IS SUBJECT TO THE U.S. INTERNATIONAL TRAFFIC IN ARMS REGULATIONS (ITAR), AND THE EXPORT CONTROL LAWS OF THE UNITED STATES. TRANSFER OF TECHNICAL DATA PERTAINING TO THIS PRODUCT BY ANY MEANS TO A FOREIGN PERSON PER ITAR DEFINITIONS. WHETHER IN THE UNITED STATES OR ABROAD, WITHOUT A PRIOR EXPORT LICENSE OR OTHER APPROVAL FROM THE U.S. DEPARTMENT OF STATE, IS PROHIBITED.



D38999/25YA98PN
PER MIL-C-38999

622EN237-R

CATALOG LISTING
PAGE 1 OF 1

ISSUE
M
C

REVISIONS

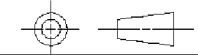
A	0006376	11 JUL 04
B	0007199	12 AUG 04
C	0012481	KSR 21 APR 05

CHECK
21 APR 05

DRAWN
TCC/AP
17 MAY 04

THIS DRAWING COVERS A PROPRIETARY ITEM AND IS THE PROPERTY OF MICRO SWITCH, A DIVISION OF HONEYWELL. THIS DRAWING IS NOT TO BE COPIED OR USED WITHOUT THE APPROVAL OF MICRO SWITCH

THIRD ANGLE PROJECTION



CHARACTERISTICS	
OPERATING FORCE	6 - 12 LBS
FULL OVERTRAVEL FORCE	30 LBS MAX
RELEASE FORCE	4 LBS MIN
PRETRAVEL	.040 MAX
DIFFERENTIAL TRAVEL	.020 MAX
OVERTRAVEL	.125 MIN

ELECTRICAL DATA		
CONTACT ARRANGEMENT 1 X S P D T		
LOAD (AMPS)	28 VDC	
	SEA LEVEL	50,000 FT
CONTACT	GOLD	GOLD
RESISTIVE	1	1
INDUCTIVE	.5	.5
MOTOR		

SCALE NONE	
DO NOT SCALE PRINT	
UNLESS OTHERWISE SPECIFIED TOLERANCES ARE	
ONE PLACE (.0)	±.030
TWO PLACE (.00)	±.015
THREE PLACE (.000)	±.005
ANGLES	±
WEIGHT	4.5 OZ MAX

ANSI Y14.5M-1982 APPLIES