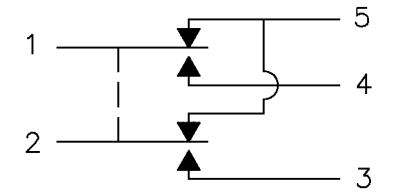


MICRO SWITCH
a Honeywell Division

FED. MFG. CODE 91929

SWITCH-ENCLOSED

CATALOG LISTING
622EN85-RB



CIRCUIT DIAGRAM

CATALOG LISTING
622EN85-RB

ISSUE
13

REVISIONS

A	OBS DWG CO-74988
B	REINST PR-23686
C	CO- 93851

CHECK

5 OCT 98	J A F
----------	-------

CHECK

5 OCT 98	J A F
----------	-------

DDM/CAD
DRAWN

REPLACES

RELEASE NO. PR-10681

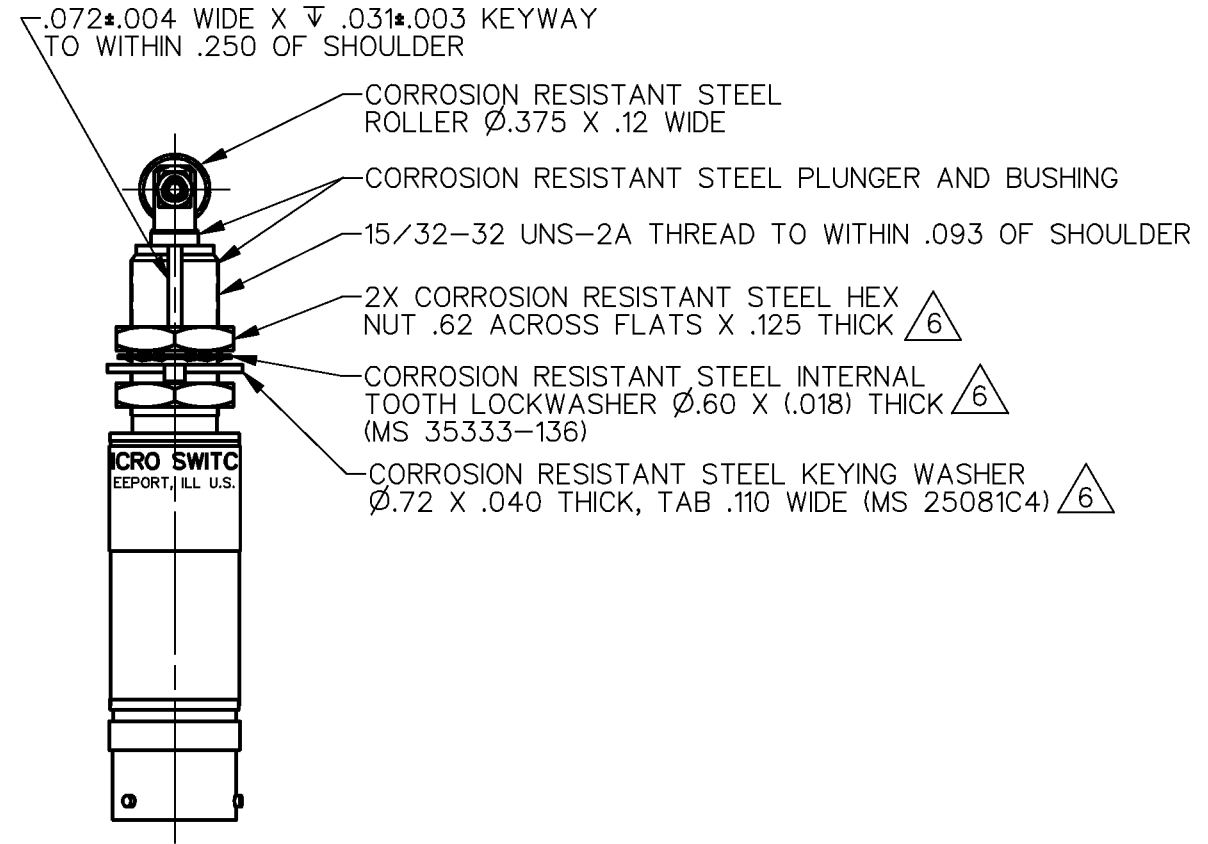
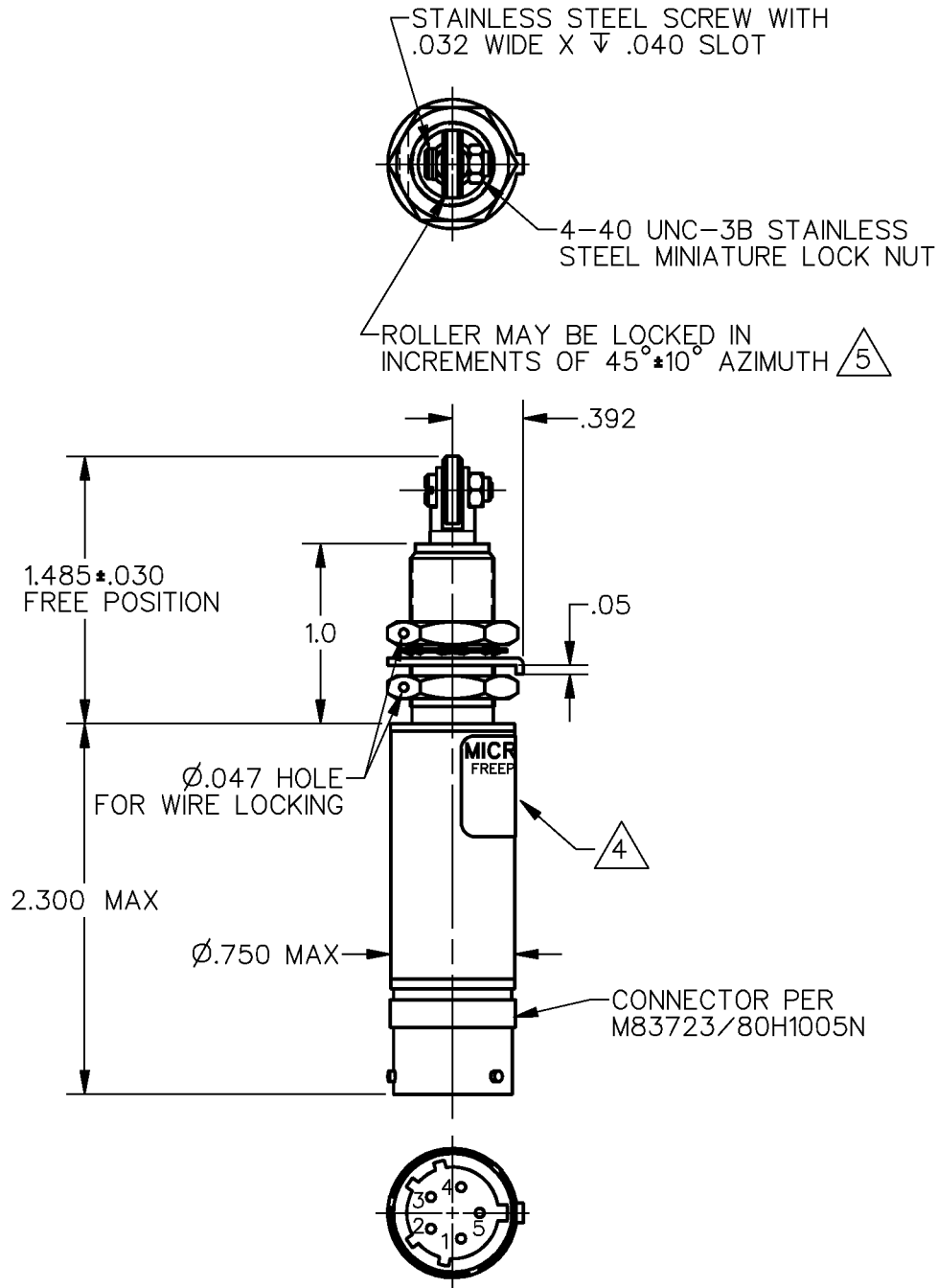
CHECK

CHECK

CHECK

CHECK

G R T 5 OCT 98



THIS DRAWING COVERS A PROPRIETARY ITEM AND IS THE PROPERTY OF MICRO SWITCH, A DIVISION OF HONEYWELL. THIS DRAWING IS NOT TO BE COPIED OR USED WITHOUT THE APPROVAL OF MICRO SWITCH

THIRD ANGLE PROJECTION

CHARACTERISTICS	ELECTRICAL DATA
OPERATING FORCE ——— 6-12 LB	CONTACT ARRANGEMENT 2X SPDT
FULL OVERTRAVEL FORCE --- 30 LB MAX	28 VDC
RELEASE FORCE ——— 4 LB MIN	SEA LEVEL 50,000 FT.
PRETRAVEL ——— .040 MAX	RES 7 7
DIFFERENTIAL TRAVEL — .020 MAX	IND 4 2.5
OVERTRAVEL ——— .125 MIN	MOTOR 4
	LAMP

ELECTRICAL DATA	
ONE PLACE	(.0) ± .030
TWO PLACE	(.00) ± .015
THREE PLACE	(.000) ± .005
ANGLES	±
WEIGHT	7 OZ MAX

SCALE FULL
DO NOT SCALE PRINT
UNLESS OTHERWISE SPECIFIED TOLERANCES ARE

NOTES

- 1 - CORROSION RESISTANT STEEL ENCLOSURE
- 2 - SWITCH SEALED PER MIL-S-8805 SYMBOL 4
- 3 - CONTACTS OPEN AND CLOSE WITHIN .010 OF PLUNGER TRAVEL
- 4 - CIRCUIT DIAGRAM, CATALOG LISTING, DATE CODE AND FEDERAL MANUFACTURING CODE ARE SHOWN ON NAMEPLATE
- 5 - TO ADJUST ROLLER DIRECTION REMOVE LOCK NUT, SCREW AND ROLLER. DEPRESS PLUNGER UNTIL IT CAN BE ROTATED TO DESIRED POSITION, RETURN TO FREE POSITION AND REASSEMBLE ROLLER
- 6 - HARDWARE MAY BE PACKAGED UNASSEMBLED PER MIL-S-8805

ANSI Y14.5M-1982 APPLIES