

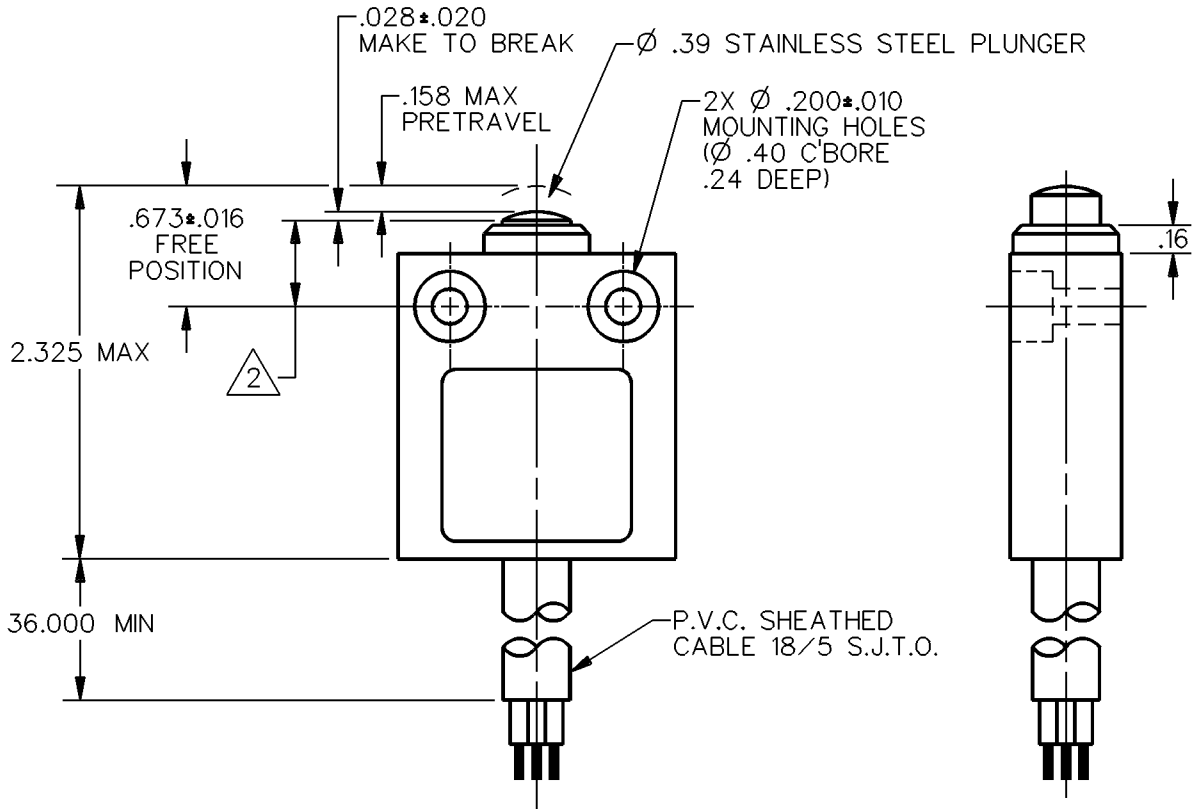
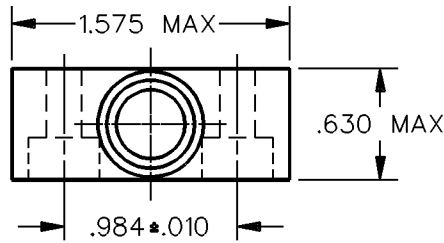
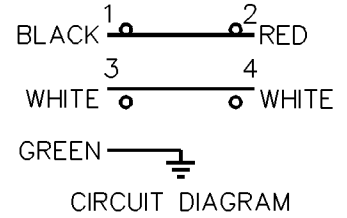
**MICRO SWITCH**  
a Honeywell Division

FED. MFG. CODE 91929

**MINIATURE PRECISION  
LIMIT SWITCH**

CATALOG LISTING

**924CE1-T3**



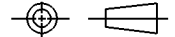
**NOTES**

- 1 - ZINC HOUSING FINISHED WITH GRAY PAINT
- 2 THE MINIMUM PLUNGER TRAVEL PAST BREAK, FOR A SAFE CONTACT GAP IS .060
- 3 - MAKE BEFORE BREAK CIRCUITRY

ANSI Y14.5M-1982 APPLIES

THIS DRAWING COVERS A PROPRIETARY ITEM AND IS THE PROPERTY OF MICRO SWITCH, A DIVISION OF HONEYWELL. THIS DRAWING IS NOT TO BE COPIED OR USED WITHOUT THE APPROVAL OF MICRO SWITCH.

THIRD ANGLE PROJECTION



CHARACTERISTICS	ELECTRICAL DATA	SCALE	FULL	DO NOT SCALE PRINT
		OPERATING FORCE — — — 5.1 LB MAX OVERTRAVEL — — — — .020 MIN	CONTACT ARRANGEMENT S P D T D B  10A-250 VAC 1/3HP-125 OR 250 VAC  	<b>UNLESS OTHERWISE SPECIFIED TOLERANCES ARE</b>
		ONE PLACE	(.0)	±.030
		TWO PLACE	(.00)	±.015
		THREE PLACE	(.000)	±.005
		ANGLES		±
		WEIGHT		

924CE1-T3  
 M  
 DRAWING NUMBER  
 2  
 ISSUE  
 REVISIONS  
 A CO-69061  
 S A V 29 AUG 91  
 CHECK  
 CHECK  
 DDM/CAD  
 DRAWN  
 S A V 29 AUG 91  
 CHECK  
 REPLACES  
 RELEASE NO. PR-14729