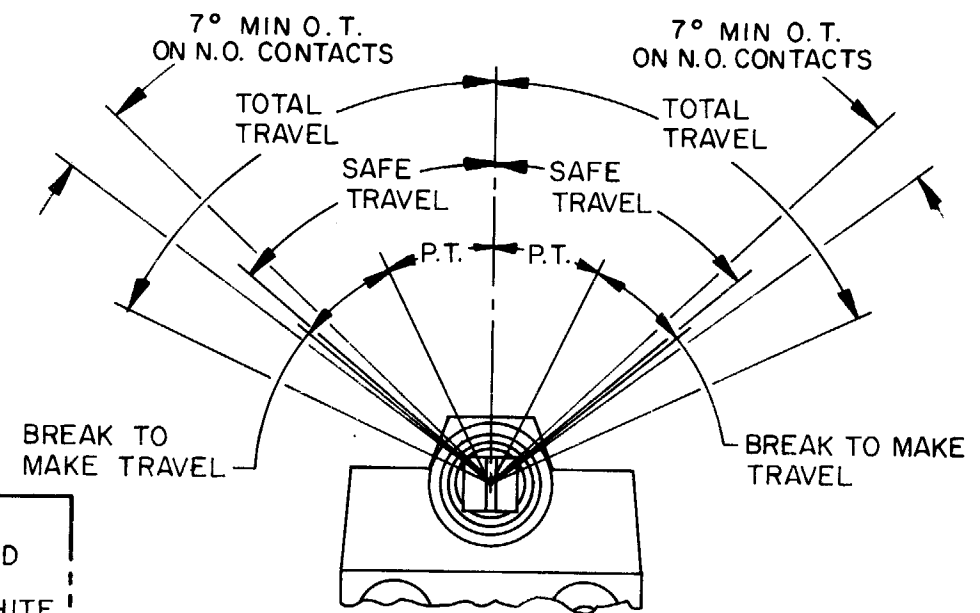
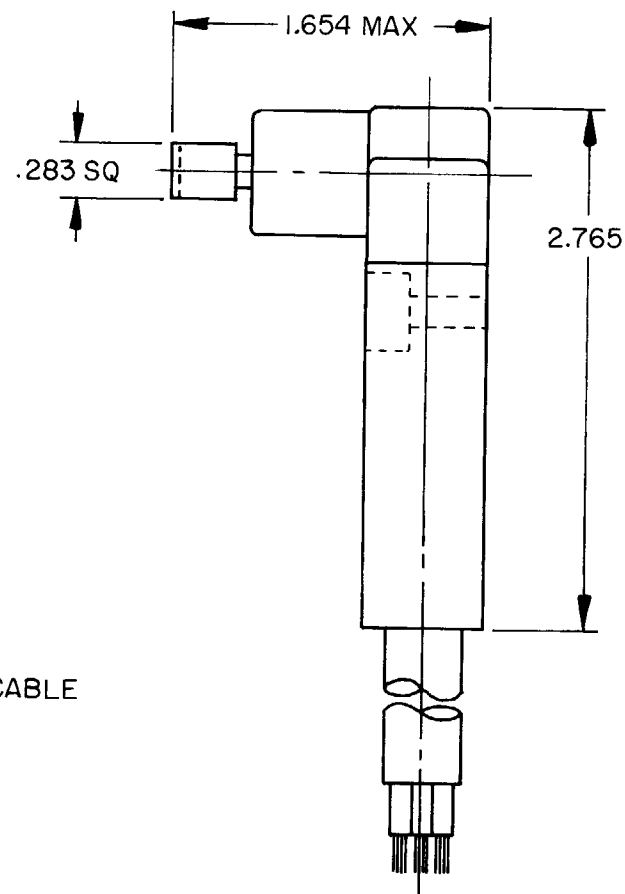
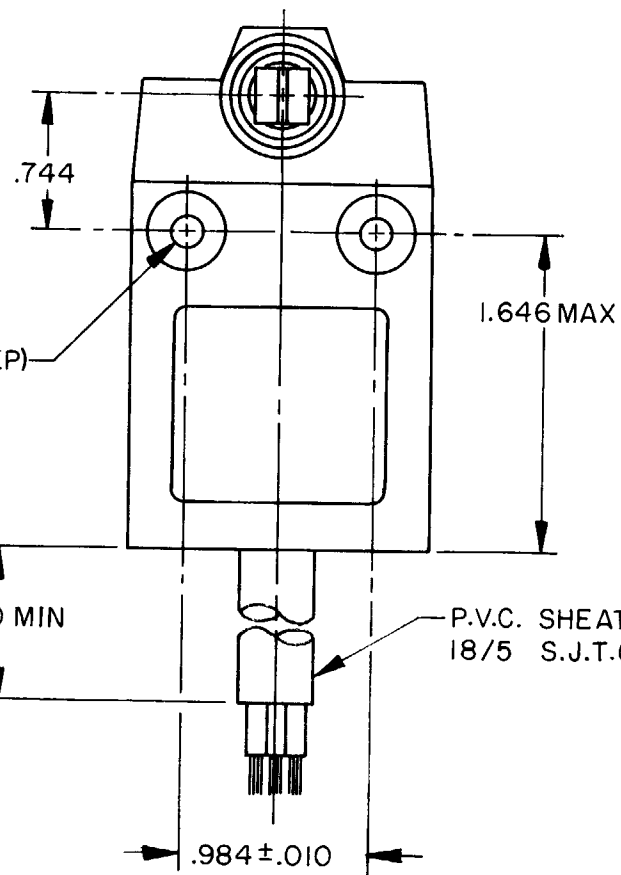
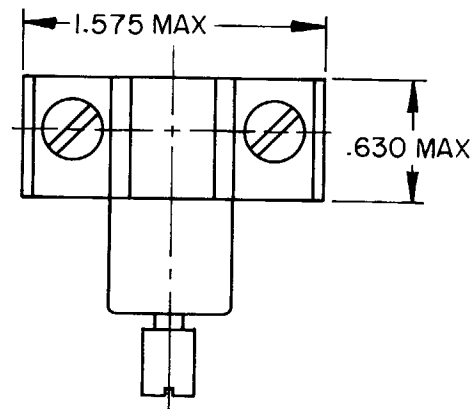


**MICRO SWITCH**  
 FREEPORT, ILLINOIS, U.S.A.  
 A DIVISION OF HONEYWELL  
 FED. MFG. CODE 91929

**SMALL PRECISION  
 LIMIT SWITCH**

CATALOG LISTING  
**924CE16-S3**

- NOTES**
- 1 - ZINC HOUSING FINISHED WITH GRAY PAINT
  - 2 - SWITCH WILL ACTUATE IN BOTH DIRECTIONS
  - 3 - SWITCH PROVIDES BREAK BEFORE MAKE CIRCUITRY



924CE16-S3

**M**

DRAWING NUMBER

**X2**

ISSUE

RELEASE NO. PR 14729

CHECK

REVISIONS

|   |           |
|---|-----------|
| A | C069061   |
|   | LJF       |
|   | 15 AUG 91 |

CHECK

CHECK

OCT 86

DRAWN

FO-5285 1-B

THIS DRAWING COVERS A PROPRIETARY ITEM AND IS THE PROPERTY OF MICRO SWITCH, A DIVISION OF HONEYWELL. THIS DRAWING IS NOT TO BE COPIED OR USED WITHOUT THE APPROVAL OF MICRO SWITCH.

| CHARACTERISTICS      |                 |
|----------------------|-----------------|
| OPERATING FORCE      | 2.62 IN. LB MAX |
| BREAK TO MAKE TRAVEL | 25° ± 7°        |
| PRETRAVEL            | 26° MAX         |
| TOTAL TRAVEL         | 65° MIN         |
| SAFE TRAVEL          | 50° MIN         |

| ELECTRICAL DATA                        |  |
|--|--|
| CONTACT ARRANGEMENT<br>S P D T D B     |  |
| 10A - 250 VAC<br>1/3 HP 125 OR 250 VAC |  |
|  |  |

|  |         |  |         |
|--|---------|--|---------|
| SCALE FULL   |         |  |         |
| DO NOT SCALE PRINT   |         |  |         |
| TOLERANCES   |         |  |         |
| APPLY TO DESIGN UNITS. CONVERSIONS ARE ONLY FOR REFERENCE. UNLESS NOTED, TOLERANCES ARE: |         |  |         |
| DIM.   | TOL.    | DIM.   | TOL.    |
| mm   | mm/in   | in   | mm/in   |
| NO PLACES  | X       | 1/04   |         |
| ONE PLACE  | X,X     | 0.04/0.16  | X,X     |
| TWO PLACES   | X,X,X   | 0.15/0.004                                       | X,X,X   |
| THREE PLACES   | X,X,X,X |  | X,X,X,X |
| ANGLES   |         |  |         |
| DESIGN UNITS   |         | US CUSTOMARY                                     |         |
| <input type="checkbox"/> METRIC  |         | <input checked="" type="checkbox"/> US CUSTOMARY |         |
| THIRD ANGLE PROJECTION   |         |  |         |
|  |         |  |         |
| WEIGHT   |         |  |         |

