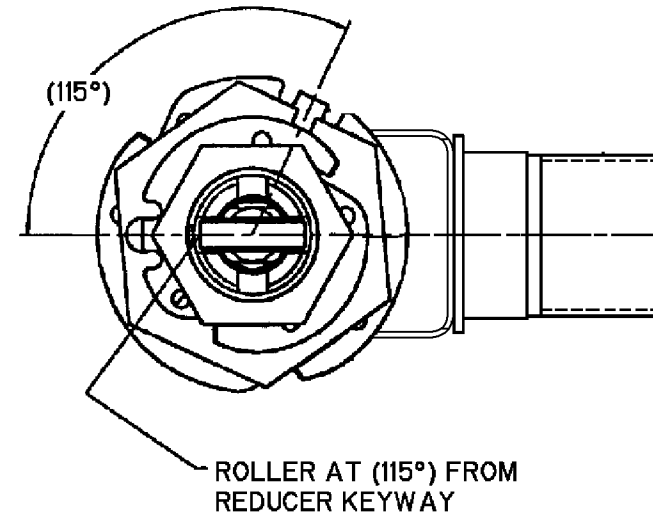
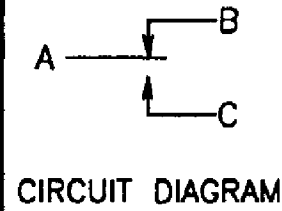


**MICRO SWITCH**  
a Honeywell Division  
FED. MFG. CODE 91929

**SWITCH - ENCLOSED**

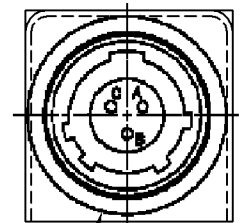
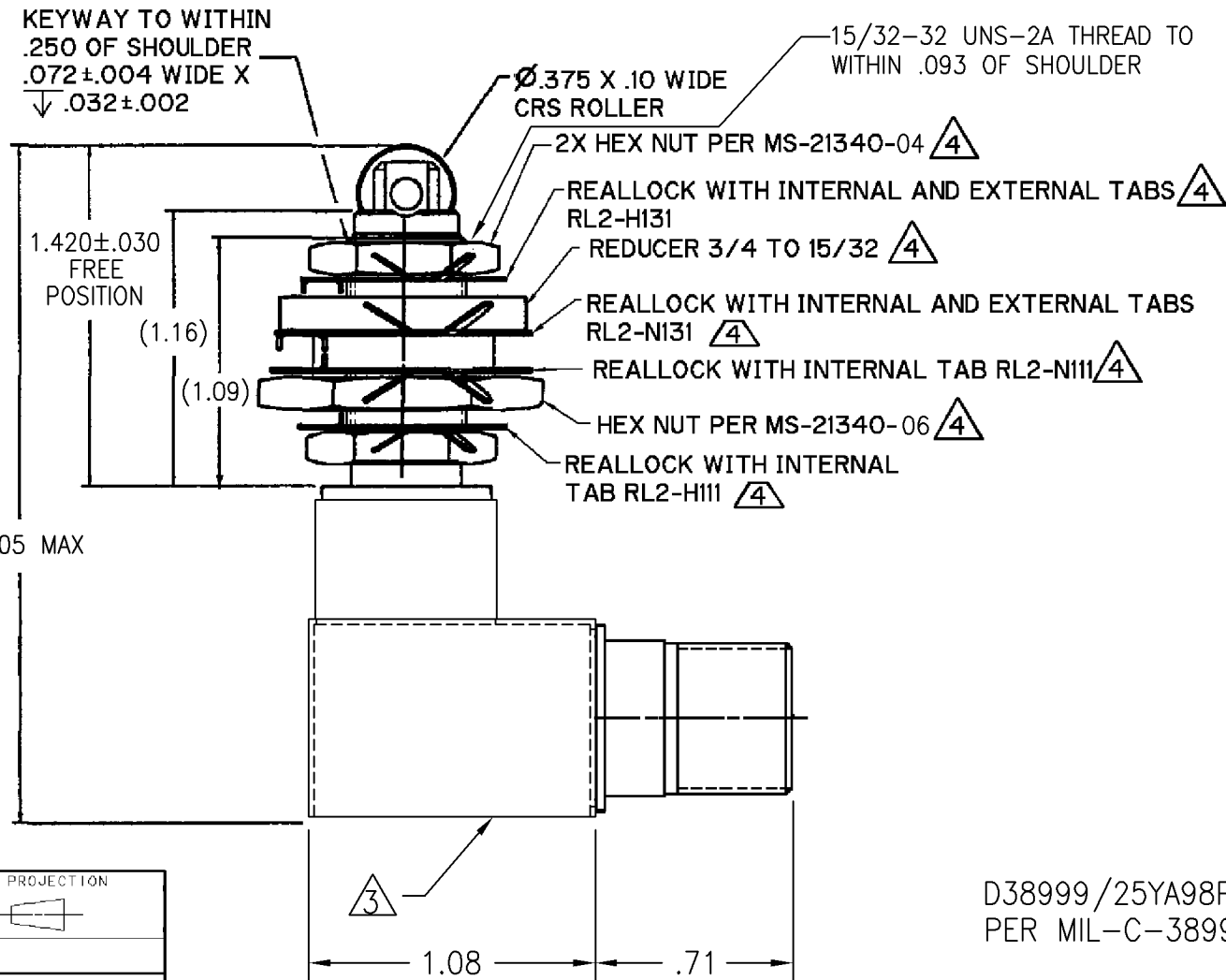
CATALOG LISTING  
622EN235-R



WARNING- THIS PRODUCT IS SUBJECT TO THE U.S. INTERNATIONAL TRAFFIC IN ARMS REGULATIONS (ITAR), AND THE EXPORT CONTROL LAWS OF THE UNITED STATES. TRANSFER OF TECHNICAL DATA PERTAINING TO THIS PRODUCT BY ANY MEANS TO A FOREIGN PERSON PER ITAR DEFINITIONS, WHETHER IN THE UNITED STATES OR ABROAD, WITHOUT A PRIOR EXPORT LICENSE OR OTHER APPROVAL FROM THE U.S. DEPARTMENT OF STATE, IS PROHIBITED.

**NOTES**

- 1 - CORROSION RESISTANT STEEL ENCLOSURE
- 2 - SWITCH SEALED PER MIL-PRF-8805, SYMBOL 4
- 3 CIRCUIT DIAGRAM, CATALOG LISTING, AND DATE CODE ARE SHOWN ON NAMPLATE
- 4 HARDWARE MAY BE FURNISHED UNASSEMBLED PER MIL-PRF-8805
- 5 - TEMPERATURE: -67°F TO 260°F



D38999/25YA98PN  
PER MIL-C-38999

CATALOG LISTING  
622EN235-R

REPLACES  
PAGE 1 OF 1  
RELEASE NO.

ISSUE  
M  
C

REVISIONS

A	0006376	11 JUL 04
B	0007199	12 AUG 04
C	0010423	19 JAN 05

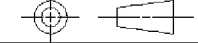
CHECK

CHECK

RASTER  
DRAWN  
TCC/AP  
17 MAY 04

THIS DRAWING COVERS A PROPRIETARY ITEM AND IS THE PROPERTY OF MICRO SWITCH, A DIVISION OF HONEYWELL. THIS DRAWING IS NOT TO BE COPIED OR USED WITHOUT THE APPROVAL OF MICRO SWITCH

THIRD ANGLE PROJECTION



SCALE NONE

DO NOT SCALE PRINT

CHARACTERISTICS	
OPERATING FORCE	6 - 12 LBS
FULL OVERTRAVEL FORCE	30 LBS MAX
RELEASE FORCE	4 LBS MIN
PRETRAVEL	.040 MAX
DIFFERENTIAL TRAVEL	.020 MAX
OVERTRAVEL	.125 MIN

ELECTRICAL DATA		
CONTACT ARRANGEMENT		
1 X S P D T		
LOAD (AMPS)	28 VDC	
	SEA LEVEL	50,000 FT
CONTACT	GOLD	GOLD
RESISTIVE	1	1
INDUCTIVE	.5	.5
MOTOR		

UNLESS OTHERWISE SPECIFIED TOLERANCES ARE	
ONE PLACE (.0)	±.030
TWO PLACE (.00)	±.015
THREE PLACE (.000)	±.005
ANGLES	±
WEIGHT	4.5 OZ MAX

ANSI Y14.5M-1982 APPLIES