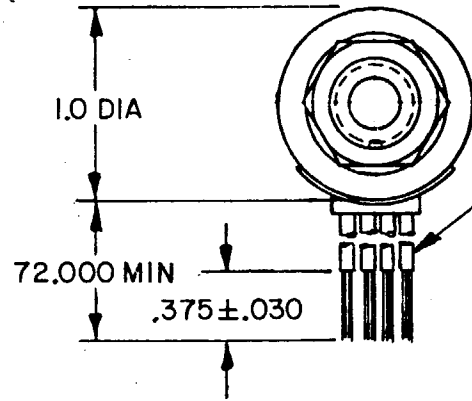
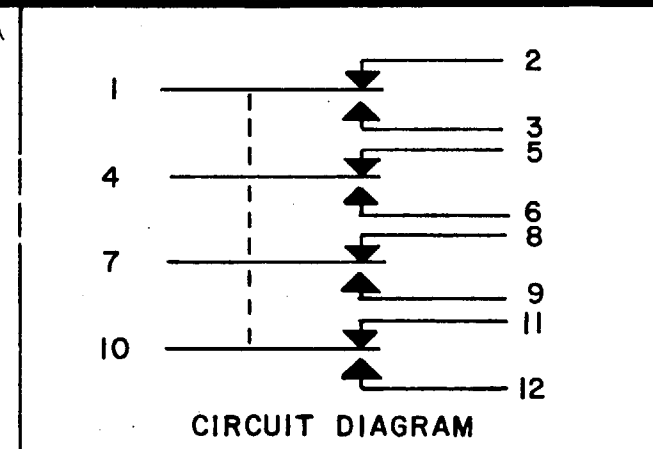


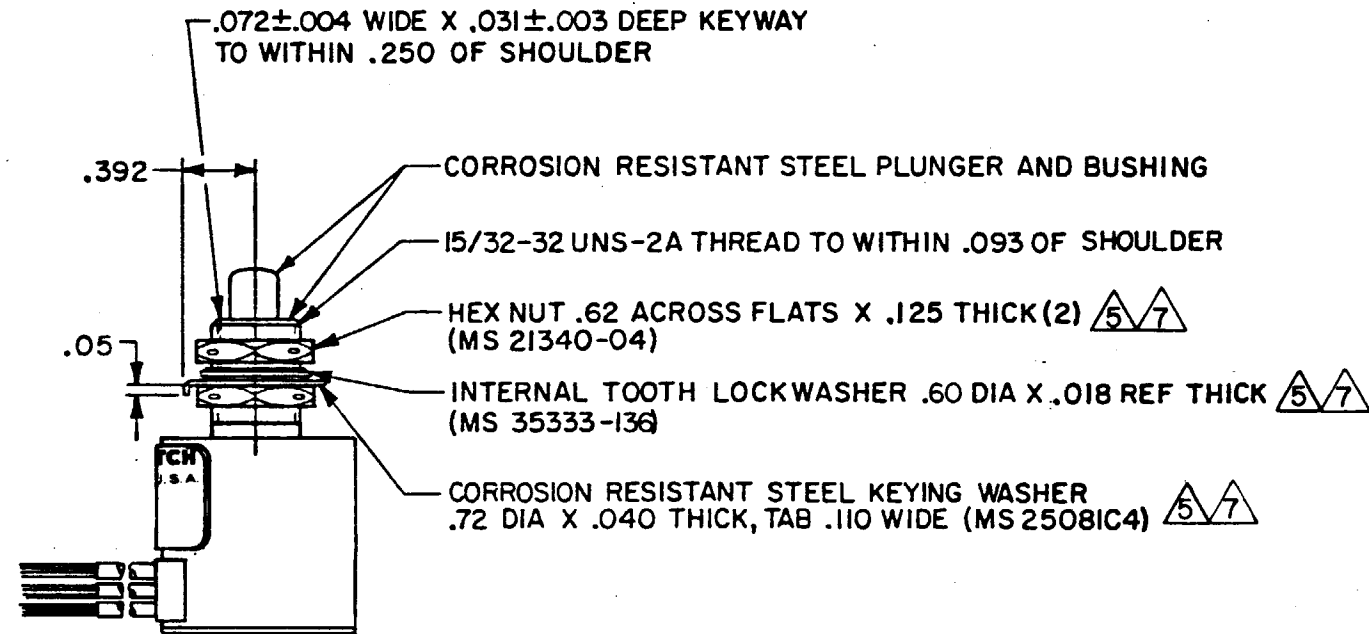
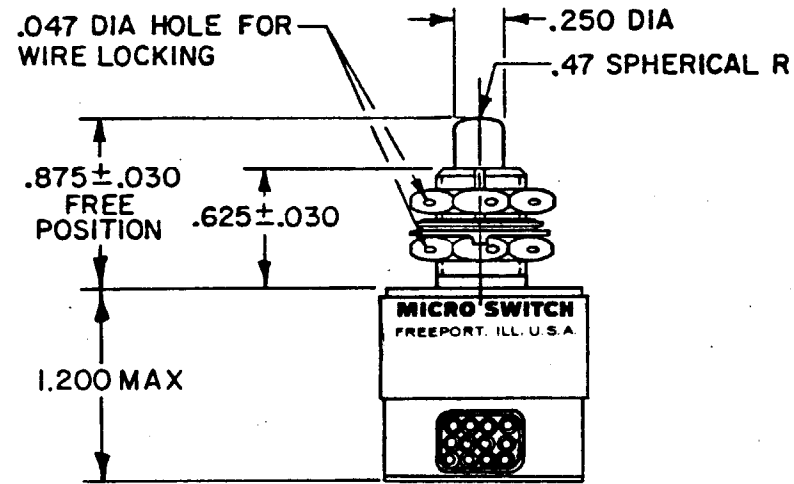
MICRO SWITCH
 FREEPORT, ILLINOIS, U.S.A.
 A DIVISION OF HONEYWELL
 FED. MFG. CODE 91829

SWITCH-ENCLOSED

CATALOG LISTING
604EN51-6

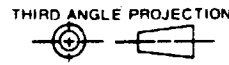


(12) NO. 20 WIRE LEAD PER MIL-W-22759/7 MARKED WITH IDENTIFICATION AND WIRE GAGE (1-20, 2-20, ETC) PER MIL-W-5088



604EN51-6
 M
 DRAWING NUMBER
 3
 ISSUE
 REVISIONS
 A PR 16895
 B G S
 9 NOV 88
 B CO
 75 6/2 B
 WES
 16 AUG 93
 CHECK
 DJS 10 NOV 88
 CHECK
 9 NOV 88
 BGS
 DRAWN
 FO-8285 1-A

THIS DRAWING COVERS A PROPRIETARY ITEM AND IS THE PROPERTY OF MICRO SWITCH, A DIVISION OF HONEYWELL. THIS DRAWING IS NOT TO BE COPIED OR USED WITHOUT THE APPROVAL OF MICRO SWITCH.



SCALE FULL
 DO NOT SCALE PRINT

CHARACTERISTICS		ELECTRICAL DATA	
OPERATING FORCE	3-6 LB	CONTACT ARRANGEMENT	
FULL OVERTRAVEL FORCE	17 LB MAX	S P D T (4)	
RELEASE FORCE	2 LB MIN	LOAD	28 VDC
PRETRAVEL	.040 MAX		SEA LEVEL
DIFFERENTIAL TRAVEL	.020 MAX	RES	7
OVERTRAVEL	.125 MIN	IND	4
		MOTOR	4
		WEIGHT .85 LB	

UNLESS OTHERWISE SPECIFIED TOLERANCES ARE
 ONE PLACE (.0) ± .030
 TWO PLACE (.00) ± .015
 THREE PLACE (.000) ± .005
 ANGLES ±

RAW MATERIAL-COMMERCIAL STANDARD
 MICRO SWITCH STANDARDS APPLY
 DIMENSIONS ARE TO BE MET BEFORE
 PROTECTIVE COATINGS ARE APPLIED

- NOTES
- 1 - CORROSION RESISTANT STEEL ENCLOSURE
 - 2 - SWITCH SEALED PER MIL-S-8805 SYMBOL 4
 - 3 - COINCIDENCE OF OPERATING AND RELEASING POINTS: .010 INCH OF PLUNGER TRAVEL
 - 4 - CIRCUIT DIAGRAM AND CATALOG LISTING ARE SHOWN ON NAMEPLATE
- 5 - REPLACEMENT MOUNTING HARDWARE - PACKET 19PA9
 6 - APPLICATION INFORMATION ONLY
 7 - HARDWARE MAY BE PACKAGED UNASSEMBLED PER MIL-S-8805