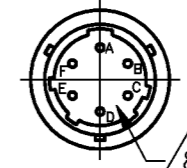


**MICRO SWITCH**  
a Honeywell Division

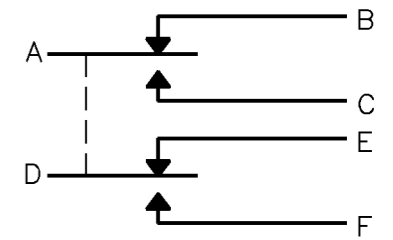
FED. MFG. CODE 91929

SWITCH — ENCLOSED

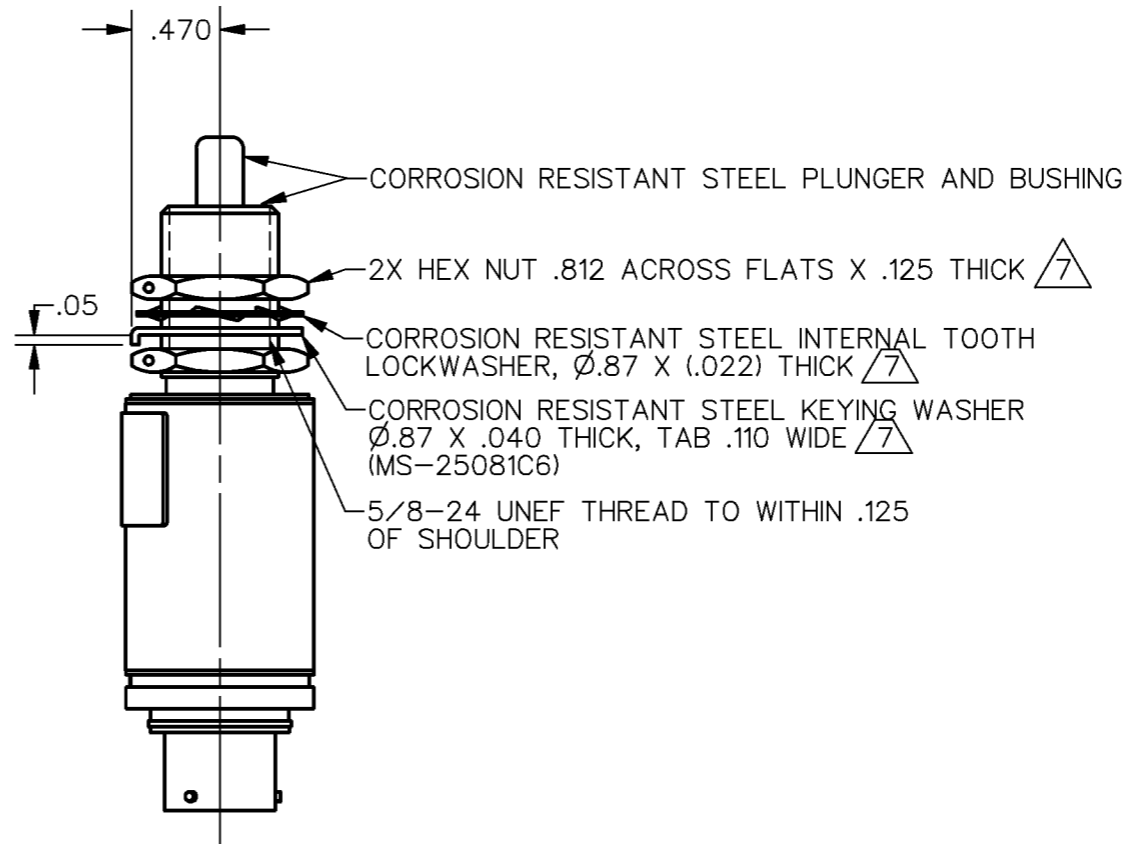
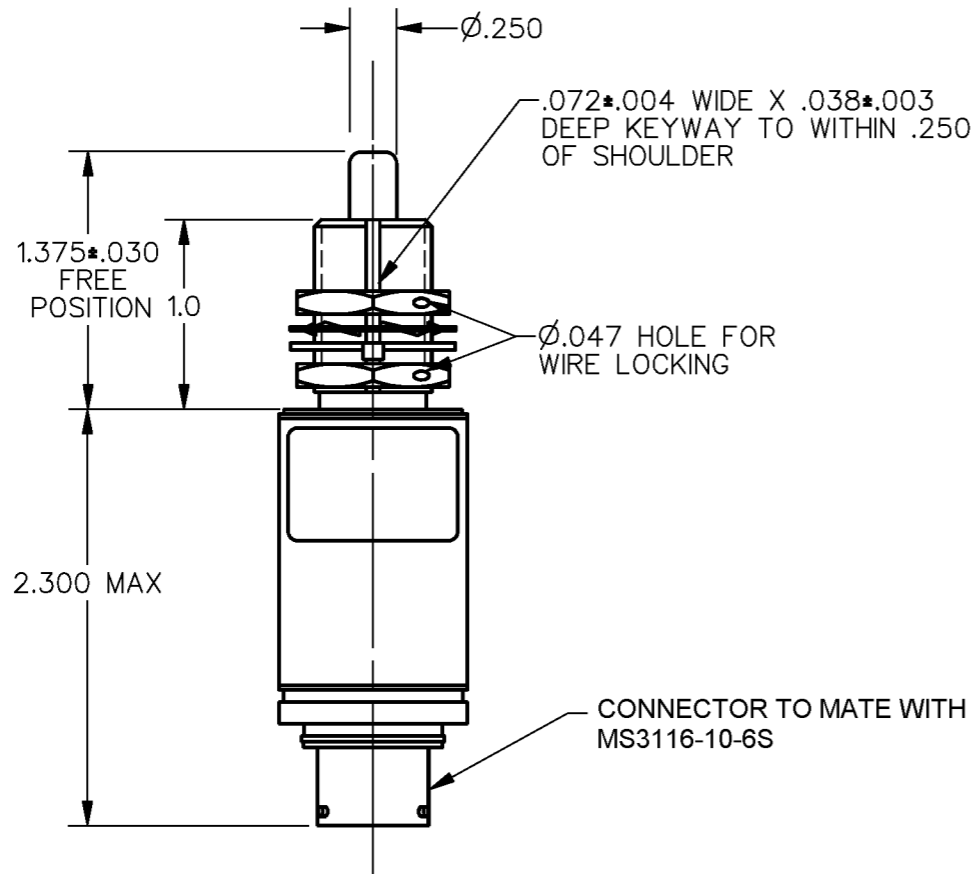
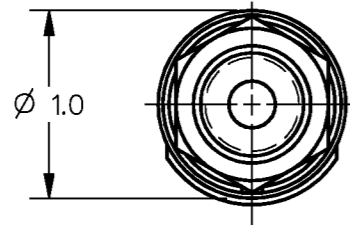
CATALOG LISTING  
1HE44-RB



RECEPTACLE  
DETAIL



CIRCUIT DIAGRAM



CATALOG LISTING  
1HE44-RB

PAGE 1 OF 1

ISSUE  
11

REVISIONS			
A	OBS.	0068450	
B	REINST.	PR19824	
C	CO-	81044B	
D	CO-	93970	
E	CO-	0044462	

RELEASE NO. PR-19824 REPLACES

CHECK BLR 07OCT08

CHECK BLR 27JUN92

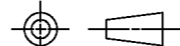
CHECK A W 27JUN92

CHECK D A W 27JUN92

RASTER  
DRAWN  
S A V 27JAN92

THIS DRAWING COVERS A PROPRIETARY ITEM AND IS THE PROPERTY OF MICRO SWITCH, A DIVISION OF HONEYWELL. THIS DRAWING IS NOT TO BE COPIED OR USED WITHOUT THE APPROVAL OF MICRO SWITCH

THIRD ANGLE PROJECTION



CHARACTERISTICS	ELECTRICAL DATA
OPERATING FORCE ——— 6-12 LB	CONTACT ARRANGEMENT 2X S P D T
FULL OVERTRAVEL FORCE --- 30 LB MAX	LOAD
RELEASE FORCE ——— 4 LB MIN	RES
PRETRAVEL ——— .040 MAX	IND
DIFFERENTIAL TRAVEL ——— .020 MAX	MOTOR
OVERTRAVEL ——— .250 MIN	

28 VDC	
SEA LEVEL	100,000 FT.
5	5
3	3
4	4

SCALE FULL
DO NOT SCALE PRINT
<b>UNLESS OTHERWISE SPECIFIED TOLERANCES ARE</b>
ONE PLACE (.0) ±.030
TWO PLACE (.00) ±.015
THREE PLACE (.000) ±.005
ANGLES ±
WEIGHT 5.5 OZ MAX

NOTES

- 1 - CORROSION RESISTIVE STEEL ENCLOSURE NO. 15193 PER FED. STD. 595
  - 2 - SWITCH SEALED PER MIL-PRF-8805 SYMBOL 5
  - 3 - CIRCUIT DIAGRAM, DATE CODE, FED. MFG. CODE AND CATALOG LISTING ARE SHOWN ON NAMEPLATE
  - 4 - FOR OPERATION IN TEMPERATURES OF -65°F TO +257°F
  - 5 - PLUNGER SEAL MATERIAL E.P. RUBBER
  - 6 - COINCIDENCE OF OPERATING AND RELEASING POINTS: .010 INCH OF PLUNGER TRAVEL
- $\triangle 7$  HARDWARE MAY BE PACKAGED UNASSEMBLED PER MIL-PRF-8805
- $\triangle 8$  INTERFACIAL SEAL

ANSI Y14.5M-1982 APPLIES