

MICRO SWITCH
 FREEPORT ILLINOIS U.S.A.
 A DIVISION OF HONEYWELL
 FED. MFG. CODE 91928

SWITCH-ENCLOSED

CATALOG LISTING
604EN7-6

604EN7-6

M

DRAWING NUMBER

ISSUE

15

CHECK

REVISIONS

A CO 44351

5 GLH MAR 80

B CO47573

7 J A P AUG 80

C CO49806

D J W 28 SEPT 81

D CO57370

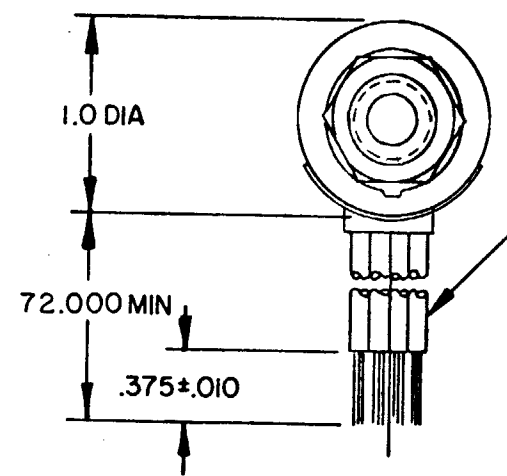
T A D 15 MAY 85

CHECK

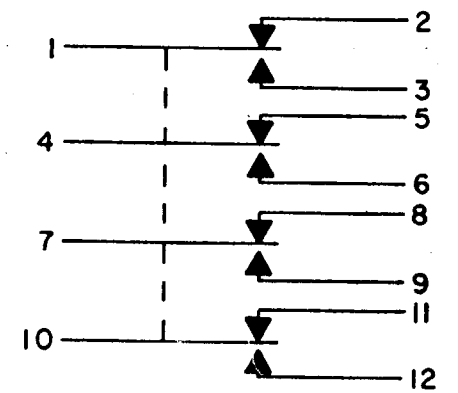
5 MAR 80

FO-52811-A

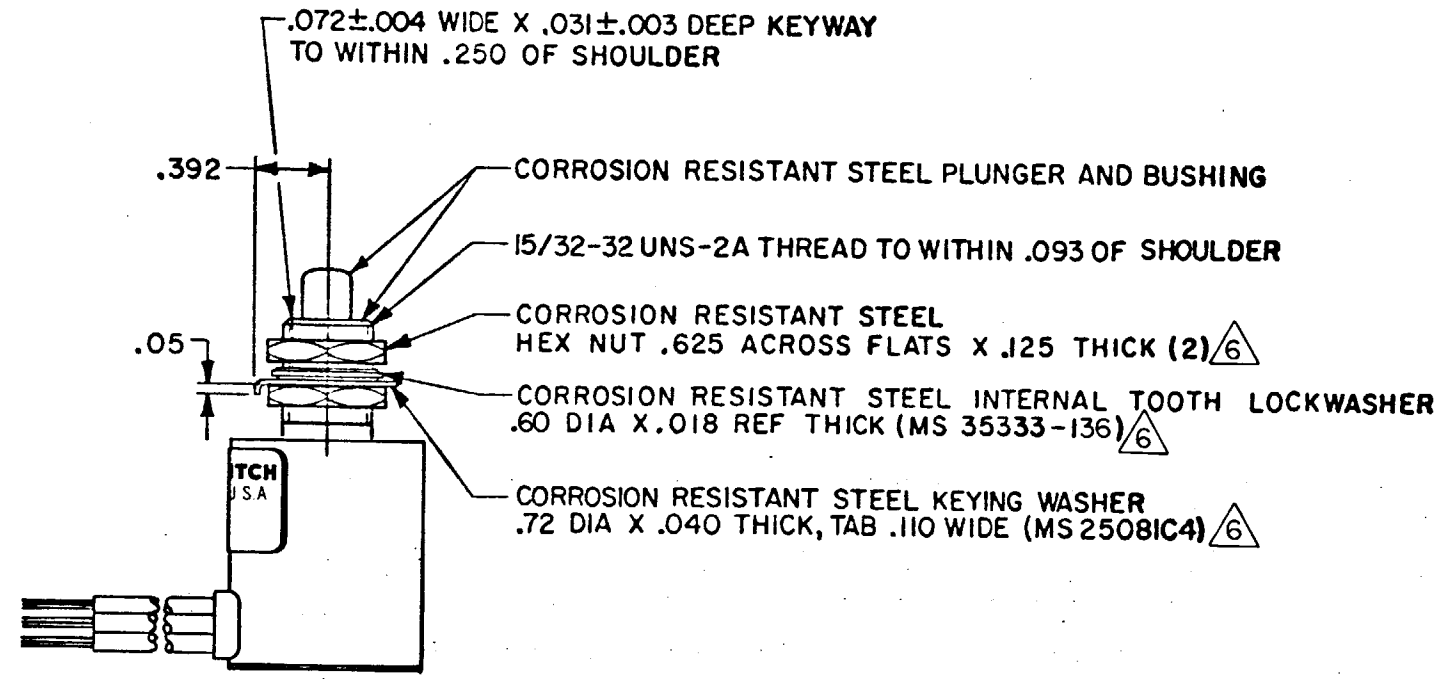
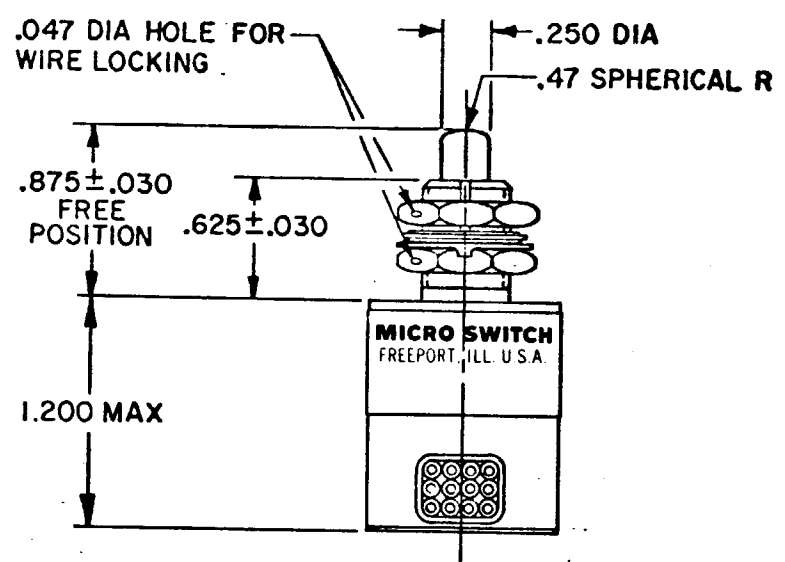
RELEASE NO. SR-12721



NO. 20 WIRE LEAD PER MIL-W-22759/7
 MARKED WITH CIRCUIT IDENTIFICATION
 AND WIRE GAGE (1-20, 2-20, ECT.) PER MIL-W-5088 (12)



CIRCUIT DIAGRAM



- NOTES**
- 1 - CORROSION RESISTANT STEEL ENCLOSURE
 - 2 - SWITCH SEALED PER MIL-S-8805 SYMBOL 4
 - 3 - CIRCUIT DIAGRAM AND CAT. LIST. ARE SHOWN ON NAMEPLATE
 - 4 - COINCIDENCE OF OPERATING AND RELEASING POINTS: .010 OF PLUNGER TRAVEL
 - 5 - FLUOROSILICONE "O" RING SEAL
 - 6 - HARDWARE MAY BE PACKAGED UNASSEMBLED PER MIL-S-8805

THIS DRAWING COVERS A PROPRIETARY ITEM AND IS THE PROPERTY OF MICRO SWITCH, A DIVISION OF HONEYWELL. THIS DRAWING IS NOT TO BE COPIED OR USED WITHOUT THE APPROVAL OF MICRO SWITCH.

THIRD ANGLE PROJECTION

SCALE FULL	
DO NOT SCALE PRINT	
TOLERANCES	
APPLY TO DESIGN UNITS. CONVERSIONS ARE ONLY FOR REFERENCE. UNLESS NOTED, TOLERANCES ARE 2	
DIM.	TOL.
mm	mm/in
NO PLACES	X
ONE PLACE	X, X
TWO PLACES	X, XX
THREE PLACES	X, XXX
ANGLES	
	0.01/0.015
	0.15/0.005
	0.01/0.005
	0.25/0.015
	0.12/0.005
DESIGN UNITS	BY METRIC <input type="checkbox"/> US CUSTOMARY <input checked="" type="checkbox"/>
RAW MATERIAL-COMMERCIAL STANDARD	
MICRO SWITCH STANDARDS APPLY	
DIMENSIONS ARE TO BE MET BEFORE PROTECTIVE COATINGS ARE APPLIED	
WEIGHT	13.1 OZ MAX

CHARACTERISTICS		ELECTRICAL DATA			
OPERATING FORCE	6-12 LB	CONTACT ARRANGEMENT			
FULL OVERTRAVEL FORCE	30 LB MAX	SPDT (4)			
RELEASE FORCE	4 LB MIN	LOAD	28 VDC		
PRETRAVEL	.040 MAX			SEA LEVEL	50,000 FT.
DIFFERENTIAL TRAVEL	.020 MAX			RES	7
OVERTRAVEL	.125 MIN			IND	4
				MOTOR	4
		LAMP			