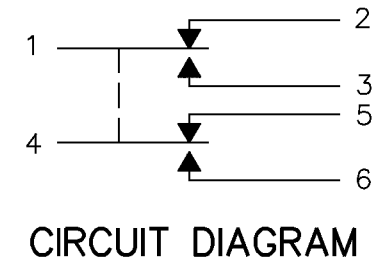


MICRO SWITCH
a Honeywell Division

FED. MFG. CODE 91929

SWITCH-ENCLOSED

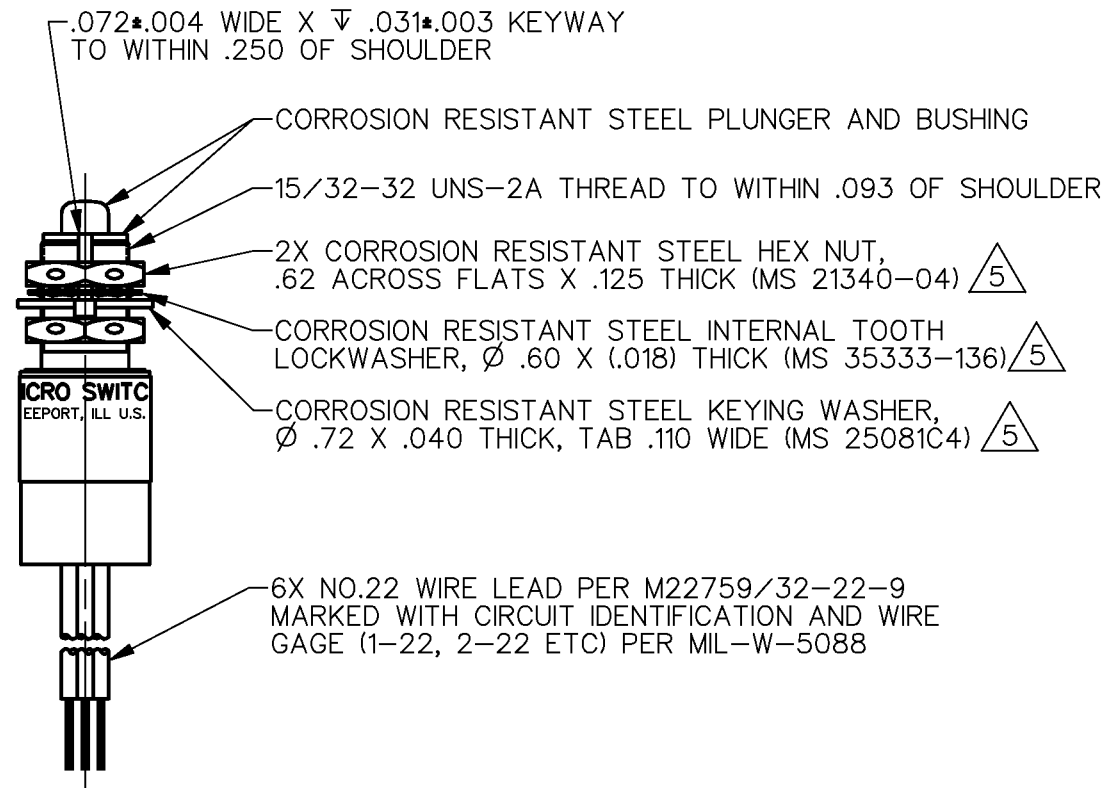
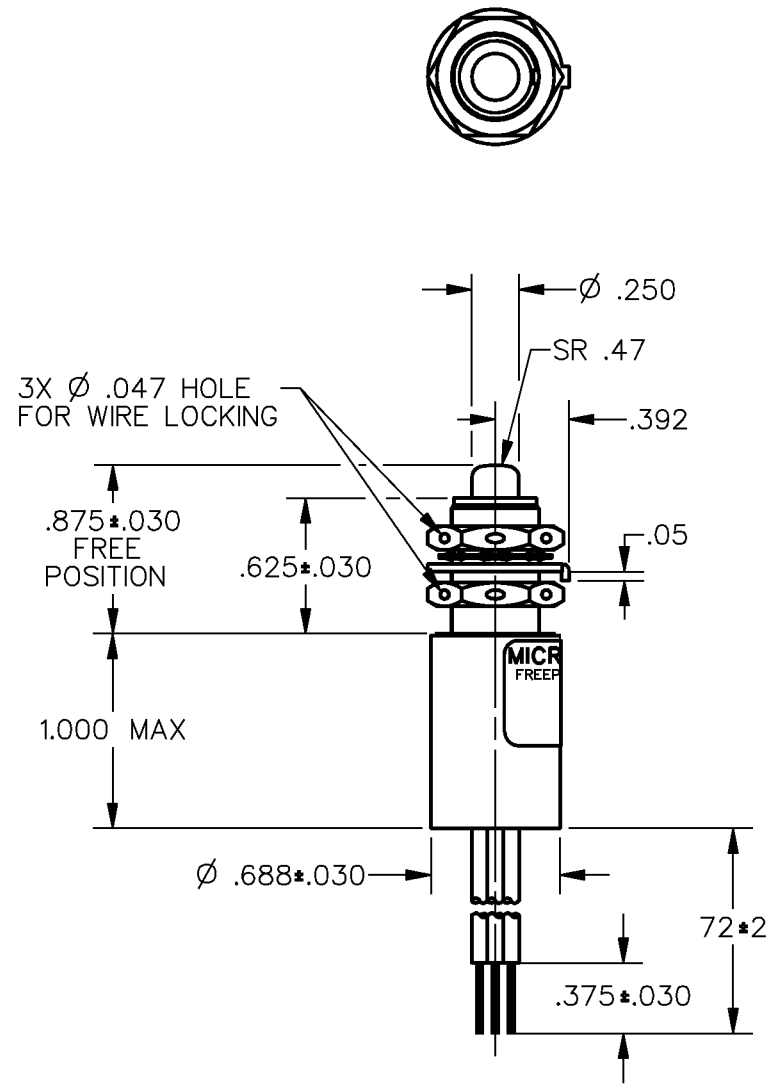
CATALOG LISTING
602EN226-6B



CATALOG LISTING
602EN226-6B
PAGE 1 OF 1
ISSUE **M**
3

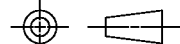
REVISIONS
A PR-22349
JJA 5 SEP 96
B CO-84732
MAM 25 JUL 97

DDM/CAD
DRAWN
JJA 4 SEP 96
CHECK
JAF 5 SEP 96
CHECK
JAF 5 SEP 96
CHECK
PR-22349
REPLACES



THIS DRAWING COVERS A PROPRIETARY ITEM AND IS THE PROPERTY OF MICRO SWITCH, A DIVISION OF HONEYWELL. THIS DRAWING IS NOT TO BE COPIED OR USED WITHOUT THE APPROVAL OF MICRO SWITCH

THIRD ANGLE PROJECTION



CHARACTERISTICS	
OPERATING FORCE	6 -12 LB
FULL OVERTRAVEL FORCE	30 LB MAX
RELEASE FORCE	4 LB MIN
PRETRAVEL	.040 MAX
DIFFERENTIAL TRAVEL	.020 MAX
OVERTRAVEL	.125 MIN

ELECTRICAL DATA		
CONTACT ARRANGEMENT		
2X S P D T		
LOAD	28 VDC 7	
	SEA LEVEL	50,000 FT.
RES	1 AMP	1 AMP
IND	0.5 AMP	0.5 AMP

SCALE FULL	
DO NOT SCALE PRINT	
UNLESS OTHERWISE SPECIFIED TOLERANCES ARE	
ONE PLACE	(.0) ±.030
TWO PLACE	(.00) ±.015
THREE PLACE	(.000) ±.005
ANGLES	±
WEIGHT	0.4 LB MAX

NOTES

- 1 - CORROSION RESISTANT STEEL ENCLOSURE
- 2 - SWITCH SEALED PER MIL-S-8805 SYMBOL 4
- 3 - COINCIDENCE OF OPERATING AND RELEASING POINTS: .010 OF PLUNGER TRAVEL
- 4 - CIRCUIT DIAGRAM, CATALOG LISTING AND DATE CODE AND FEDERAL MFG. CODE 91929 ARE SHOWN ON NAMEPLATE
- 5 - HARDWARE MAY BE PACKAGED UNASSEMBLED PER MIL-S-8805
- 6 - NOTED ELECTRICAL RATINGS APPLY AS SPECIFIED IN MIL-S-8805/43 UP TO +185°F
- 7 - BASIC SWITCHES HAVE GOLD CONTACTS

ANSI Y14.5M-1982 APPLIES