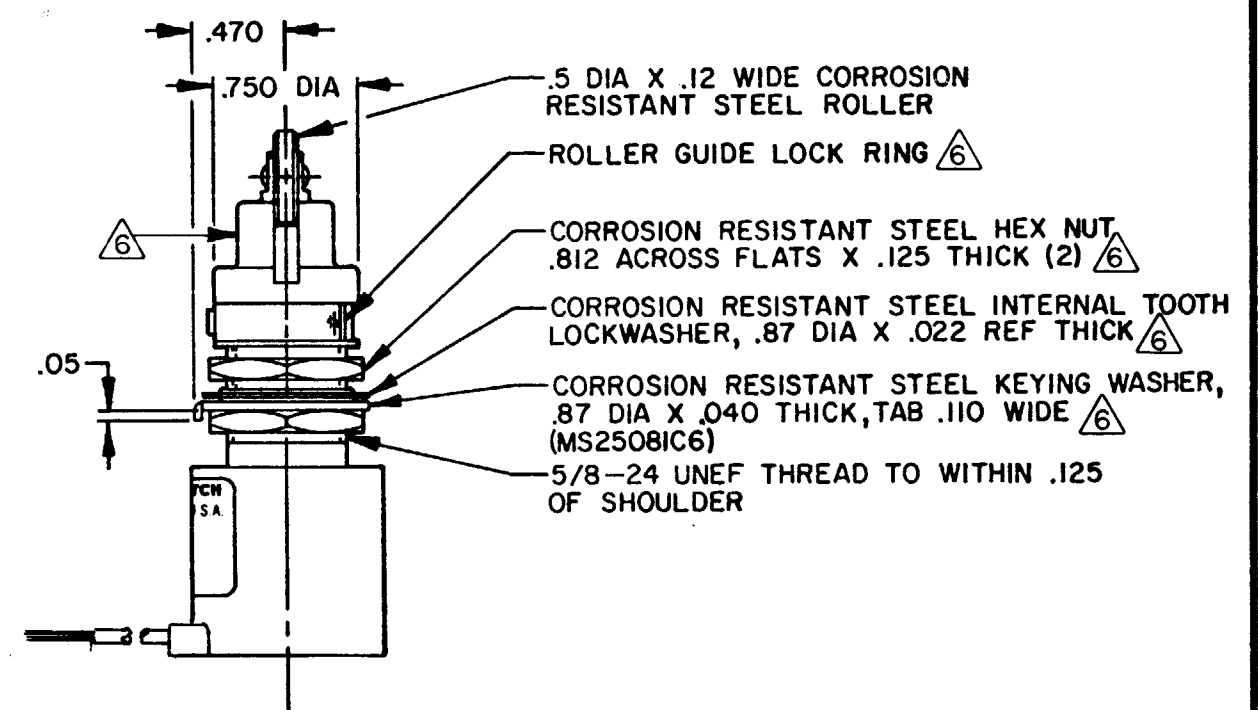
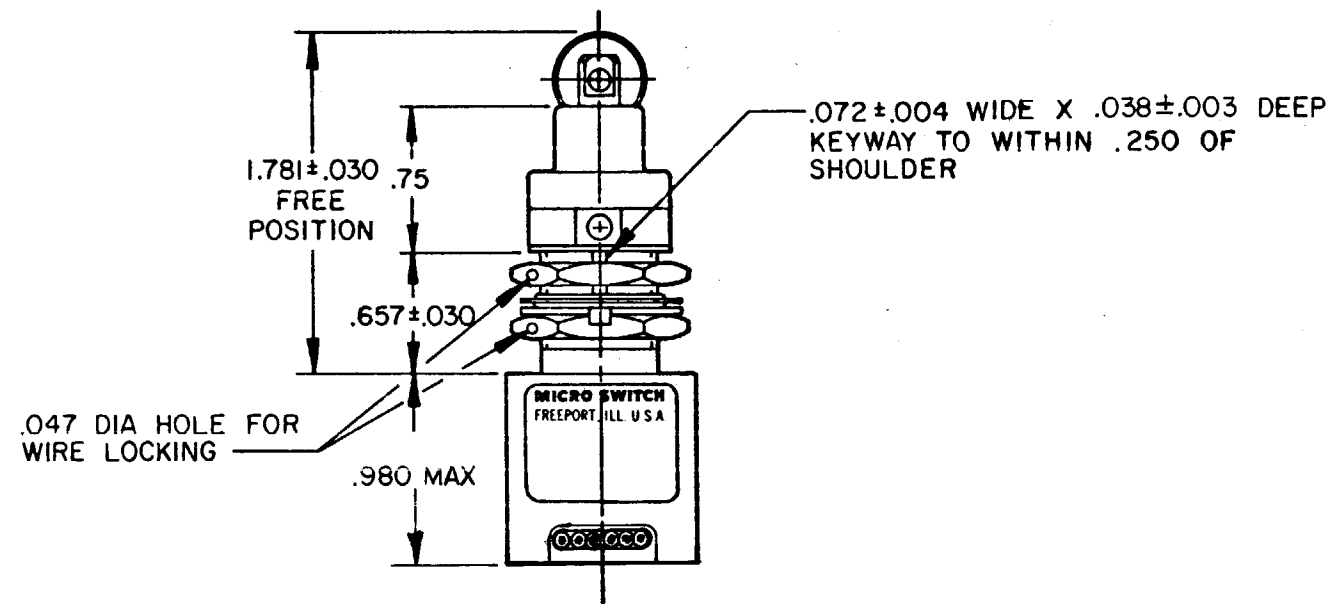
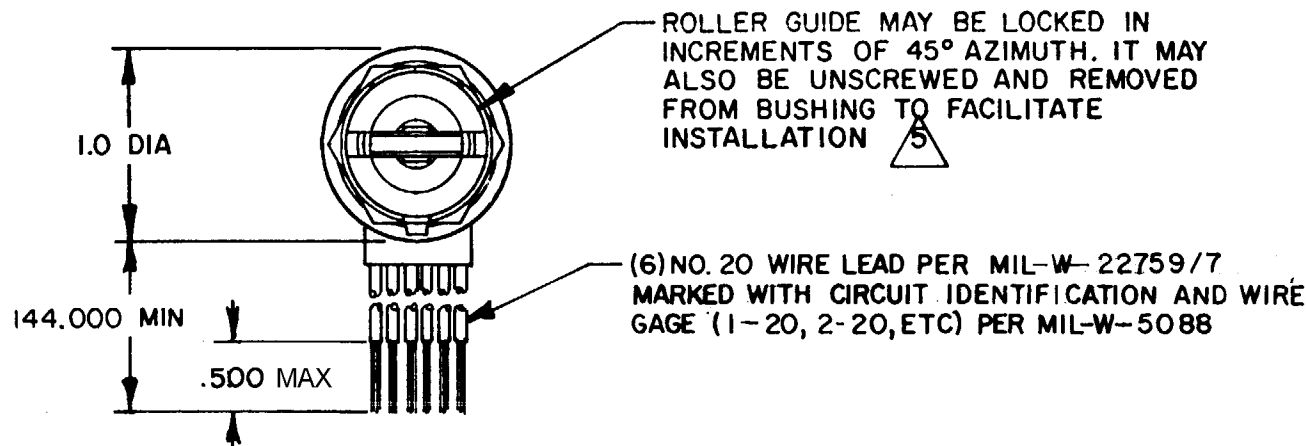
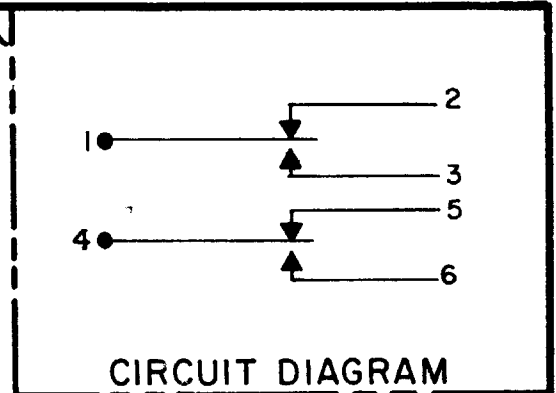


MICRO SWITCH
 FREEPORT ILLINOIS U.S.A.
 A DIVISION OF HONEYWELL
 FED. MFG. CODE 91929

SWITCH - ENCLOSED

CATALOG LISTING
21EN9-12



21EN9-12
 M
 DRAWING NUMBER
 13
 ISSUE
 13
 REVISIONS
 A GO 44331
 G J W 12 SEP 79
 B PR8705
 W J M 28 APR 80
 C CO47573 PART 4
 R J H 7 AUG 80
 D CO51725C
 K A G 19 JAN 83
 E CO57370
 J A P 15 MAY 85
 F CO74101
 G J W 16 JAN 93
 G CO 77504A
 L J F 12 MAR 94
 H 0061116
 M B H 04 FEB 10
 RASTER FO-5285 1-A
 DRAWN
 G J W 12 SEP 79
 CHECK C E B 13 SEPT 79
 CHECK CMH 04 FEB 10
 REPLACES PR-8705
 CHECK

THIS DRAWING COVERS A PROPRIETARY ITEM AND IS THE PROPERTY OF MICRO SWITCH, A DIVISION OF HONEYWELL. THIS DRAWING IS NOT TO BE COPIED OR USED WITHOUT THE APPROVAL OF MICRO SWITCH.		THIRD ANGLE PROJECTION	SCALE FULL
DO NOT SCALE PRINT		TOLERANCES APPLY TO DESIGN UNITS. CONVERSIONS ARE ONLY FOR REFERENCE. UNLESS NOTED, TOLERANCES ARE ±	
CHARACTERISTICS		ELECTRICAL DATA	
OPERATING FORCE ----- 6-12 LB		CONTACT ARRANGEMENT SPDT (2)	
FULL OVERTRAVEL FORCE ----- 30-LB MAX		28 VDC	
RELEASE FORCE ----- 4 LB MIN		LOAD	SEA LEVEL 50,000 FT.
PRETRAVEL ----- .040 MAX		RES	4 4
DIFFERENTIAL TRAVEL ----- .020 MAX		IND	2 2
OVERTRAVEL ----- .250 MIN		MOTOR	4
		LAMP	
		WEIGHT 11.5 OZ MAX	

- NOTES**
- 1 - CORROSION RESISTANT STEEL ENCLOSURE
 - 2 - SWITCH SEALED PER MIL-PRF-8805 SYMBOL 4
 - 3 - CIRCUIT IDENTIFICATION AND CATALOG LISTING ARE SHOWN ON NAMEPLATE
 - 4 - COINCIDENCE OF OPERATING AND RELEASING POINTS: .010 OF PLUNGER TRAVEL
 - 5 - TO ADJUST ROLLER DIRECTION, REMOVE ROLLER GUIDE LOCK RING, SCREW ROLLER GUIDE DOWN AS FAR AS POSSIBLE, THEN UNSCREW TO DESIRED DIRECTION. SECURE BY REPLACING ROLLER GUIDE LOCK RING
 - 6 - HARDWARE MAY BE PACKAGED UNASSEMBLED PER MIL-PRF-8805