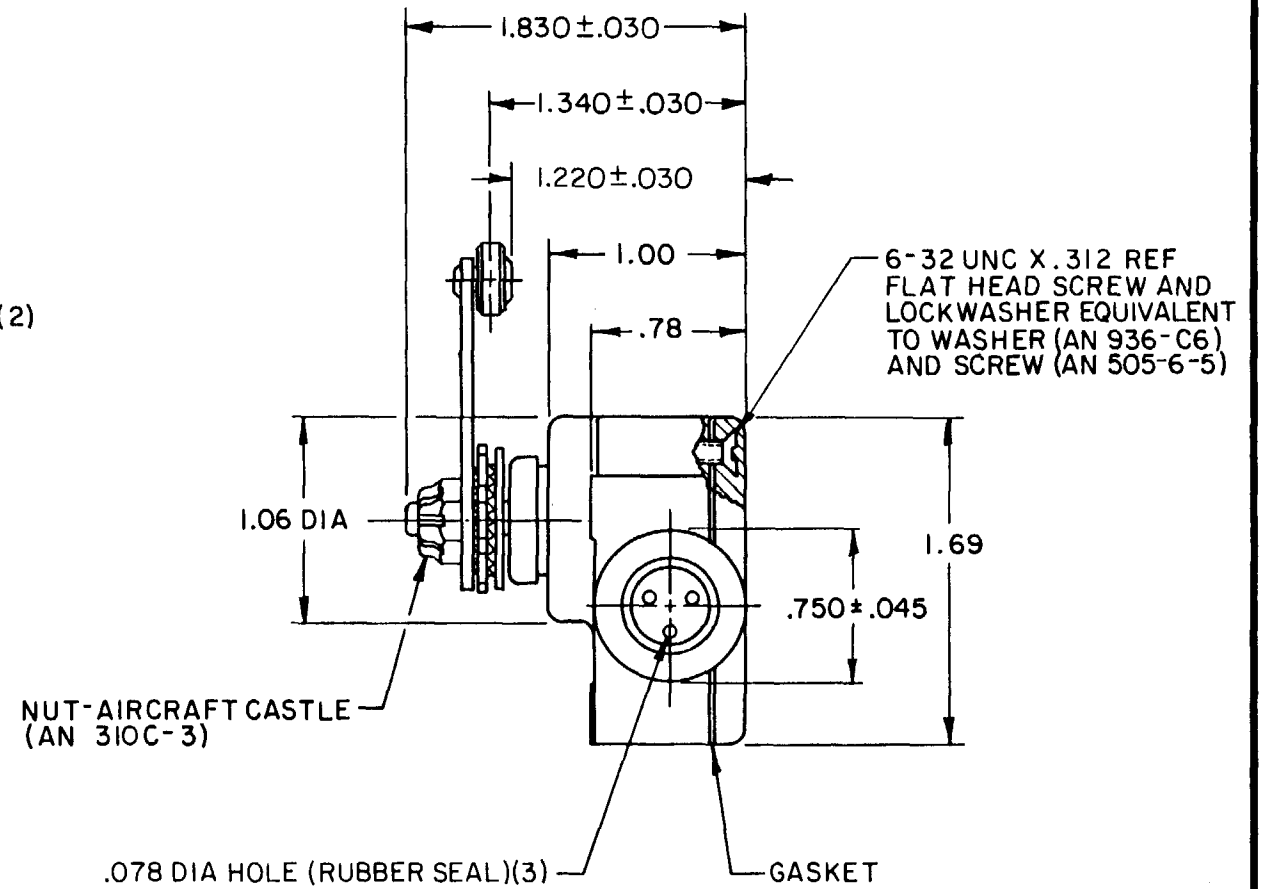
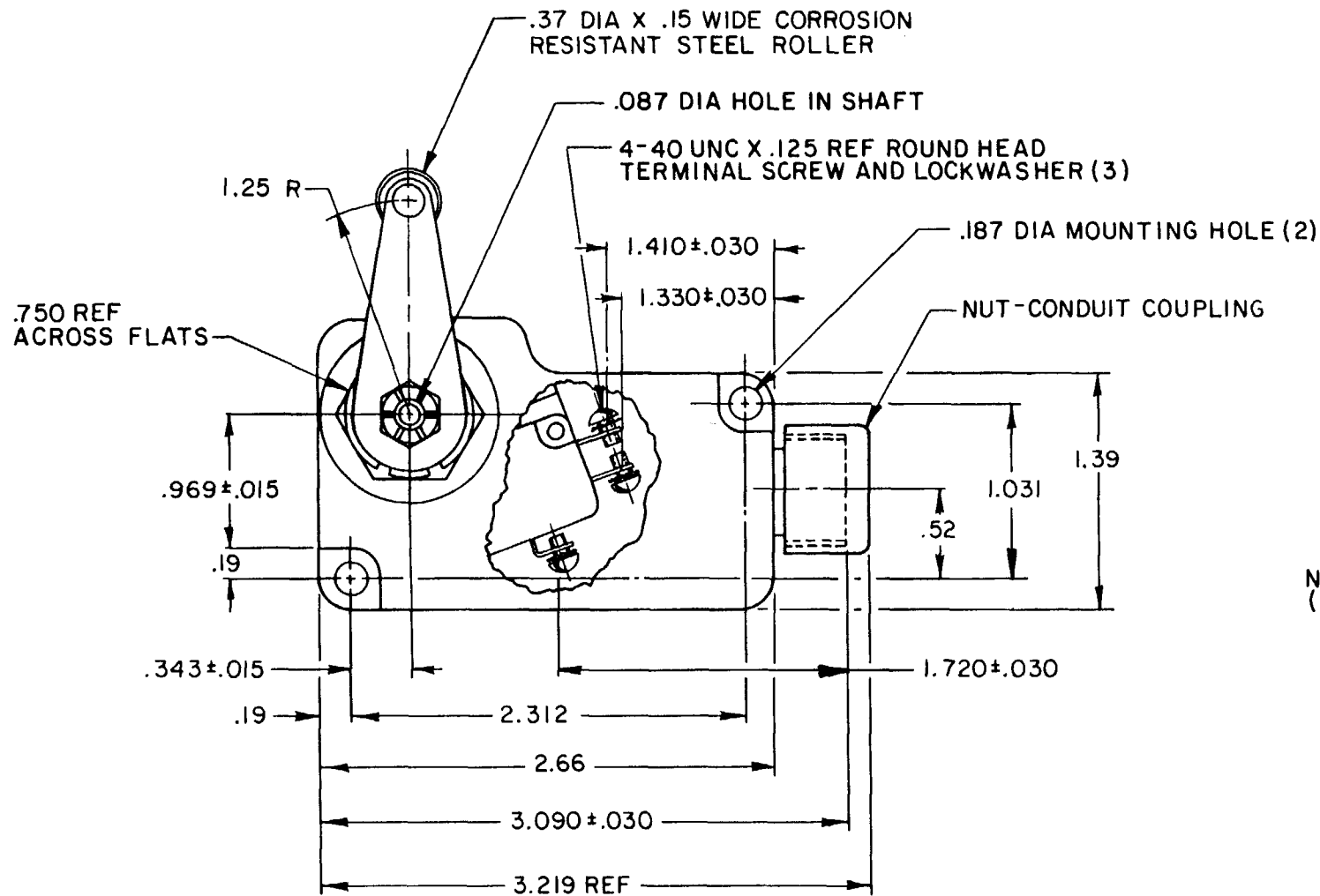


MICRO SWITCH
 FREEPORT, ILLINOIS, U.S.A.
 A DIVISION OF HONEYWELL
 FED. MFG. CODE 91889

SWITCH - ENCLOSED

CATALOG LISTING
1VA43

DRAWING NUMBER: **M 1VA43**
 ISSUE: **5**
 REVISIONS:
 A NEW DWG CO59912 WJM OCT 86
 B 204537 JAH 12 DEC 01
 CHECK: RRS 18 OCT 80
 CHECK: GWH 19 OCT 86
 DRAWN: WJM 11 OCT 86
 RASTER



NOTES

- 1 - UNIT INCLUDES (1) CAT. LIST. V3-26 SWITCH
- 2 - ALUMINUM ALLOY ENCLOSURE ZINC PHOSPHATE COATED AND FINISHED WITH ONE COAT PRIMER
- 3 - LEVER ARM MAY BE POSITIVELY LOCKED AT INTERVALS OF APPROX 0.2° (1980 POSITIONS)
- 4 - TOTAL TRAVEL OF LEVER IS APPROX 90° IN EITHER DIRECTION WITH SPRING RETURN TO NEUTRAL
- 5 - SWITCH WILL PERFORM SATISFACTORILY IN TEMPERATURE TO MINUS 65°F

THIS DRAWING COVERS A PROPRIETARY ITEM AND IS THE PROPERTY OF MICRO SWITCH, A DIVISION OF HONEYWELL. THIS DRAWING IS NOT TO BE COPIED OR USED WITHOUT THE APPROVAL OF MICRO SWITCH.

CHARACTERISTICS	
OPERATING FORCE	-----1/2 - 1 1/2 LB
RELEASE FORCE	-----1/4 LB MIN
PRETRAVEL	-----30° MAX
DIFFERENTIAL TRAVEL	-----8° MAX
OVERTRAVEL	-----55° MIN
CHARACTERISTICS APPLY TO OPERATION OF SWITCH IN EITHER DIRECTION 4	

ELECTRICAL DATA	
CONTACT ARRANGEMENT S P D T	
10A-125 OR 250 VAC	

SCALE FULL			
DO NOT SCALE PRINT			
TOLERANCES			
APPLY TO DESIGN UNITS. CONVERSIONS ARE ONLY FOR REFERENCE. UNLESS NOTED, TOLERANCES ARE ±			
DIM. mm	TOL. mm/in	DIM. in	TOL. mm/in
NO PLACES	X X 1/04	X X	0.01/03
ONE PLACE	X, X 0.4/018	X X	0.38/015
TWO PLACES	X, XX 0.18/008	X, XXX	0.15/005
THREE PLACES			
ANGLES			
SI METRIC <input type="checkbox"/>		US CUSTOMARY <input checked="" type="checkbox"/>	
DESIGN UNITS			
THIRD ANGLE PROJECTION			
WEIGHT .27 LB			