

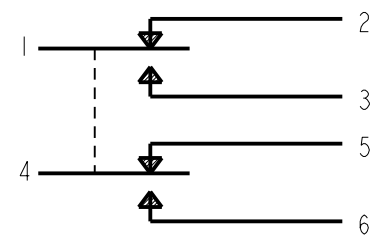
MICRO SWITCH
a Honeywell Division

FED. MFG. CODE 91929

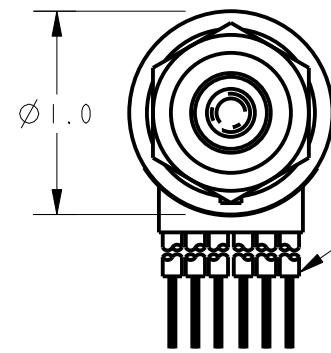
SWITCH - ENCLOSED

CATALOG LISTING

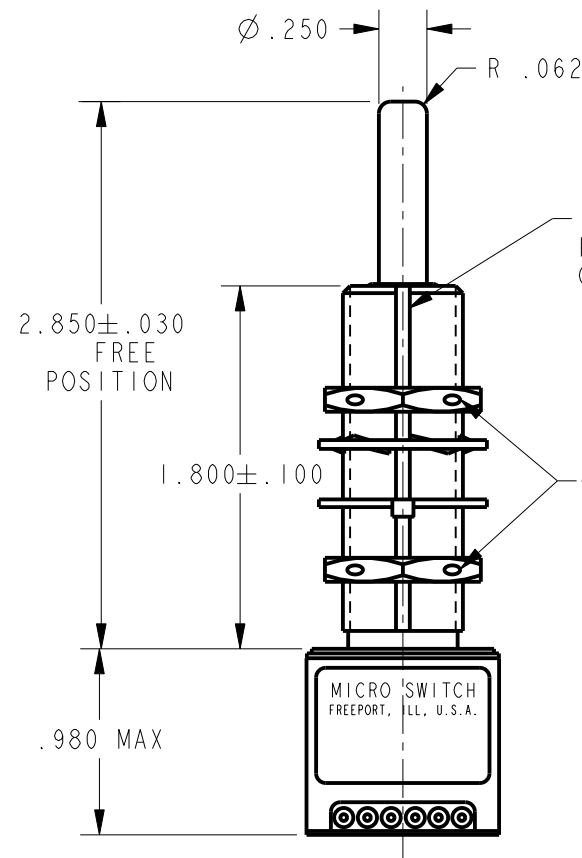
1EN289-3



CIRCUIT DIAGRAM

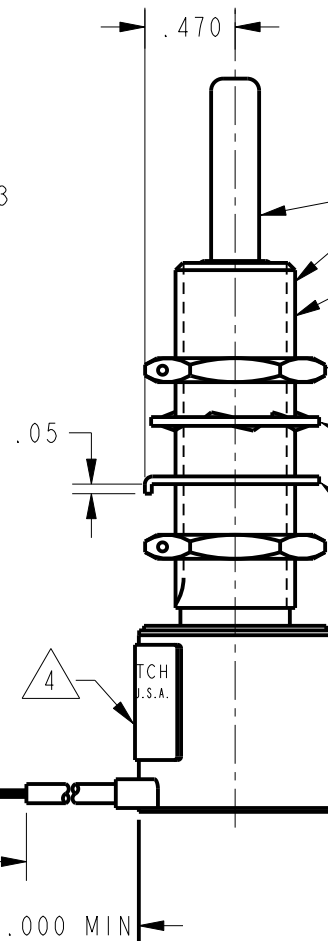


6X NO.20 WIRE LEAD PER MIL-W-22759/7
MARKED WITH CIRCUIT IDENTIFICATION AND WIRE GAGE
(1-20, 2-20 ETC) PER MIL-W-5088



.072 ± .004 WIDE X ∇ .038 ± .003
KEYWAY TO WITHIN .250
OF SHOULDER

Ø .047 HOLE FOR
WIRE LOCKING



CORROSION RESISTANT STEEL PLUNGER AND BUSHING

5/8-24 UNEF THREAD TO WITHIN .125 OF SHOULDER

2X CORROSION RESISTANT STEEL HEX NUT
.812 ACROSS FLATS X .125 THICK ∇ 6

CORROSION RESISTANT STEEL INTERNAL TOOTH
LOCKWASHER, Ø .87 X (.022) THICK ∇ 6

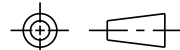
CORROSION RESISTANT STEEL KEYING WASHER
Ø .087 X .040 THICK, TAB .110 WIDE (MS-25081-C6) ∇ 6

NOTES

- 1 - CORROSION RESISTANT STEEL ENCLOSURE
- 2 - SWITCH SEALED PER MIL-PRF-8805 SYMBOL 4
- 3 - COINCIDENCE OF OPERATING AND RELEASING POINTS:
.010 OF PLUNGER TRAVEL
- ∇ 4 - CIRCUIT DIAGRAM, CATALOG LISTING AND DATE CODE
ARE SHOWN ON NAMEPLATE
- 5 - THIS DESIGN IS FOR INLINE ACTUATION
- ∇ 6 - HARDWARE MAY BE PACKAGED UNASSEMBLED PER MIL-PRF-8805

THIS DRAWING COVERS A PROPRIETARY ITEM AND IS THE PROPERTY OF MICRO SWITCH, A DIVISION OF HONEYWELL. THIS DRAWING IS NOT TO BE COPIED OR USED WITHOUT THE APPROVAL OF MICRO SWITCH

THIRD ANGLE PROJECTION



CHARACTERISTICS

OPERATING FORCE	6-12 LB
FULL OVERTRAVEL FORCE	20 LB MAX
RELEASE FORCE	4 LB MIN
PRETRAVEL	.015-.040
DIFFERENTIAL TRAVEL	.020 MAX
TOTAL TRAVEL	.900 MIN

ELECTRICAL DATA

CONTACT ARRANGEMENT 2X SPDT		
28 VDC		
LOAD	SEA LEVEL	50,000 FT.
RES	4	4
IND	2	2
MOTOR	4	

SCALE FULL

DO NOT SCALE PRINT

UNLESS OTHERWISE SPECIFIED
TOLERANCES ARE

ONE PLACE	(.0)	± .030
TWO PLACE	(.00)	± .015
THREE PLACE	(.000)	± .005
ANGLES		±

WEIGHT 8.5 OZ MAX

ANSI Y14.5M-1982 APPLIES

1EN289-3

CATALOG LISTING

M 17

REVISIONS
A 201512 TSM 1 NOV 00
B 0006608 KR 21 JUL 04

21 JUL 04

AK

CHECK

1 NOV 00

SAV

CHECK

1 NOV 00

PTC/CAD 2D

DRAWN

TSM

1 NOV 00

REPLACES

RELEASE NO. PR-1990

PAGE 1 OF 1

CHECK

AK

CHECK

1 NOV 00

SAV

CHECK

1 NOV 00

PTC/CAD 2D

DRAWN

TSM

1 NOV 00