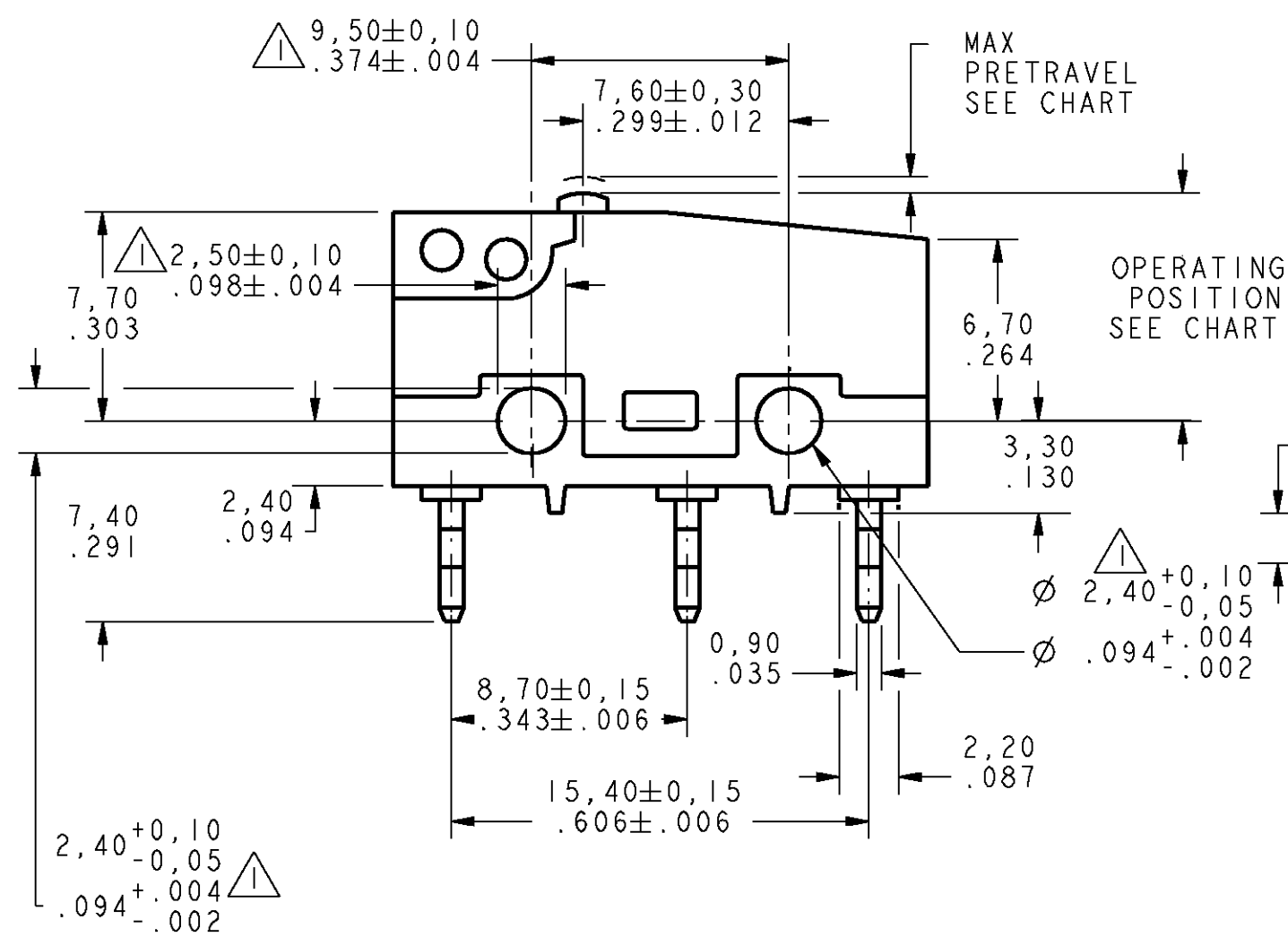
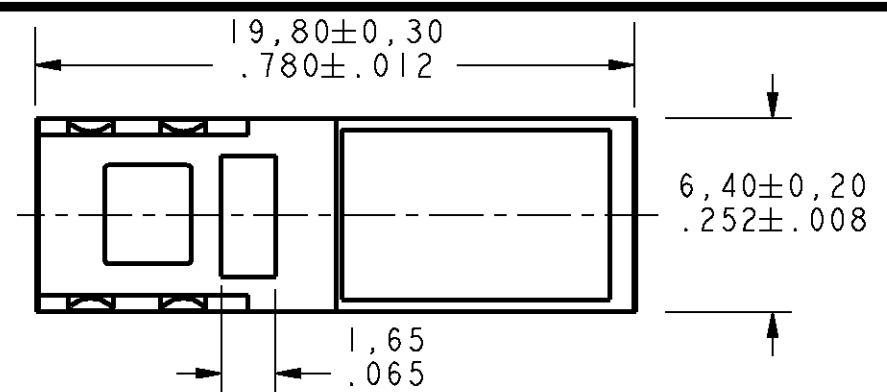
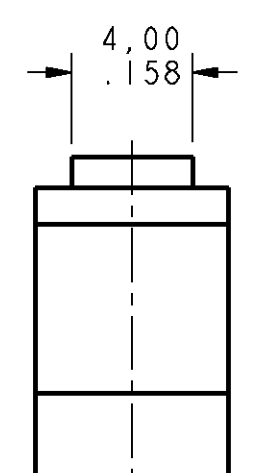


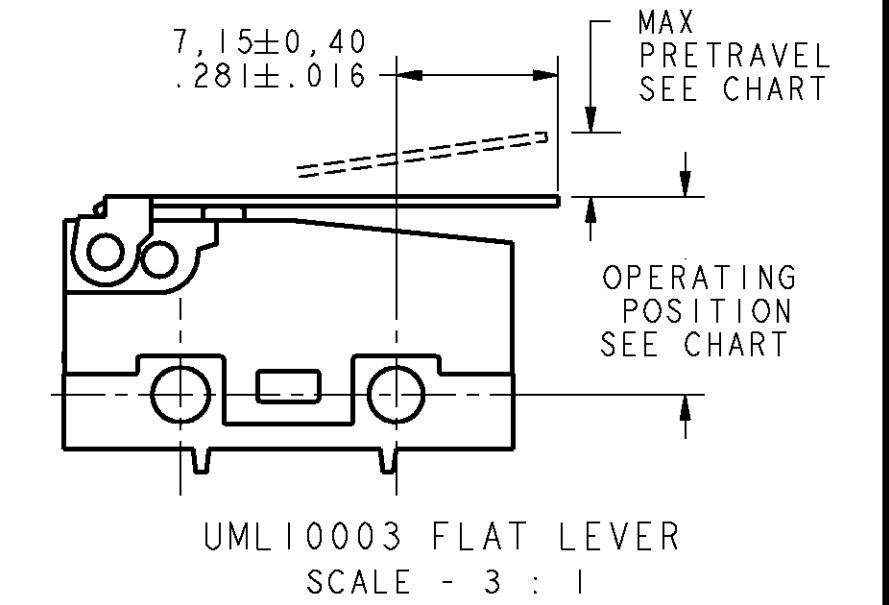
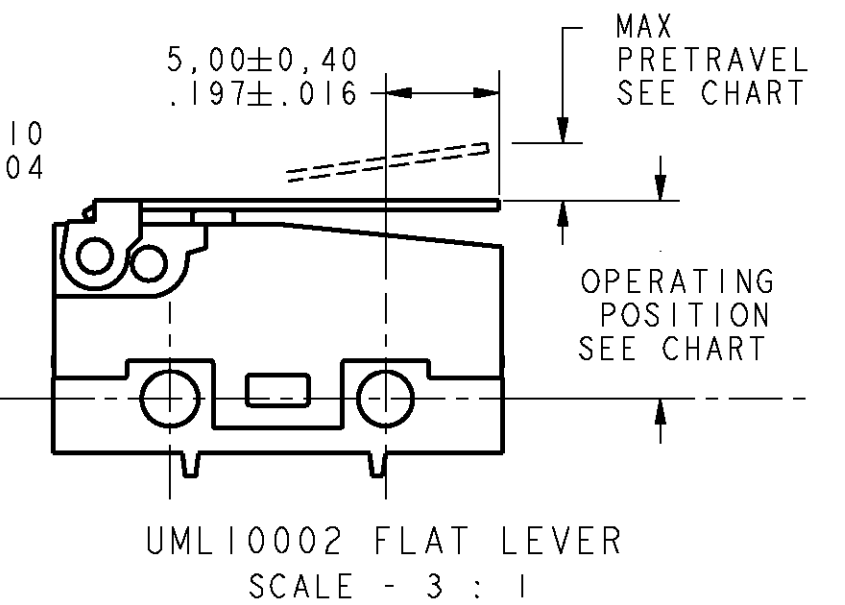
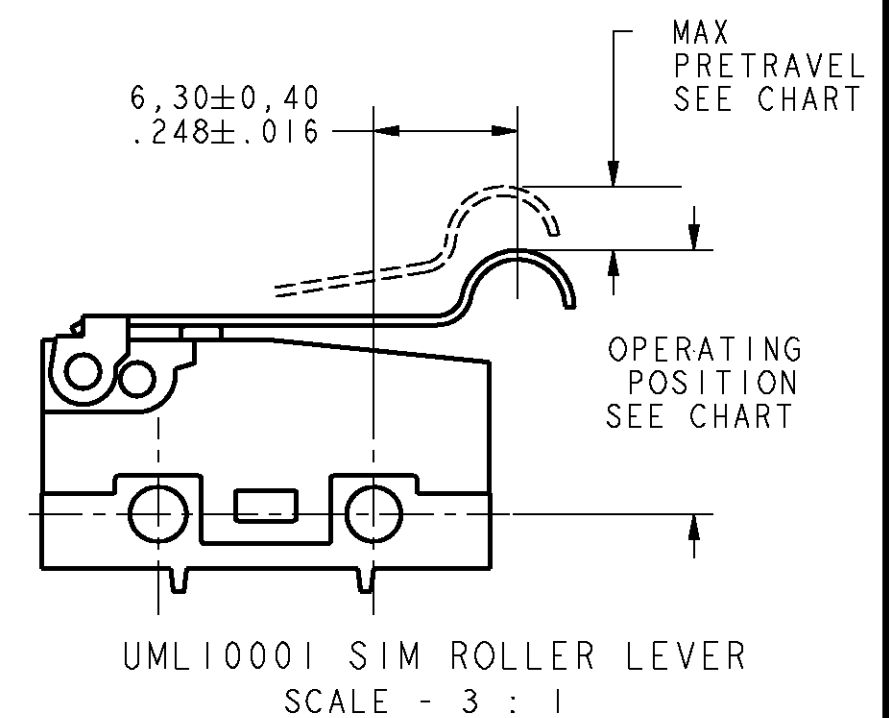
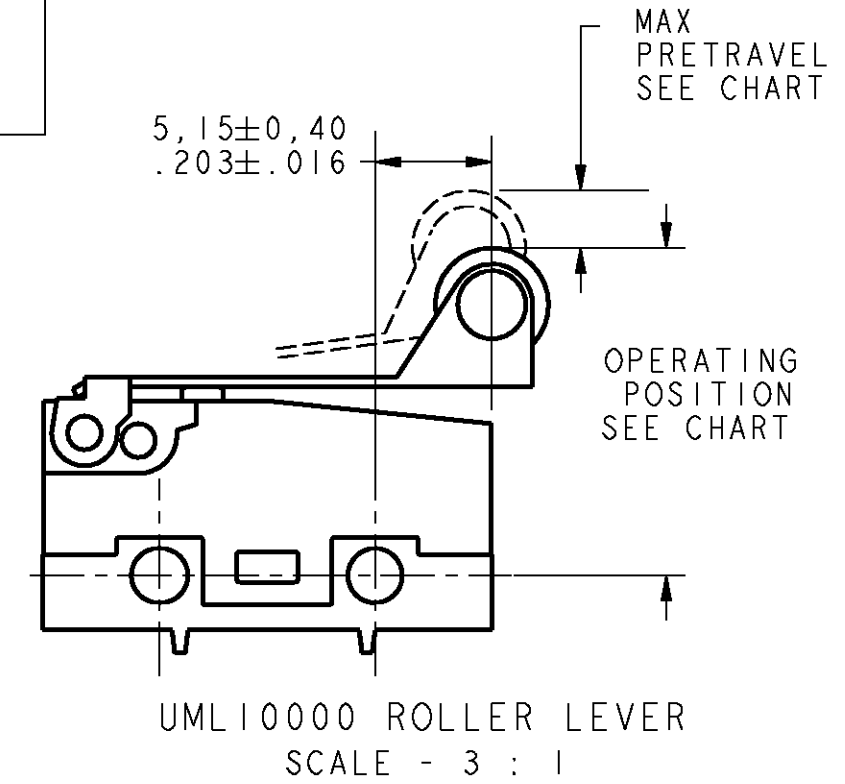
LISTING PREFIX UM99 ELECTRICAL RATING 10.1A 250 VAC E 12252 LR23413-167M



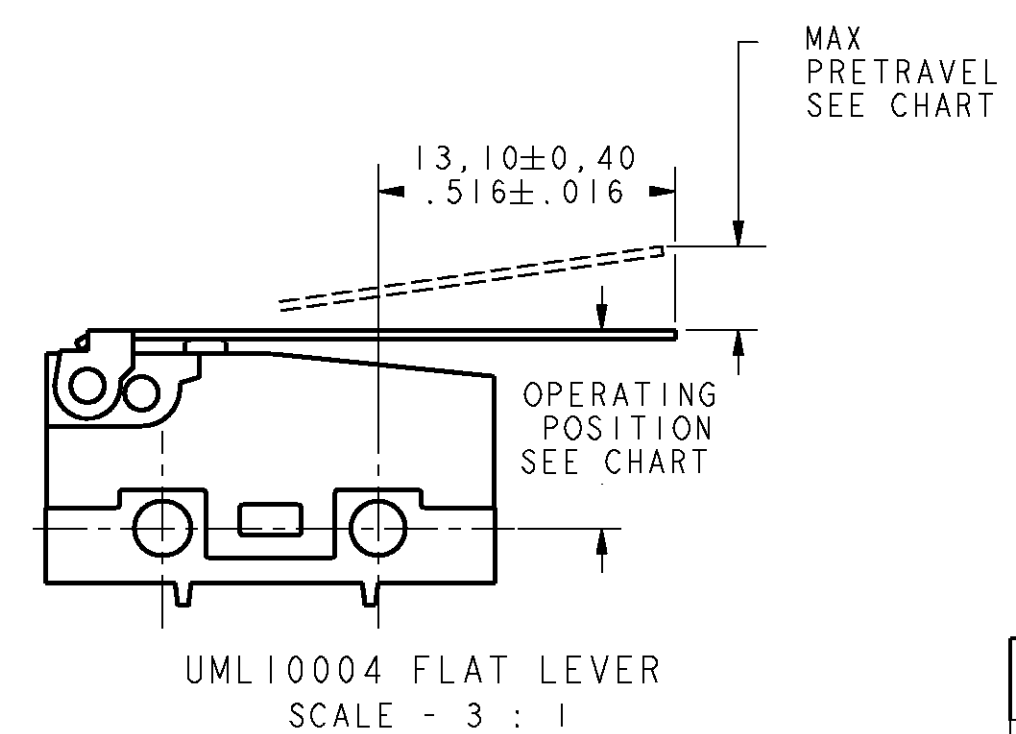
PIN PLUNGER



SOLDER TERMINAL



NOTES  
 1 - MOUNTING HOLES WILL ACCEPT PINS OR SCREWS OF  $\phi 2.21/\phi .087$  MAX ON  $9.50 \pm 0.05 / .374 \pm .002$  CENTERS  
 2 - TERMINALS ARE PLATED FOR SOLDERING  
 3 - SWITCH WILL WITHSTAND A TEMPERATURE OF  $82.2^\circ\text{C} / 180^\circ\text{F}$



ACTUATOR TYPE	SOLDER TERMINALS	CHARACTERISTICS					
		OPERATING FORCE MAX	RELEASE FORCE MIN	PRETRAVEL MAX	DIFFERENTIAL TRAVEL MAX	OVER TRAVEL MIN	OPERATING POSITION
		grams OUNCES	grams OUNCES	mm INCHES	mm INCHES	mm INCHES	mm INCHES
PIN PLUNGER	UM99E21A01	150 5.291	20 .705	0.6 .024	0.1 .004	0.4 .016	8.4±0.3 .331±.012
UML10000 ROLLER LEVER	UM99E21F01	60 2.116	4 .141	2.5 .098	0.5 .020	0.8 .031	14.5±0.8 .571±.031
UML10001 SIMULATED ROLLER LEVER	UM99E21E01	55 1.940	3.5 .123	2.8 .110	0.8 .031	1.2 .047	11.65±0.8 .459±.031
UML10002 FLAT LEVER	(A)	60 2.116	4 .141	2.5 .098	0.5 .020	0.8 .031	8.8±0.8 .346±.031
UML10003 FLAT LEVER	(A)	55 1.940	3.5 .123	2.8 .110	0.8 .031	1.2 .047	8.8±0.8 .346±.031
UML10004 FLAT LEVER	(A)	45 1.587	3 .106	3.5 .123	1.0 .039	1.6 .063	8.8±1.2 .346±.047

UM SERIES CHART 12  
 DRAWING NUMBER  
 ISSUE 4  
 REVISIONS  
 A C094774 TSM 20 JUL 99  
 B C095492 TSM 10 OCT 99  
 PTC/CAD 2D  
 TSM 20 JUL 99  
 JAF  
 CHECK  
 RELEASE NO. PR-22087  
 REPLACES

THIS DRAWING COVERS A PROPRIETARY ITEM AND IS THE PROPERTY OF MICRO SWITCH, A DIVISION OF HONEYWELL. THIS DRAWING IS NOT TO BE COPIED OR USED WITHOUT THE APPROVAL OF MICRO SWITCH.

MICRO SWITCH a Honeywell Division

SWITCH - BASIC

CATALOG LISTING

UM SERIES CHART 12

ANSI Y14.5M-1982 APPLIES

FED. MFG. CODE 91929

DESIGN UNITS  SI METRIC  US CUSTOMARY

WEIGHT

THIRD ANGLE PROJECTION

SCALE 4 : 1

DO NOT SCALE PRINT

TOLERANCES  
 APPLY TO DESIGN UNITS. CONVERSIONS ARE ONLY FOR REFERENCE. UNLESS NOTED, TOLERANCES ARE #

NO PLACES	DIM	TOL	DIM	TOL
ONE PLACE	X	1/2, .04	X, X	0.8/ .03
TWO PLACES	X, XX	0.4/ .016	X, XX	0.38/ .015
THREE PLACES	X, XX	0.15/ .006	X, XXX	0.13/ .005