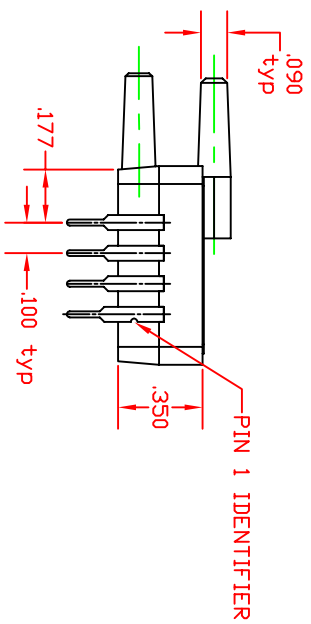
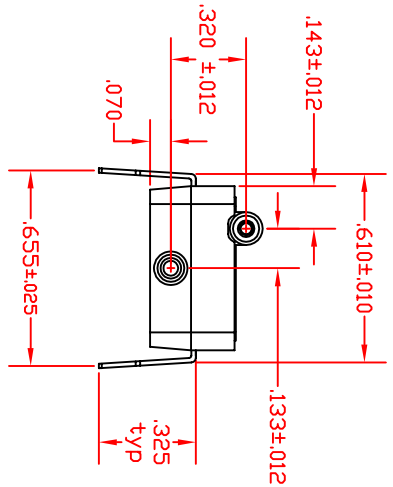
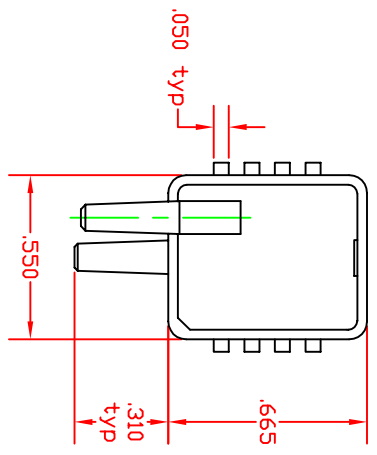


**PROPRIETARY DATA**  
 This document may not be reproduced, disclosed, or otherwise used in whole or in part, without the written permission of **SENSATA ICT**

REVISIONS				
LTR	DESCRIPTION	ECN#	DATE	APP'V
A	INITIAL RELEASE	9795	08/16/01	B.D
B	CORRECTED DIMENSION	10506	07/30/02	B.D
C	ADDED TOLERANCES	11020	03/17/03	B.D



NOTES: UNLESS OTHERWISE SPECIFIED  
 1. Δ INDICATES CRITICAL DIMENSIONS FOR INCOMING INSPECTION BY Q.A. PER ANSI Z1.4-1993, SINGLE SAMPLING, NORMAL INSPECTION, 0.65% AQL, LEVEL 1

THIRD ANGLE PROJECTION	UNLESS OTHERWISE SPECIFIED DIMENSIONS ARE IN INCHES	APPROVALS	DATE	<b>Honeywell</b>	
FINISH: UNLESS OTHERWISE SPECIFIED	DESCRIPTORS: .XX=±.01 ANGULAR ±1°	DRAWN BY	2/28/03	SensSys ICT 1804 MCKINNY BLD. MILPITAS, CA 95035	
MATERIAL: N/A	TOLERANCES: .XXX=±.005	PRODUCT ENGR.	2/28/03	TITLE: OUTLINE DRAWING ASDXXXXD4	
USED ON: ASDXXXXD4	DO NOT SCALE DRAWING	ORIGINATOR CHECK		SCALE: B	DRAWING NUMBER: S560239
				SIZE: 5:1	CODE IDENT: 67234
					SHEET 1 of 1

