

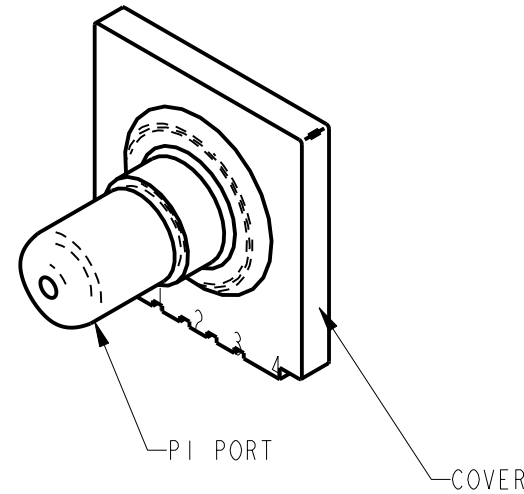
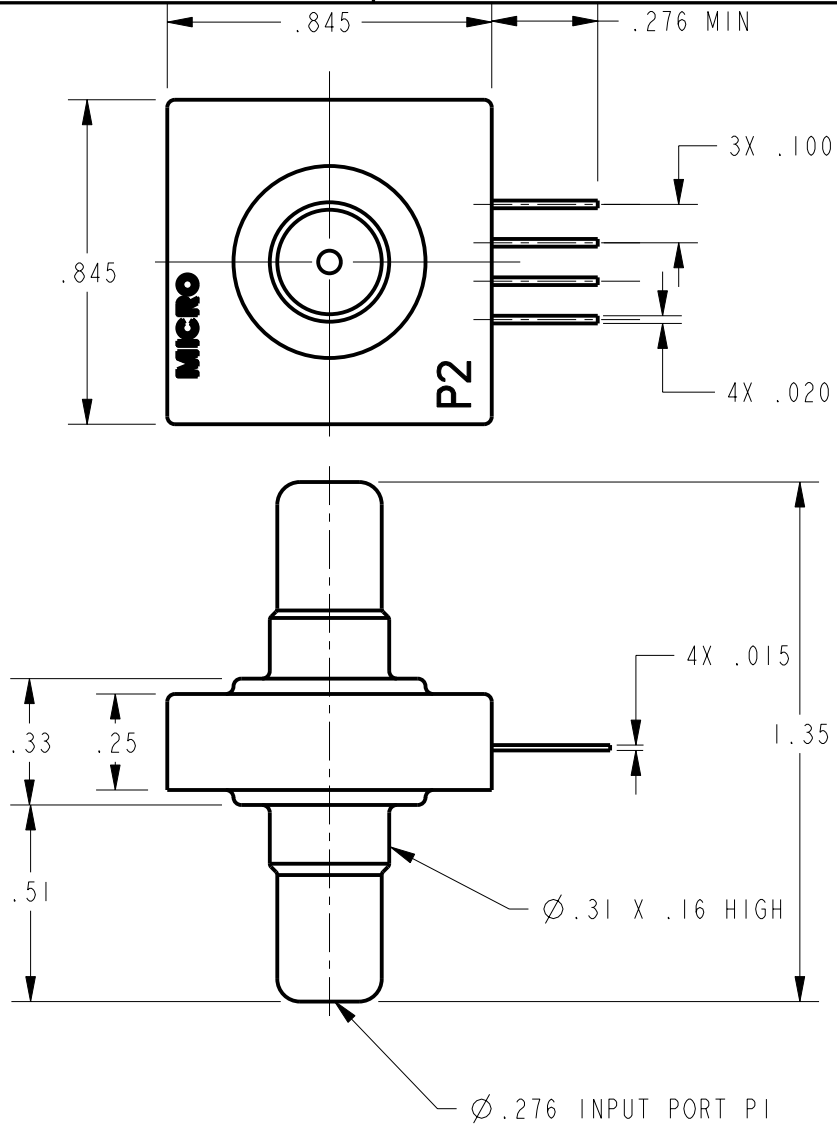
BRIDGE PRESSURE  
SENSOR

CATALOG LISTING  
**176PC07HD33**

THIS DRAWING COVERS A PROPRIETARY ITEM AND IS THE PROPERTY OF MICRO SWITCH. A DIVISION OF HONEYWELL. THIS DRAWING IS NOT TO BE COPIED OR USED WITHOUT THE APPROVAL OF MICRO SWITCH

GENERAL OPERATING CHARACTERISTICS  
(ELECTRICAL PERFORMANCE AT 10.0±0.01 VDC EXCITATION, 25°C)

PARAMETERS	PRESSURE RANGES (H <sub>2</sub> O)	MIN	TYP	MAX	UNITS
NULL OFFSET	ALL	-2	0	+2	MV
NULL SHIFT $\triangle 5$ 0° ← 25°C → 50°		-1.2		+1.2	
P2 > P1 F.S.O. $\triangle 3$ (FULL SCALE OUTPUT)	0 TO 07 D & G	26	28	30	MV
P2 > P1 SENSITIVITY PER IN. H <sub>2</sub> O	0 TO 07 D		1.5		
F.S.O. SHIFT $\triangle 5$ 0° ← 25°C → 50° AT 10 VDC AT 2mA	ALL		NONE	± 3.5	
P2 > P1 PI > P2	0 TO 07 D			± 3.0	
LINEARITY (BESL)	0 TO 07 D			± 1.5	
REPEATABILITY & HYSTERESIS	ALL		± 0.25		VDC
STABILITY OVER 1 YEAR			± 1.5		
EXCITATION VOLTAGE			10	16	OHMS
INPUT RESISTANCE			6.3K		
(P2 > P1) (PI > P2) OVERPRESSURE	0 TO 07			140	IN. H <sub>2</sub> O
TEMPERATURE STORAGE OPERATE COMPENSATED	ALL				



CATALOG LISTING  
**176PC07HD33**

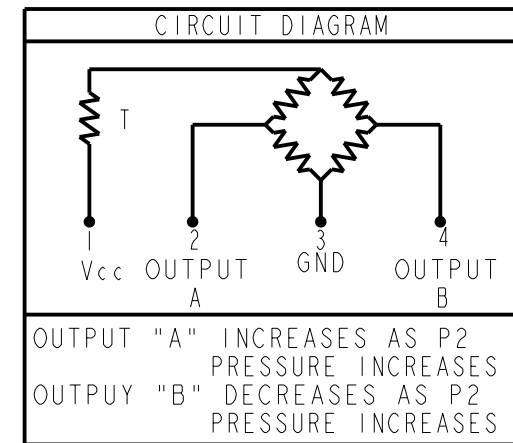
ISSUE  
**2**

REVISIONS  
A 205984  
DLT  
17 JUL 02

PTC/CAD  
DRAWN  
DLT 17 JUL 02

NOTES

- 1 - TERMINALS ARE PLATED FOR SOLDERING
- 2 - LIMIT SOLDERING TO 315°C MAX FOR 10 SECONDS MAX
- 3 F.S.O. IS THE ALGEBRAIC DIFFERENCE BETWEEN END POINTS (OUTPUT AND MINIMUM AND MAXIMUM PRESSURE)
- 4 - INPUT MEDIA: P1 - DRY GASES ONLY: CONNECTION SIDE OF SENSOR  
P2 - LIMITED ONLY TO THOSE MEDIA THAT WILL NOT ATTACK  
POLYESTER, SILICON OR SILICONE BASED ADHESIVE
- 5 TEMPERATURE ERROR IS CALCULATED WITH RESPECT TO 25°C AND EXPRESSES THE DEVIATION THAT COULD OCCUR AS TEMPERATURE IS RAISED OR LOWERED TO LIMITS INDICATED



THIRD ANGLE PROJECTION	
SCALE	2 : 1
DO NOT SCALE PRINT	
UNLESS OTHERWISE SPECIFIED TOLERANCES ARE	
ONE PLACE (.0)	± .030
TWO PLACE (.00)	± .015
THREE PLACE (.000)	± .005
ANGLES	±
WEIGHT	2.0Z