

# EBC-3220 Compact Embedded Chassis for IEI Single Voltage Mini-ITX SBC



## Features

- ◆ Design for Mini-ITX SBC with single voltage input
- ◆ Space critical application
- ◆ One 2.5" hard drive capacity
- ◆ Cost-effective, RoHS compliant design

## Specifications

<b>Model Name</b>	EBC-3220
<b>SBC Form Factor</b>	Mini-ITX (Single Voltage input)
<b>Cooling Fan</b>	1 x 4 cm
<b>Storage</b>	1 x 2.5" HDD Bracket
<b>Buttons</b>	Power switch
<b>Color</b>	Black
<b>Dimensions (WxDxH) (mm)</b>	190 x 180 x 55
<b>Weight</b>	1KG/2KG
<b>Operating temperature</b>	-10°C ~ 50°C with air flow*
<b>Mounting</b>	Desktop, wall mount, VESA mount

\*Ambient air speed pre IEC-68-2-2 standard

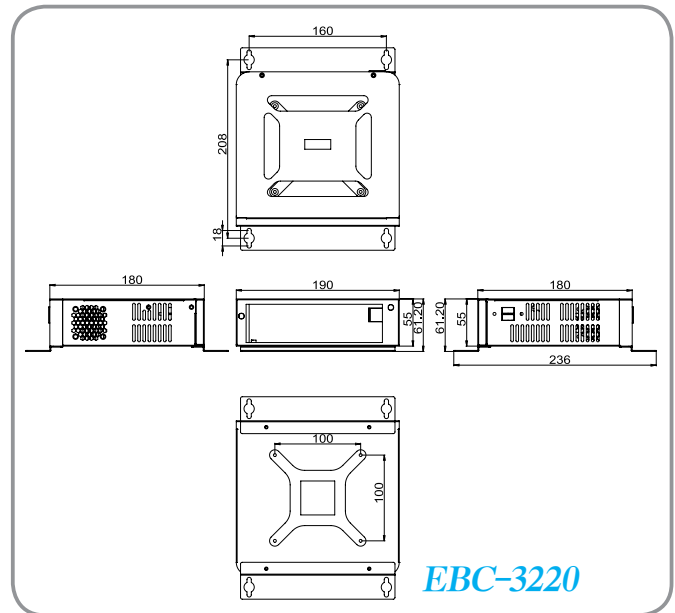
## Compatible Mini-ITX SBC

Part No.	Recomand CPU cooler
KINO-DQM871	CF-989A-RS-R12
KINO-QM770	CF-989A-RS-R12
KINO-CV/D25501/N26001	Fanless
KINO-QM670	CF-989A-RS-R12
KINO-QM57A	CF-989A-RS-R12
KINO-HM551	CF-989A-RS-R11
KINO-PVN-D5251	19FFD124010HB2A7-000001-RS
KINO-PV-D4252/D5252	19FFD124010HB2A7-000001-RS

## Packing list

1 x QIG	1 x Wall mount bracket kit	1 x Screw set
---------	----------------------------	---------------

## Dimensions (Unit: mm)



## Options

Item	Part No.	Description
Wi-Fi KIT	EMB-WIFI-KIT01-R11	1T1R Wi-Fi module kit for embedded system, IEEE802.11b/g/n, 1 x Wi-Fi module, 2 x RF cable, 2 x Antenna, RoHS

## Ordering information

Part No.	Description
EBC-3220-R10	Mini-ITX embedded chassis, for DC input model only, with one 2.5" HDD, w/o power adapter, Black, RoHS
63040-010060-110-RS	Adapter Power, FSP060-DIBAN2, 90 V~264 V AC, 60W, 1500mm, 12 V DC, Din 4Pin/lock, CCL, ErP, PSE,RoHS
63040-010084-010-RS	Adapter Power, FSP084-DIBAN2, 90 V~264 V AC, 84W, 1800mm, 12 V DC, Din 4Pin/lock, CCL, ErP, RoHS
32001-010800-100-RS	Dual port USB cable, 200mm, w/o bracket
19FR124010BL-000003-RS	Fan Module, L=200MM, 4cm, 3 pin, CCL, RoHS
EBC-3220-DH610-R10	Embedded chassis with KINO-DH610, support Intel® Core™ i7/i5/i3, Pentium®, Celeron® CPU, one 2.5" HDD drive bay, w/ 19 V/6.32 A 120W power adapter (support up to 65W CPU), Black, R10, RoHS
CPU-DT-i5-2500T	Intel® Core™ i5-2500T processor, LGA1155, quad core 2.3 GHz, 6M cache, 45W, compatible with CF-1156D-RS CPU cooler
CPU-DT-i5-2390T	Intel® Core™ i5-2390T processor, LGA1155, dual core 2.7 GHz, 3M cache, 35W, AMT, compatible with CF-1156D-RS CPU cooler
CPU-DT-i3-2100T	Intel® Core™ i3-2100T processor, LGA1155, dual core 2.5 GHz, 3M cache, 35W, compatible with CF-1156D-RS CPU cooler
CPU-DT-P-G620T	Intel® Pentium® G620T processor, LGA1155, dual core 2.2 GHz, 3M cache, 35W, compatible with CF-1156D-RS CPU cooler
CPU-DT-C-G440	Intel® Celeron® G440 processor, LGA1155, single core 1.6 GHz, 1M cache, 35W, compatible with CF-1156D-RS CPU cooler
CF-1156D-RS	LGA1155/LGA1156 cooler kit, 1U chassis compatible 65W