

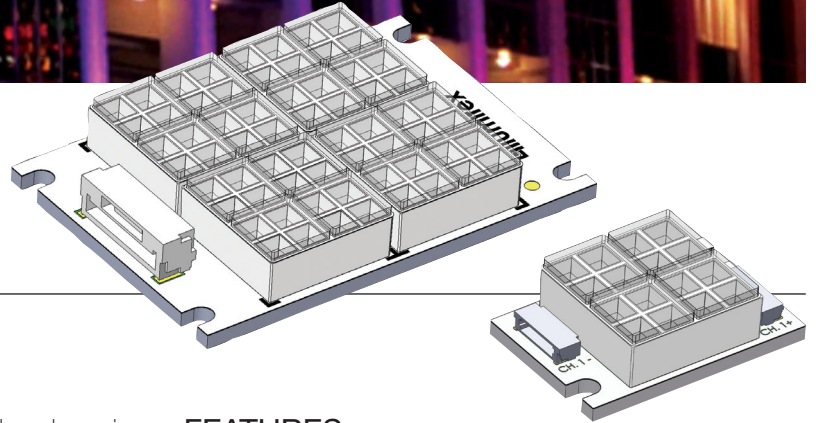
Color
Changing

ABEO LEDs

FX SERIES

FX44, 2x2 FX Module

The **Abeo FX44 Series** is the world's most advanced color-changing LED. By utilizing Illumitex's patented package and optics design, the Abeo FX44 produces perfectly-blended edge-to-edge color uniformity. Offered in three die configurations (RGGB, RGB-CW and RGB-NW), lighting designers are now able to create seamless color transitions throughout the expanded color gamut. The Abeo FX44 also offers the ability to control the beam angle at the LED package level, eliminating the need for additional costly and inefficient secondary optics while delivering maximum lumens to the intended task surface. The Abeo FX44 also delivers breakthrough lux and color uniformity ratios within the specified beam angle by controlling the cut-off of the light emitted from the LED with Illumitex's Digital Distribution™ (DD) advanced technology.



FEATURES

- Dynamic wavelength capability
- Perfect edge-to-edge color and lux uniformity
- Revolutionary beam angle control
- Maximum delivered lumens per watt
- No need for secondary optical systems
- Lower fixture BOM and assembly costs
- Reduced fixture size
- Industry's lowest % of stray light
- IP66 wet location rating
- Unrivaled color uniformity

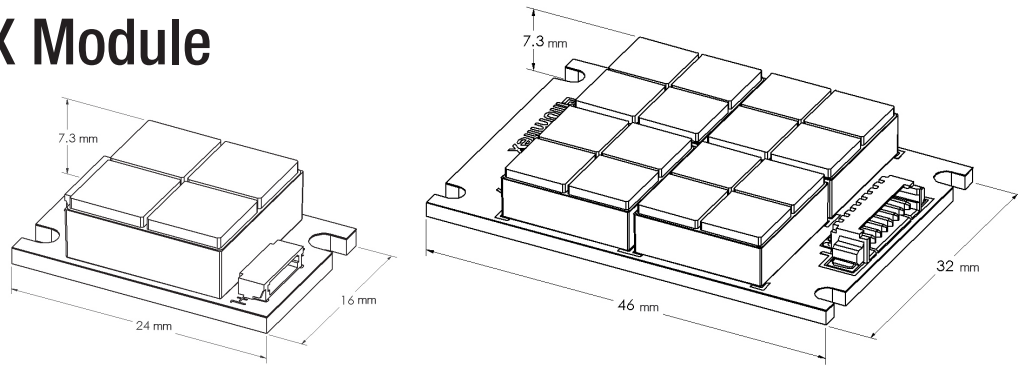
APPLICATIONS

- Retail Lighting
- Wall Washes
- Façade Lighting
- Entertainment Lighting
- Theater Lighting

ABEO LEDs

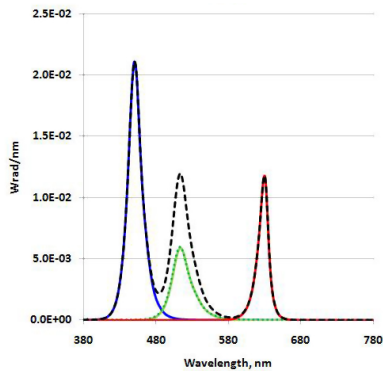
FX SERIES

FX44, 2x2 FX Module

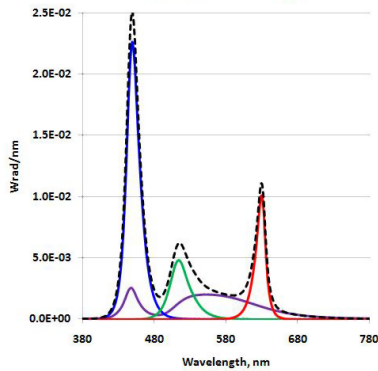


Product Part	Color	CCT/ Wavelength	Beam Angle (FWHM)	Digital Distribution	Initial Lumens@ Typical Current (lm)	Forward Current Typical (mA)	Forward Current Max (mA)	Forward Voltage Typ (V)	Forward Voltage Max (V)
RGGB	Red	624 nm	50°	DD65	43	125	150	9	10
	Green	525 nm	50°	DD65	75	125	150	13.2	14.2
	Green	525 nm	50°	DD65	75	125	150	13.2	14.2
	Blue	450 nm	50°	DD65	18	125	150	13.2	14.2
RGBW (COOL WHITE)	Red	624 nm	50°	DD65	43	125	150	9	10
	Green	525 nm	50°	DD65	75	125	150	13.2	14.2
	Blue	450 nm	50°	DD65	18	125	150	13.2	14.2
	White (Cool)	5700K	50°	DD65	100	125	150	13.2	14.2
RGBW (NEUTRAL WHITE)	Red	624 nm	50°	DD65	50	125	150	9	10
	Green	525 nm	50°	DD65	85	125	150	13.2	14.2
	Blue	450 nm	50°	DD65	18	125	150	13.2	14.2
	White (Neutral)	4000K	50°	DD65	85	125	150	13.2	14.2
2x2 MODULE RGBW (COOL WHITE)	Red	624 nm	50°	DD65	173	500	600	9	10
	Green	525 nm	50°	DD65	297	500	600	13.2	14.2
	Blue	450 nm	50°	DD65	69	500	600	13.2	14.2
	White (Cool)	5700K	50°	DD65	400	500	600	13.2	14.2

RGGB



RGBW Cool White



RGBW Neutral White

