

# 100V, 2A Peak, High Frequency Half-Bridge Drivers with Adjustable Dead Time Control and PWM Input

## HIP2120, HIP2121

The HIP2120 and HIP2121 are 100V, high frequency, half-bridge MOSFET driver ICs. They are based on the popular ISL2100A and ISL2101A half-bridge drivers.

These drivers have a programmable dead-time to insure break-before-make operation between the high-side and low-side drivers. The dead-time is adjustable up to 250ns.

A single PWM logic input controls both bridge outputs (HO, LO). An enable pin (EN), when low, drives both outputs to a low state. All logic inputs are  $V_{DD}$  tolerant and the HIP2120 has CMOS inputs with hysteresis for superior operation in noisy environments.

The HIP2120 has hysteretic inputs with thresholds that are proportional to  $V_{DD}$ . The HIP2121 has 3.3V logic/TTL compatible inputs.

Two package options are provided. The 10 Ld 4x4 DFN package has standard pinouts. The 9 Ld 4x4 DFN package omits pin 2 to comply with 100V conductor spacing per IPC-2221.

## Features

- 9 Ld TDFN “B” Package Compliant with 100V Conductor Spacing Guidelines per IPC-2221
- Break-Before-Make Dead-Time Prevents Shoot-through and is adjustable up to 220ns
- Bootstrap Supply Max Voltage to 114VDC
- Wide Supply Voltage Range (8V to 14V)
- Supply Undervoltage Protection
- CMOS Compatible Input Thresholds with Hysteresis (HIP2120)
- 1.6Ω/1Ω Typical Output Pull-up/Pull-down Resistance
- On-Chip 1Ω Bootstrap Diode

## Applications

- Telecom Half-Bridge DC/DC Converters
- UPS and Inverters
- Motor Drives
- Class-D Amplifiers
- Forward Converter with Active Clamp

## Related Literature

- [FN7670](#) “HIP2122, HIP2123 100V, 2A Peak, High Frequency Half-Bridge Driver with Delay Timers”

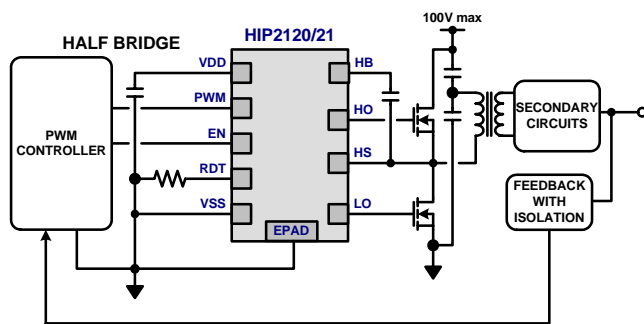


FIGURE 1. TYPICAL APPLICATION

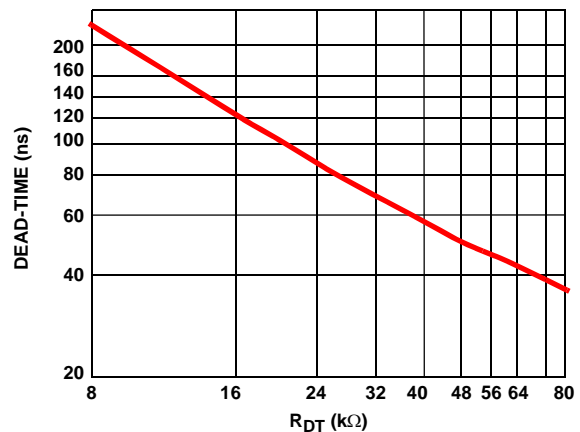
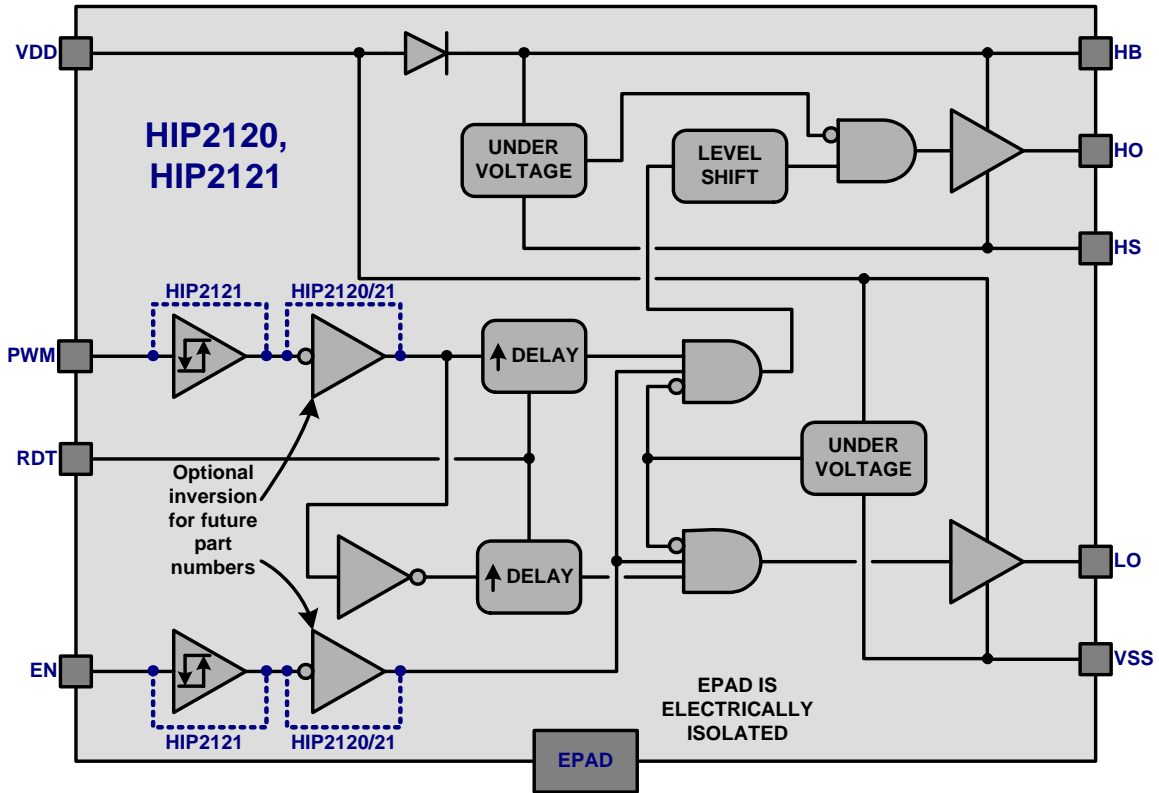


FIGURE 2. DEAD-TIME vs TIMING RESISTOR

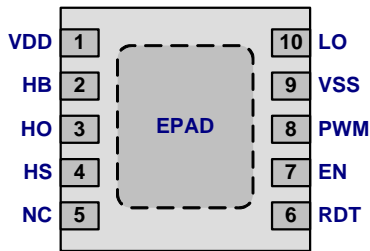
# HIP2120, HIP2121

## Block Diagram

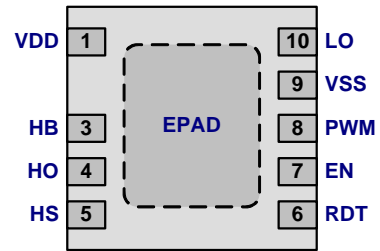


## Pin Configurations

HIP2120, HIP2121  
(10 LD 4X4 TDFN)  
TOP VIEW



HIP2120, HIP2121  
(9 LD 4X4 TDFN)  
TOP VIEW



# HIP2120, HIP2121

## Pin Descriptions

10 LD	9 LD	SYMBOL	DESCRIPTION
1	1	VDD	Positive supply voltage for lower gate driver. Decouple this pin with a ceramic capacitor to VSS.
2	3	HB	High-side bootstrap supply voltage referenced to HS. Connect the positive side of the bootstrap capacitor to this pin. Bootstrap diode is on-chip.
3	4	HO	High-side output. Connect to gate of high-side power MOSFET.
4	5	HS	High-side source connection. Connect to source of high-side power MOSFET. Connect negative side of bootstrap capacitor to this pin.
8	8	PWM	PWM input. For PWM = 1, HO = 1 and LO = 0. For PWM = 0, HO = 0 and LO = 1.
7	7	EN	Output enable, when low, HO = LO = 0
9	9	VSS	Negative voltage supply, which will generally be ground.
10	10	LO	Low-side output. Connect to gate of low-side power MOSFET.
5	-	NC	No Connect. This pin is isolated from all other pins.
6	6	RDT	A resistor connected between this pin and VSS adds additional delay time to the falling and rising edges of the PWM input.
-	-	EPAD	Exposed pad. Connect to ground or float. The EPAD is electrically isolated from all other pins.

## Ordering Information

PART NUMBER (Notes 1, 2, 4)	PART MARKING	INPUT	TEMP. RANGE (°C)	PACKAGE (Pb-Free)	PKG. DWG. #
HIP2120FRTAZ	HIP 2120AZ	CMOS	-40 +125	10 Ld 4x4 TDFN	L10.4x4
HIP2121FRTAZ	HIP 2121AZ	3.3V/TTL	-40 +125	10 Ld 4x4 TDFN	L10.4x4
HIP2120FRTBZ (Note 3)	HIP 2120BZ	CMOS	-40 +125	9 Ld 4x4 TDFN	L9.4x4
HIP2121FRTBZ (Note 3)	HIP 2121BZ	3.3V/TTL	-40 +125	9 Ld 4x4 TDFN	L9.4x4

### NOTES:

1. Please refer to [TB347](#) for details on reel specifications.
2. These Intersil Pb-free plastic packaged products employ special Pb-free material sets, molding compounds/die attach materials, and 100% matte tin plate plus anneal (e3 termination finish, which is RoHS compliant and compatible with both SnPb and Pb-free soldering operations). Intersil Pb-free products are MSL classified at Pb-free peak reflow temperatures that meet or exceed the Pb-free requirements of IPC/JEDEC J STD-020.
3. "B" package option has alternate pin assignments for compliance with 100V Conductor Spacing Guidelines per IPC-2221. Note that Pin 2 is omitted for additional spacing.
4. For Moisture Sensitivity Level (MSL), please see device information page for [HIP2120](#), [HIP2121](#). For more information on MSL please see tech brief [TB363](#).

## Table of Contents

<b>Block Diagram</b> .....	<b>2</b>
<b>Pin Descriptions</b> .....	<b>3</b>
<b>Absolute Maximum Ratings</b> .....	<b>5</b>
<b>Thermal Information</b> .....	<b>5</b>
<b>Maximum Recommended Operating Conditions</b> .....	<b>5</b>
<b>Timing Diagram</b> .....	<b>7</b>
<b>Typical Performance Curves</b> .....	<b>8</b>
<b>Functional Description</b> .....	<b>11</b>
Functional Overview .....	11
<b>Application Information</b> .....	<b>11</b>
Selecting the Boot Capacitor Value .....	11
<b>Typical Application Circuit</b> .....	<b>12</b>
Transients on HS Node .....	12
Power Dissipation .....	13
<b>PC Board Layout</b> .....	<b>13</b>
<b>EPAD Design Considerations</b> .....	<b>14</b>
<b>Revision History</b> .....	<b>14</b>
<b>Products</b> .....	<b>14</b>
<b>L9.4x4</b> .....	<b>15</b>
<b>L10.4x4</b> .....	<b>16</b>

# HIP2120, HIP2121

## Absolute Maximum Ratings

Supply Voltage, $V_{DD}$ , $V_{HB} - V_{HS}$ (Notes 5, 6)	-0.3V to 18V
PWM and EN Input Voltage (Note 6)	-0.3V to $V_{DD} + 0.3V$
Voltage on LO (Note 6)	-0.3V to $V_{DD} + 0.3V$
Voltage on HO (Note 6)	$V_{HS} - 0.3V$ to $V_{HB} + 0.3V$
Voltage on HS (Continuous) (Note 6)	-1V to 110V
Voltage on HB (Note 6)	118V
Average Current in $V_{DD}$ to HB Diode	100mA

## Maximum Recommended Operating Conditions

Supply Voltage, $V_{DD}$	8V to 14V
Voltage on HS	-1V to 100V
Voltage on HS (Repetitive Transient)	-5V to 105V
Voltage on HB	$V_{HS} + 8V$ to $V_{HS} + 14V$ and $V_{DD} - 1V$ to $V_{DD} + 100V$
HS Slew Rate	<50V/ns

**CAUTION:** Do not operate at or near the maximum ratings listed for extended periods of time. Exposure to such conditions may adversely impact product reliability and result in failures not covered by warranty.

### NOTES:

- The HIP2120 and HIP2121 are capable of derated operation at supply voltages exceeding 14V. Figure 20 shows the high-side voltage derating curve for this mode of operation.
- All voltages referenced to  $V_{SS}$  unless otherwise specified.
- $\theta_{JA}$  is measured in free air with the component mounted on a high effective thermal conductivity test board with "direct attach" features. See Tech Brief [TB379](#).
- For  $\theta_{JC}$ , the "case temp" location is the center of the exposed metal pad on the package underside.

## Thermal Information

Thermal Resistance (Typical)	$\theta_{JA}$ ( $^{\circ}C/W$ )	$\theta_{JC}$ ( $^{\circ}C/W$ )
10 Ld TDFN (Notes 7, 8)	42	4
9 Ld TDFN (Notes 7, 8)	42	4
Max Power Dissipation at +25 $^{\circ}C$ in Free Air		
10 Ld TDFN (Notes 7, 8)	3.0W	
9 Ld TDFN (Notes 7, 8)	3.1W	
Storage Temperature Range	-65 $^{\circ}C$ to +150 $^{\circ}C$	
Junction Temperature Range	-55 $^{\circ}C$ to +150 $^{\circ}C$	
Pb-free reflow profile	see link below	
	<a href="http://www.intersil.com/pbfree/Pb-FreeReflow.asp">http://www.intersil.com/pbfree/Pb-FreeReflow.asp</a>	

## ESD Ratings

Human Body Model Class 2 (Tested per JESD22-A114E)	3000V
Machine Model Class B (Tested per JESD22-A115-A)	300V
Charged Device Model Class IV	2000V

**Electrical Specifications**  $V_{DD} = V_{HB} = 12V$ ,  $V_{SS} = V_{HS} = 0V$ ,  $R_{DT} = 0\Omega$ , PWM = 0V, No Load on LO or HO, Unless Otherwise Specified. Boldface limits apply over the operating temperature range, -40 $^{\circ}C$  to +125 $^{\circ}C$ .

PARAMETERS	SYMBOL	TEST CONDITIONS	$T_A = +25^{\circ}C$			$T_A = -40^{\circ}C$ to +125 $^{\circ}C$		UNITS
			MIN	TYP	MAX	MIN (Note 9)	MAX (Note 9)	
<b>SUPPLY CURRENTS</b>								
$V_{DD}$ Quiescent Current	$I_{DD80}$	$R_{DT} = 80k$	-	470	850	-	<b>900</b>	$\mu A$
	$I_{DD8k}$	$R_{DT} = 8k$	-	1.0	2.1	-	<b>2.2</b>	mA
$V_{DD}$ Operating Current	$I_{DD080k}$	$f = 500kHz$ , $R_{DT} = 80k$	-	2.5	3	-	<b>3</b>	mA
	$I_{DD08k}$	$f = 500kHz$ , $R_{DT} = 8k$	-	3.4	4	-	<b>4</b>	mA
Total HB Quiescent Current	$I_{HB}$	LI = HI = 0V	-	65	<b>115</b>	-	<b>150</b>	$\mu A$
Total HB Operating Current	$I_{HB0}$	$f = 500kHz$	-	2.0	2.5	-	<b>3</b>	mA
HB to $V_{SS}$ Current, Quiescent	$I_{HBS}$	LI = HI = 0V; $V_{HB} = V_{HS} = 114V$	-	0.05	1.5	-	<b>10</b>	$\mu A$
HB to $V_{SS}$ Current, Operating	$I_{HBS0}$	$f = 500kHz$ ; $V_{HB} = V_{HS} = 114V$	-	1.2	1.5	-	<b>1.6</b>	mA
<b>INPUT PINS</b>								
Low Level Input Voltage Threshold	$V_{IL}$	HIP2120 (CMOS)	3.7	4.4	-	2.7	-	V
Low Level Input Voltage Threshold	$V_{IL}$	HIP2121 (3.3V/TTL)	1.4	1.8	-	<b>1.2</b>	-	V
High Level Input Voltage Threshold	$V_{IH}$	HIP2120 (CMOS)	-	6.54	7.93	<b>5.3</b>	<b>8.2</b>	V
High Level Input Voltage Threshold	$V_{IH}$	HIP2121 ((3.3V/TTL)	-	1.8	2.2	-	<b>2.4</b>	V

# HIP2120, HIP2121

**Electrical Specifications**  $V_{DD} = V_{HB} = 12V$ ,  $V_{SS} = V_{HS} = 0V$ ,  $R_{DT} = 0\Omega$ , PWM = 0V, No Load on LO or HO, Unless Otherwise Specified. **Boldface limits apply over the operating temperature range, -40°C to +125°C. (Continued)**

PARAMETERS	SYMBOL	TEST CONDITIONS	$T_A = +25^\circ\text{C}$			$T_A = -40^\circ\text{C to } +125^\circ\text{C}$		UNITS
			MIN	TYP	MAX	MIN (Note 9)	MAX (Note 9)	
Input Voltage Hysteresis	$V_{IHYS}$	HIP2120 (CMOS)	-	2.2	-	-	-	V
Input Pull-down Resistance	$R_I$		-	210	-	<b>100</b>	<b>500</b>	k $\Omega$
<b>UNDERVOLTAGE PROTECTION</b>								
$V_{DD}$ Rising Threshold	$V_{DDR}$		6.8	7.3	7.8	<b>6.5</b>	<b>8.1</b>	V
$V_{DD}$ Threshold Hysteresis	$V_{DDH}$		-	0.6	-	-	-	V
HB Rising Threshold	$V_{HBR}$		6.2	6.9	7.5	<b>5.9</b>	<b>7.8</b>	V
HB Threshold Hysteresis	$V_{HBH}$		-	0.6	-	-	-	V
<b>BOOTSTRAP DIODE</b>								
Low Current Forward Voltage	$V_{DL}$	$I_{VDD-HB} = 100\text{mA}$	-	0.6	0.7	-	<b>0.8</b>	V
High Current Forward Voltage	$V_{DH}$	$I_{VDD-HB} = 100\text{mA}$	-	0.7	0.9	-	<b>1</b>	V
Dynamic Resistance	$R_D$	$I_{VDD-HB} = 100\text{mA}$	-	0.8	1	-	<b>1.5</b>	$\Omega$
<b>LO GATE DRIVER</b>								
Low Level Output Voltage	$V_{OLL}$	$I_{LO} = 100\text{mA}$	-	0.25	0.4	-	<b>0.5</b>	V
High Level Output Voltage	$V_{OHL}$	$I_{LO} = -100\text{mA}$ , $V_{OHL} = V_{DD} - V_{LO}$	-	0.25	0.4	-	<b>0.5</b>	V
Peak Pull-Up Current	$I_{OHL}$	$V_{LO} = 0V$	-	2	-	-	-	A
Peak Pull-Down Current	$I_{OLL}$	$V_{LO} = 12V$	-	2	-	-	-	A
<b>HO GATE DRIVER</b>								
Low Level Output Voltage	$V_{OLH}$	$I_{HO} = 100\text{mA}$	-	0.25	0.4	-	<b>0.5</b>	V
High Level Output Voltage	$V_{OHH}$	$I_{HO} = -100\text{mA}$ , $V_{OHH} = V_{HB} - V_{HO}$	-	0.25	0.4	-	<b>0.5</b>	V
Peak Pull-Up Current	$I_{OHH}$	$V_{HO} = 0V$	-	2	-	-	-	A
Peak Pull-Down Current	$I_{OLH}$	$V_{HO} = 12V$	-	2	-	-	-	A

**Switching Specifications**  $V_{DD} = V_{HB} = 12V$ ,  $V_{SS} = V_{HS} = 0V$ ,  $R_{DT} = 0\text{k}\Omega$ , No Load on LO or HO, Unless Otherwise Specified. **Boldface limits apply over the operating temperature range, -40°C to +125°C.**

PARAMETERS	SYMBOL	TEST CONDITIONS	$T_J = +25^\circ\text{C}$			$T_J = -40^\circ\text{C to } +125^\circ\text{C}$		UNITS
			MIN	TYPE	MAX	MIN (Note 9)	MAX (Note 9)	
HO Turn-Off Propagation Delay PWM Falling to HO Falling	$t_{PLHO}$		-	32	50	-	60	ns
LO Turn-Off Propagation Delay PWM Rising to LO Falling	$t_{PLLO}$		-	32	50	-	60	ns
Minimum Dead-Time Delay (see Note 10) HO Falling to LO Rising	$t_{DTHmin}$	$R_{DT} = 80\text{k}$ , PWM 1 to 0	15	35	50	10	60	ns
Minimum Dead-Time Delay (see Note 10) LO Falling to HO Rising	$t_{DTLmin}$	$R_{DT} = 80\text{k}$ , PWM 0 to 1	15	25	50	10	60	ns
Maximum Dead-Time Delay (see Note 10) HO Falling to LO Rising	$t_{DTHmax}$	$R_{DT} = 8\text{k}$ , PWM 1 to 0	150	220	300	-	-	ns
Maximum Dead-Time Delay (see Note 10) LO Falling to HO Rising	$t_{DTLmax}$	$R_{DT} = 8\text{k}$ , PWM 0 to 1	150	220	300	-	-	ns
Either Output Rise/Fall Time (10% to 90%/90% to 10%)	$t_{RC}, t_{FC}$	$C_L = 1\text{nF}$	-	10	-	-	-	ns

# HIP2120, HIP2121

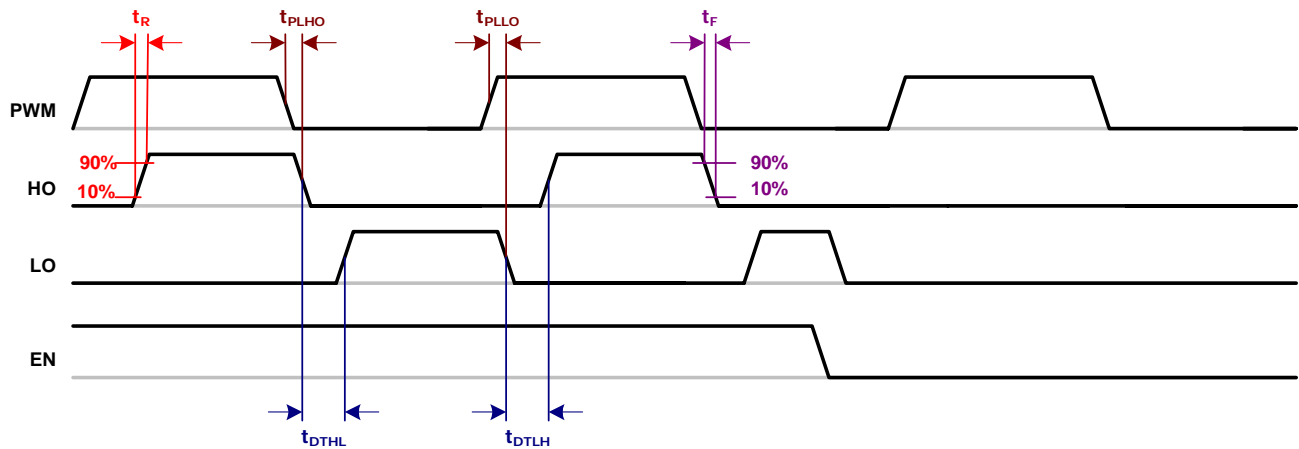
**Switching Specifications**  $V_{DD} = V_{HB} = 12V$ ,  $V_{SS} = V_{HS} = 0V$ ,  $R_{DT} = 0k\Omega$ , No Load on LO or HO, Unless Otherwise Specified. **Boldface** limits apply over the operating temperature range,  $-40^{\circ}C$  to  $+125^{\circ}C$ . (Continued)

PARAMETERS	SYMBOL	TEST CONDITIONS	$T_J = +25^{\circ}C$			$T_J = -40^{\circ}C$ to $+125^{\circ}C$		UNITS
			MIN	TYPE	MAX	MIN (Note 9)	MAX (Note 9)	
Either Output Rise/Fall Time (3V to 9V/9V to 3V)	$t_R, t_F$	$C_L = 0.1mF$	-	0.5	0.6	-	0.8	$\mu s$
Bootstrap Diode Turn-On or Turn-Off Time	$t_{BS}$		-	10	-	-	-	ns

**NOTES:**

- Parameters with MIN and/or MAX limits are 100% tested at  $+25^{\circ}C$ , unless otherwise specified. Temperature limits are established by characterization and are not production tested.
- Dead-Time is defined as the period of time between the LO falling and HO rising or between HO falling and LO rising.

## Timing Diagram



## Typical Performance Curves

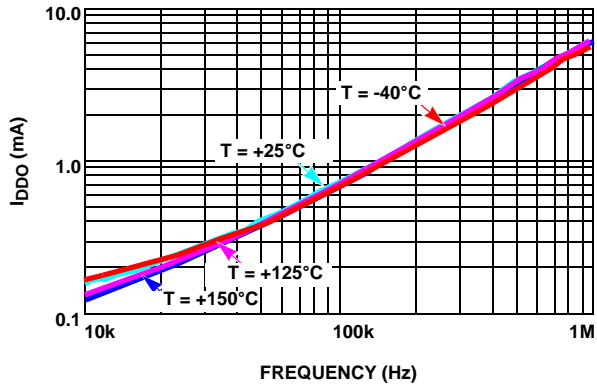


FIGURE 3. HIP2120  $I_{DD}$  OPERATING CURRENT vs FREQUENCY

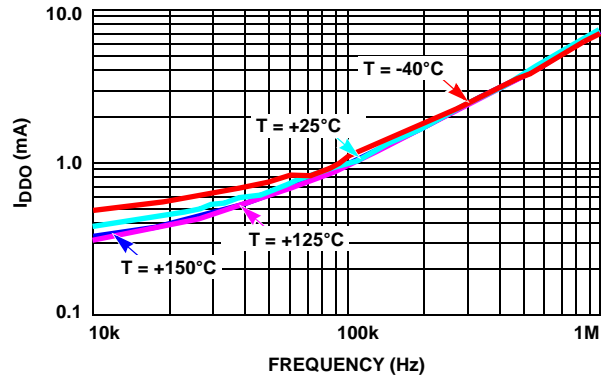


FIGURE 4. HIP2121  $I_{DD}$  OPERATING CURRENT vs FREQUENCY

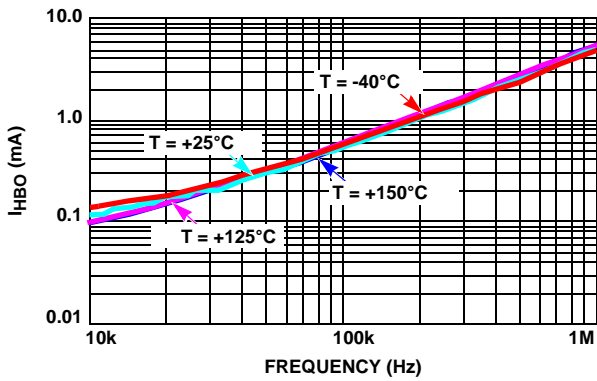


FIGURE 5.  $I_{HB}$  OPERATING CURRENT vs FREQUENCY

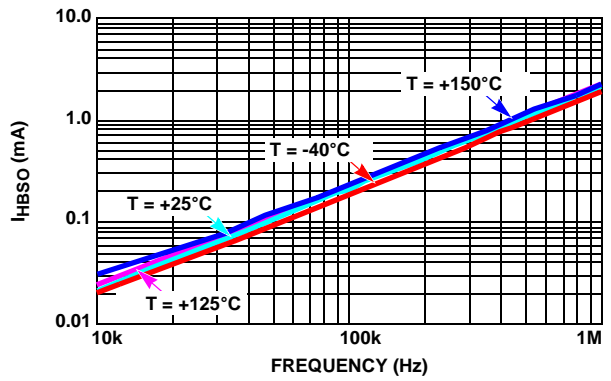


FIGURE 6.  $I_{HBS}$  OPERATING CURRENT vs FREQUENCY

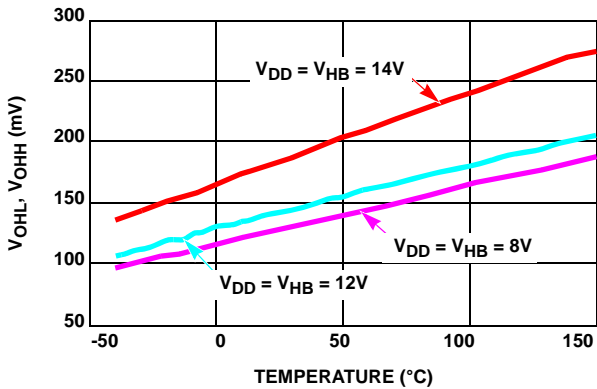


FIGURE 7. HIGH LEVEL OUTPUT VOLTAGE vs TEMPERATURE

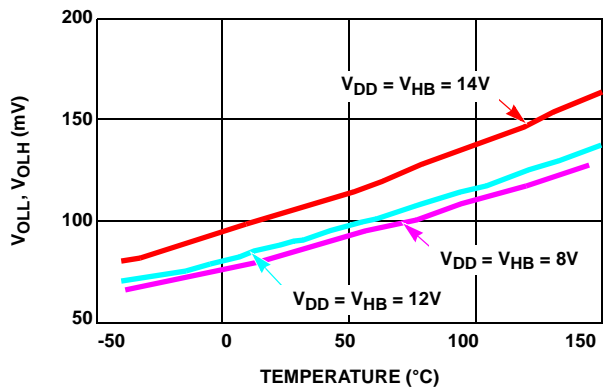


FIGURE 8. LOW LEVEL OUTPUT VOLTAGE vs TEMPERATURE



# HIP2120, HIP2121

## Typical Performance Curves (Continued)

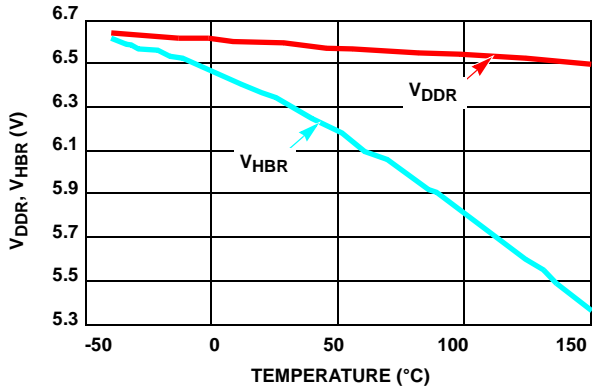


FIGURE 9. UNDERVOLTAGE LOCKOUT THRESHOLD vs TEMPERATURE

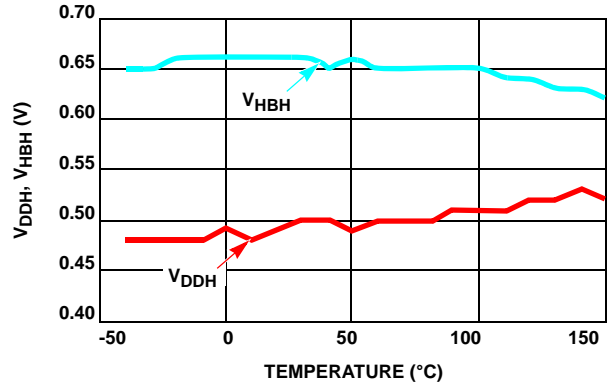


FIGURE 10. UNDERVOLTAGE LOCKOUT HYSTERESIS vs TEMPERATURE

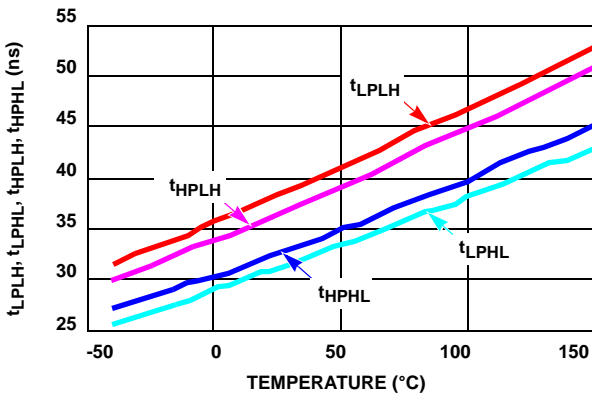


FIGURE 11. HIP2120 PROPAGATION DELAYS vs TEMPERATURE

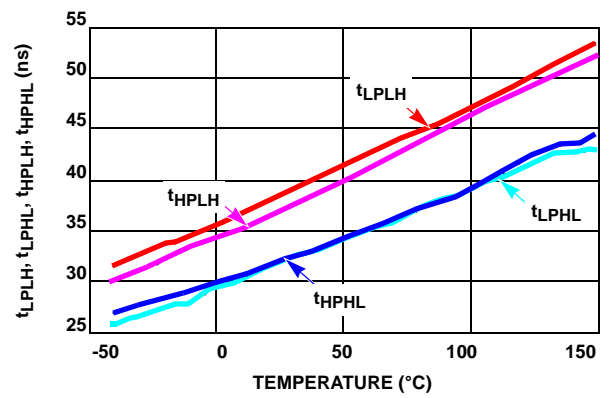


FIGURE 12. HIP2121 PROPAGATION DELAYS vs TEMPERATURE

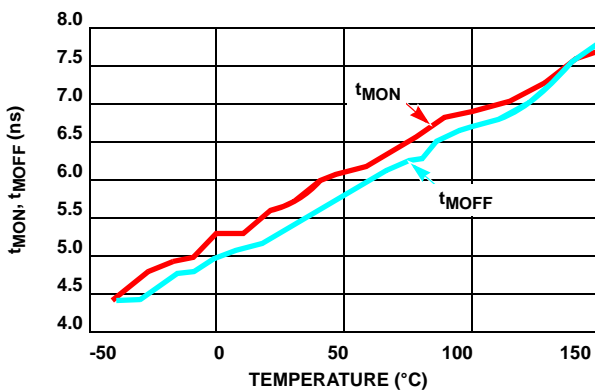


FIGURE 13. HIP2120 DELAY MATCHING vs TEMPERATURE

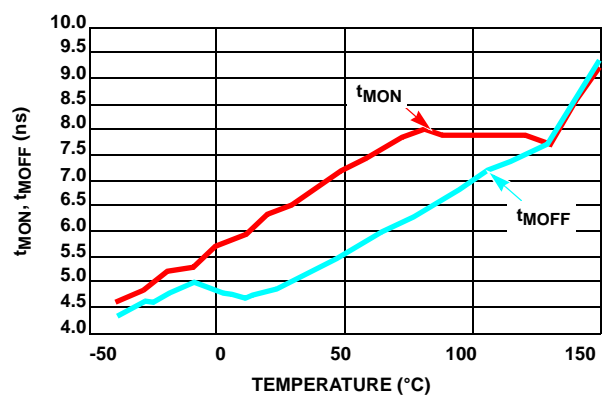


FIGURE 14. HIP2121 DELAY MATCHING vs TEMPERATURE

# HIP2120, HIP2121

## Typical Performance Curves (Continued)

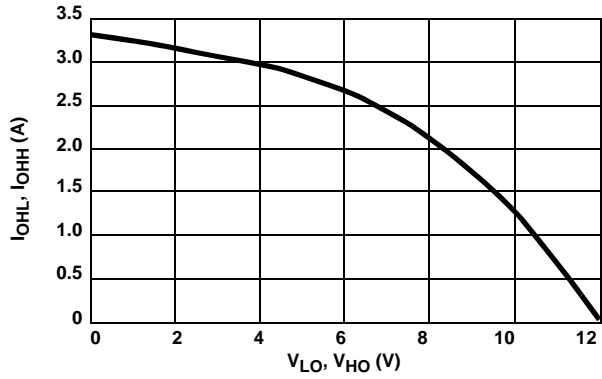


FIGURE 15. PEAK PULL-UP CURRENT vs OUTPUT VOLTAGE

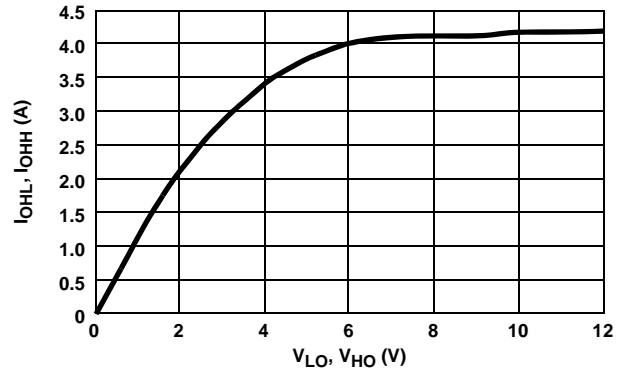


FIGURE 16. PEAK PULL-DOWN CURRENT vs OUTPUT VOLTAGE

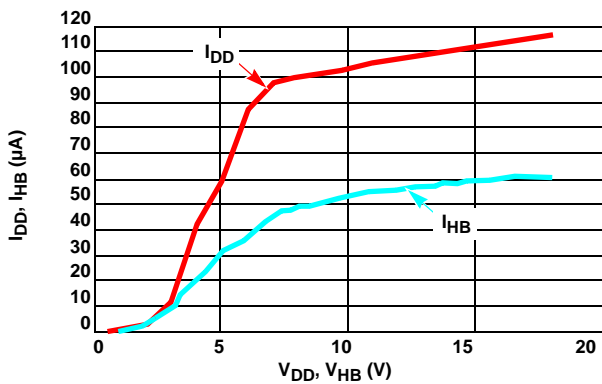


FIGURE 17. HIP2120 QUIESCENT CURRENT vs VOLTAGE

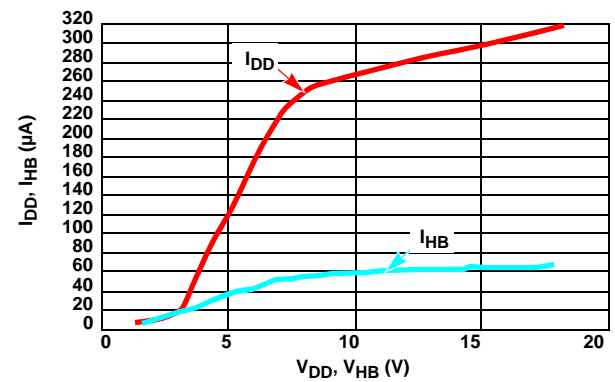


FIGURE 18. HIP2121 QUIESCENT CURRENT vs VOLTAGE

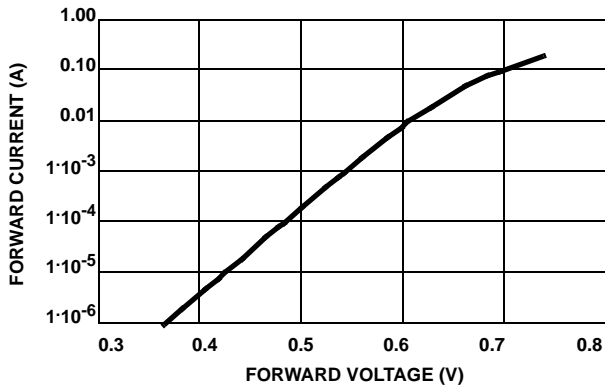


FIGURE 19. BOOTSTRAP DIODE I-V CHARACTERISTICS

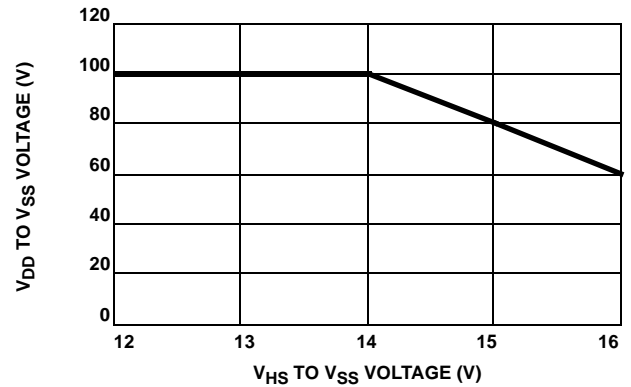


FIGURE 20. V<sub>HS</sub> VOLTAGE vs V<sub>DD</sub> VOLTAGE

## Functional Description

### Functional Overview

When connected to a half bridge, the output of the bridge on the HS node follows the PWM input. In other words, when the PWM input is high, the high-side bridge FET is turned on and the low-side FET is off. When the PWM input is low, the low-side bridge FET is turned on and the high-side is turned off. The enable pin (EN), when low, drives both outputs to a low state.

When the PWM input transitions high or low, it is necessary to insure that both bridge FETs are not on at the same time to prevent shoot-through currents (break before make). The internal programmable timers delay the rising edge of either output resulting with both outputs being off before either of the bridge FETs is driven on. An 8kΩ resistor connected between R<sub>DT</sub> and VSS results in a nominal dead time of 220ns. An 80kΩ results with a minimum nominal dead time of 25ns. Resistor values less than 8k and greater than 80k are not recommended.

The high-side driver bias is established by the boot capacitor connected between HB and HS. The charge on the boot capacitor is provided by the internal boot diode that is connected to V<sub>DD</sub>. The current path to charge the boot capacitor occurs when the low-side bridge FET is on. This charge current is limited in amplitude by the inherent resistance of the boot diode and by the drain-source voltage of the low-side FET. Assuming that the on time of the low-side FET is sufficiently long to fully charge the boot capacitor, the boot voltage will charge very close to V<sub>DD</sub> (less the boot diode drop and the low-side FET on voltage).

When the PWM input transitions high, the high-side bridge FET is driven on after the dead time. Because the HS node is connected to the source of the high-side FET, the HS node will rise almost to the level of the bridge voltage (less the conduction voltage across the bridge FET). Because the boot capacitor voltage is referenced to the source voltage of the high-side FET, the HB node is V<sub>DD</sub> volts above the HS node and the boot diode is reversed biased. Because the high-side driver circuit is referenced to the HS node, the HO output is now approximately V<sub>HB</sub> + V<sub>BRIDGE</sub> above ground.

During the low to high transition of the HS node, the boot capacitor sources the necessary gate charge to fully enhance the high-side bridge FET gate. After the gate is fully charged, the boot capacitor no longer sources the charge to the gate but continues to provide bias current to the high-side driver. It is clear that the charge of the boot capacitor must be substantially larger than the required charge of the high-side FET and high-side driver otherwise the boot voltage will sag excessively. If the boot capacitor value is too small for the required maximum of on-time of the high-side FET, the high-side UV lockout may engage resulting with an unexpected operation.

## Application Information

### Selecting the Boot Capacitor Value

The boot capacitor value is chosen not only to supply the internal bias current of the high-side driver but also, and more significantly, to provide the gate charge of the driven FET without causing the boot voltage to sag excessively. In practice, the boot capacitor should have a total charge that is about 20 times the

gate charge of the driven power FET for approximately a 5% drop in voltage after the charge has been transferred from the boot capacitor to the gate capacitance.

The following parameters are required to calculate the value of the boot capacitor for a specific amount of voltage droop. In this example, the values used are arbitrary. They should be changed to comply with the actual application.

V <sub>DD</sub> = 10V	V <sub>DD</sub> can be any value between 7 and 14VDC
V <sub>HB</sub> = V <sub>DD</sub> - 0.6V = V <sub>HO</sub>	High side driver bias voltage (V <sub>DD</sub> - boot diode voltage) referenced to V <sub>HS</sub>
Period = 1ms	This is the longest expected switching period
I <sub>HB</sub> = 100μA	Worst case high side driver current when xHO = high (this value is specified for V <sub>DD</sub> = 12V but the error is not significant)
R <sub>GS</sub> = 100kΩ	Gate-source resistor (usually not needed)
Ripple = 5%	Desired ripple voltage on the boot cap (larger ripple is not recommended)
I <sub>gate_leak</sub> = 100nA	From the FET vendor's datasheet
Q <sub>gate80V</sub> = 64nC	From Figure 21

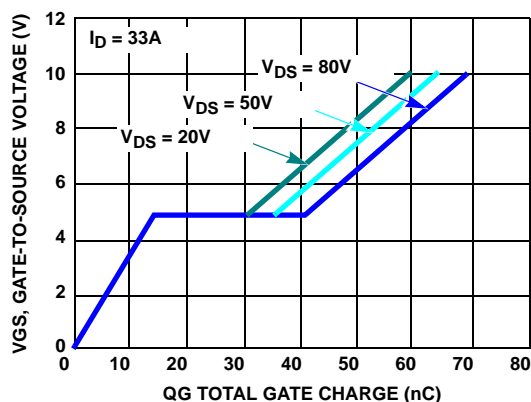


FIGURE 21. TYPICAL GATE CHARGE OF A POWER FET

The following equations calculate the total charge required for the Period. This equation assumes that all of the parameters are constant during the period duration. The error is insignificant if the ripple is small.

$$Q_c = Q_{\text{gate80V}} + \text{Period} \times (I_{\text{HB}} + V_{\text{HO}}/R_{\text{GS}} + I_{\text{gate\_leak}})$$

$$C_{\text{boot}} = Q_c / (\text{Ripple} \times V_{\text{DD}})$$

$$C_{\text{boot}} = 0.52\mu\text{F}$$

If the gate to source resistor is removed (R<sub>GS</sub> is usually not needed or recommended), then:

$$C_{\text{boot}} = 0.33\mu\text{F}$$

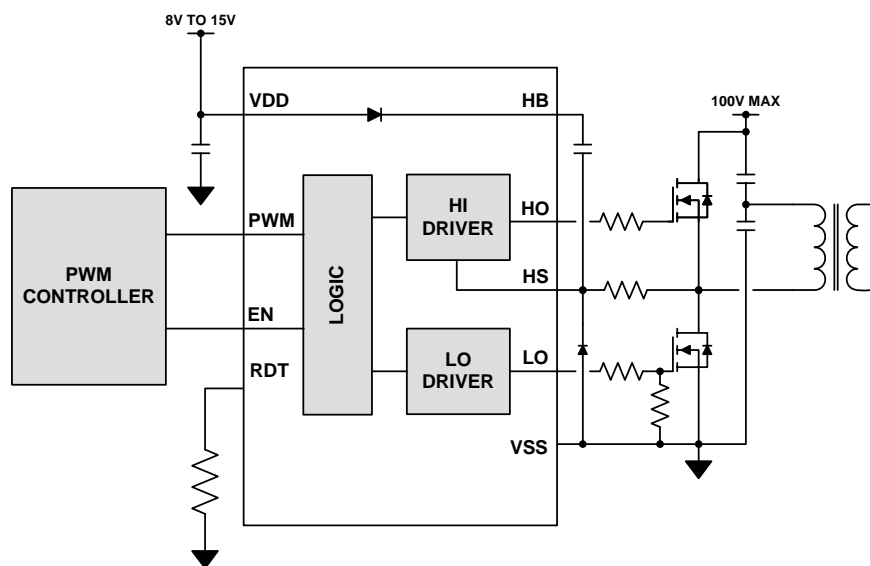


FIGURE 22. TYPICAL HALF BRIDGE APPLICATION

## Typical Application Circuit

Figure 22 is an example of how the HIP2120/21 can be configured for a half bridge power supply application.

Depending on the application, the switching speed of the bridge FETs can be reduced by adding series connected resistors between the xHO outputs and the FET gates. Gate-Source resistors are recommended on the low-side FETs to prevent unexpected turn-on of the bridge should the bridge voltage be applied before VDD. Gate-source resistors on the high-side FETs are not usually required if low-side gate-source resistors are used. If relatively small gate-source resistors are used on the high-side FETs, be aware that they will load the boot capacitor, which will then require a larger value for the boot capacitor.

## Transients on HS Node

An important operating condition that is frequently overlooked by designers is the negative transient on the xHS pins that occurs when the high side bridge FET turns off. The Absolute Maximum transient allowed on the xHS pin is -6V but it is wise to minimize the amplitude to lower levels. This transient is the result of the parasitic inductance of the low-side drain-source conductor on the PCB. Even the parasitic inductance of the low-side FET contributes to this transient.

When the high-side bridge FET turns off (see Figure 23), because of the inductive characteristics the load, the current that was flowing in the high-side FET (blue) must rapidly commutate to flow through the low-side FET (red). The amplitude of the negative transient impressed on the xHS node is  $(di/dt \times L)$  where L is the total parasitic inductance of the low-side FET drain-source path and  $di/dt$  is the rate at which the high-side FET is turned off. With the increasing power levels of power supplies and motor, clamping this transient become more and more significant for the proper operation of the HIP2120/21.

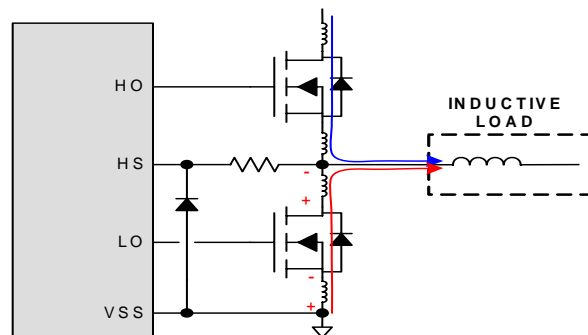


FIGURE 23. PARASITIC INDUCTANCE CAUSES TRANSIENTS ON HS NODE

There are several ways of reducing the amplitude of this transient. If the bridge FETs are turned off more slowly to reduce  $di/dt$ , the amplitude will be reduced but at the expense of more switching losses in the FETs. Careful PCB design will also reduce the value of the parasitic inductance. However, these two solutions by themselves may not be sufficient. Figure 19 illustrates a simple method for clamping the negative transient. A fast PN junction, 1A diode is connected between xHS and VSS as shown. It is important that this diode be placed as close as possible to the xHS and VSS pins to minimize the parasitic inductance of this current path. Because this clamping diode is essentially in parallel with the body diode of the low-side FET, a small value resistor is necessary to limit current when the body diode of the low-side bridge FET is conducting during the dead time.

Please note that a similar transient with a positive polarity occurs when the low-side FET turns off. This is less frequently a problem because xHS node is floating up toward the bridge bias voltage. The Absolute Max voltage rating for the xHS node does need to be observed when the positive transient occurs.

## Power Dissipation

The dissipation of the HIP2120/21 is dominated by the gate charge required by the driven bridge FETs and the switching frequency. The internal bias and boot diode also contribute to the total dissipation but these losses are usually insignificant compared to the gate charge losses.

The calculation of the power dissipation of the HIP2120/21 is very simple.

### GATE POWER (FOR THE HO AND LO OUTPUTS)

$$P_{\text{gate}} = 4 \times Q_{\text{gate}} \times \text{Freq} \times V_{\text{DD}}$$

where

$Q_{\text{gate}}$  is the charge of the driven bridge FET at VDD, and

Freq is the switching frequency.

### BOOT DIODE DISSIPATION

$$I_{\text{diode\_avg}} = Q_{\text{gate}} \times \text{Freq}$$

$$P_{\text{diode}} = I_{\text{diode\_avg}} \times 0.6V$$

where 0.6V is the diode conduction voltage

### BIAS CURRENT

$$P_{\text{bias}} = I_{\text{bias}} \times V_{\text{DD}}$$

where  $I_{\text{bias}}$  is the internal bias current of the HIP2120/21 at the switching frequency

### TOTAL POWER DISSIPATION

$$P_{\text{total}} = P_{\text{gate}} + P_{\text{diode}} + P_{\text{bias}}$$

### OPERATING TEMPERATURES

$$T_j = P_{\text{total}} \times \theta_{\text{JA}} + T_{\text{amb}}$$

where  $T_j$  is the junction temperature at the operating air temperature,  $T_{\text{amb}}$ , in the vicinity of the part.

$$T_j = P_{\text{total}} \times \theta_{\text{JC}} + T_{\text{PCB}}$$

where  $T_j$  is the junction temperature with the operating temperature of the PCB,  $T_{\text{PCB}}$ , measured where the EPAD is soldered.

## PC Board Layout

The AC performance of the HIP2120/21 depends significantly on the design of the PC board. The following layout design guidelines are recommended to achieve optimum performance from the HIP2120/21:

- Understand well how power currents flow. The high amplitude di/dt currents of the bridge FETs will induce significant voltage transients on the associated traces.

- Keep power loops as short as possible by paralleling the source and return traces.
- Use planes where practical; they're usually more effective than parallel traces.
- Planes can also be non-grounded nodes.
- Avoid paralleling high di/dt traces with low level signal lines. High di/dt will induce currents in the low level signal lines.
- When practical, minimize impedances in low level signal circuits; the noise, magnetically induced on a 10k resistor, is 10x larger than the noise on a 1k resistor.
- Be aware of magnetic fields emanating from transformers and inductors. Core gaps in these structures are especially bad for emitting flux.
- If you must have traces close to magnetic devices, align the traces so that they are parallel to the flux lines.
- The use of low inductance components such as chip resistors and chip capacitors is recommended.
- Use decoupling capacitors to reduce the influence of parasitic inductors. To be effective, these capacitors must also have the shortest possible lead lengths. If vias are used, connect several paralleled vias to reduce the inductance of the vias.
- It may be necessary to add resistance to dampen resonating parasitic circuits. The most likely circuit will be the HO and LO outputs. In PCB designs with long leads on the LI and HI inputs, it may also be necessary to add series resistors with the LI and HI inputs.
- Keep high dv/dt nodes away from low level circuits. Guard banding can be used to shunt away dv/dt injected currents from sensitive circuits. This is especially true for the PWM control circuits.
- Avoid having a signal ground plane under a high dv/dt circuit. This will inject high di/dt currents into the signal ground paths.
- Do power dissipation and voltage drop calculations of the power traces. Most PCB/CAD programs have built in tools for calculation of trace resistance.
- Large power components (Power FETs, Electrolytic capacitors, power resistors, etc.) will have internal parasitic inductance, which cannot be eliminated. This must be accounted for in the PCB layout and circuit design.
- If you simulate your circuits, consider including parasitic components.

# HIP2120, HIP2121

## EPAD Design Considerations

The thermal pad of the HIP2120/21 is electrically isolated. It's primary function is to provide heat sinking for the IC. It is recommended to tie the EPAD to V<sub>SS</sub> (GND).

Figure 24 is an example of how to use vias to remove heat from the IC substrate.

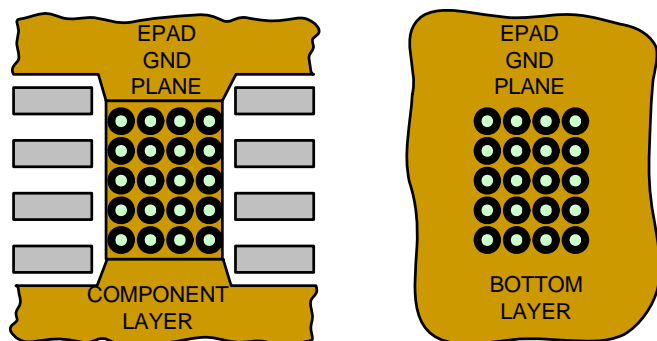


FIGURE 24. TYPICAL PCB PATTERN FOR THERMAL VIAS

Depending on the amount of power dissipated by the HIP2120/21, it may be necessary, to connect the EPAD to one or more ground plane layers. A via array, within the area of the EPAD, will conduct heat from the EPAD to the gnd plane on the bottom layer. If inner PCB layers are available, it is also desirable to connect these additional layers with the plated-through vias.

The number of vias and the size of the GND planes required for adequate heatsinking is determined by the power dissipated by the HIP2120/21, the air flow, and the maximum temperature of the air around the IC.

It is important that the vias have a low thermal resistance for efficient heat transfer. Do not use "thermal relief" patterns to connect the vias.

## Revision History

The revision history provided is for informational purposes only and is believed to be accurate, but not warranted. Please go to web to make sure you have the latest revision.

DATE	REVISION	CHANGE
December 23, 2011	FN7668.0	Initial Release

## Products

Intersil Corporation is a leader in the design and manufacture of high-performance analog semiconductors. The Company's products address some of the industry's fastest growing markets, such as, flat panel displays, cell phones, handheld products, and notebooks. Intersil's product families address power management and analog signal processing functions. Go to [www.intersil.com/products](http://www.intersil.com/products) for a complete list of Intersil product families.

For a complete listing of Applications, Related Documentation and Related Parts, please see the respective device information page on intersil.com: [HIP2120.HIP2121](http://www.intersil.com/HIP2120.HIP2121)

To report errors or suggestions for this datasheet, please go to: [www.intersil.com/askourstaff](http://www.intersil.com/askourstaff)

FITs are available from our website at: <http://rel.intersil.com/reports/search.php>

For additional products, see [www.intersil.com/product\\_tree](http://www.intersil.com/product_tree)

Intersil products are manufactured, assembled and tested utilizing ISO9000 quality systems as noted in the quality certifications found at [www.intersil.com/design/quality](http://www.intersil.com/design/quality)

*Intersil products are sold by description only. Intersil Corporation reserves the right to make changes in circuit design, software and/or specifications at any time without notice. Accordingly, the reader is cautioned to verify that data sheets are current before placing orders. Information furnished by Intersil is believed to be accurate and reliable. However, no responsibility is assumed by Intersil or its subsidiaries for its use; nor for any infringements of patents or other rights of third parties which may result from its use. No license is granted by implication or otherwise under any patent or patent rights of Intersil or its subsidiaries.*

For information regarding Intersil Corporation and its products, see [www.intersil.com](http://www.intersil.com)

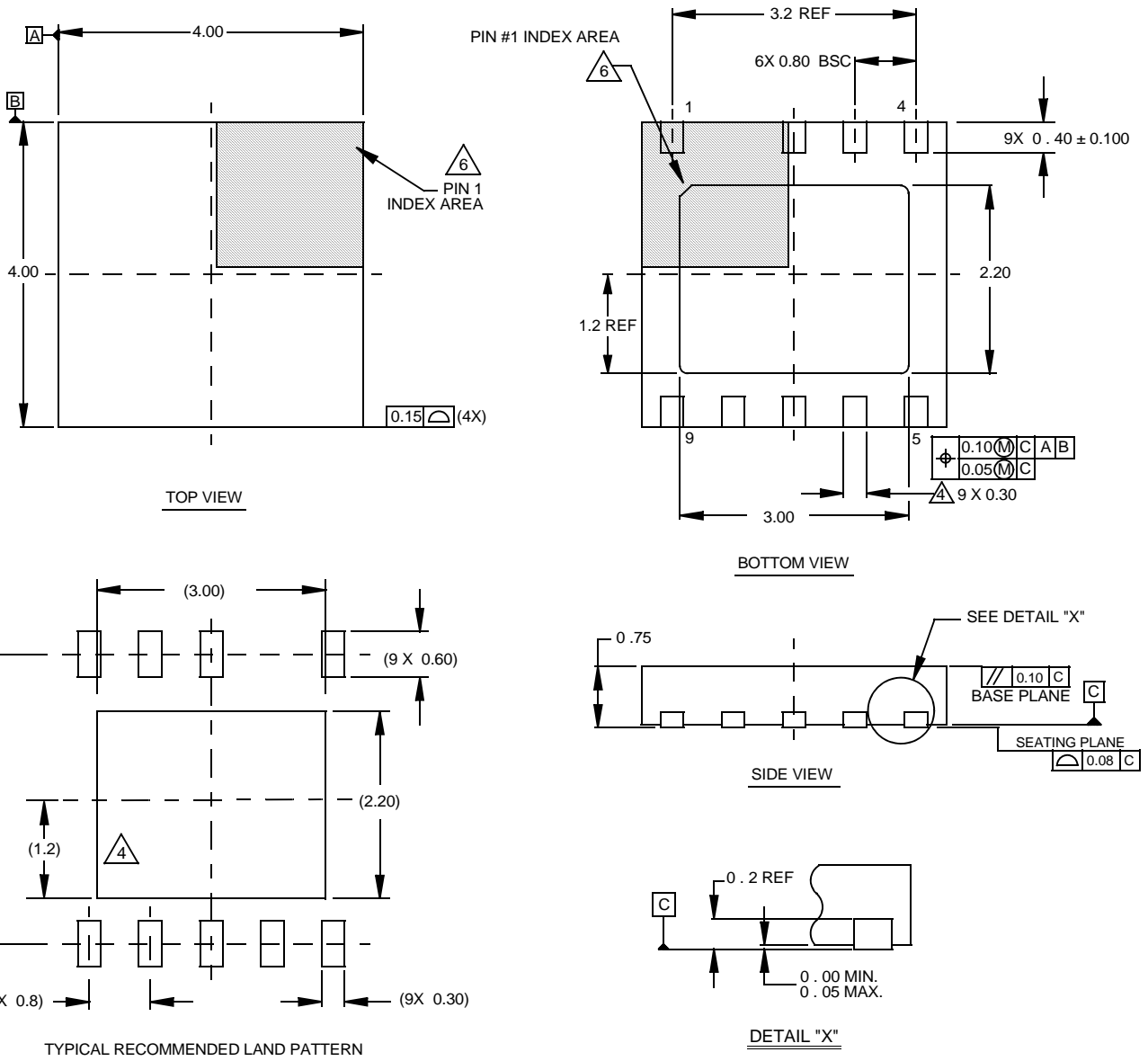
# HIP2120, HIP2121

## Package Outline Drawing

### L9.4x4

#### 9 LEAD THIN DUAL FLAT NO-LEAD PLASTIC PACKAGE

Rev 1, 1/10



#### NOTES:

1. Dimensions are in millimeters.  
Dimensions in ( ) for Reference Only.
2. Dimensioning and tolerancing conform to AMSE Y14.5m-1994.
3. Unless otherwise specified, tolerance : Decimal  $\pm 0.05$
4. E-Pad is offset from center.
5. Tiebar (if present) is a non-functional feature.
6. The configuration of the pin #1 identifier is optional, but must be located within the zone indicated. The pin #1 identifier may be either a mold or mark feature.

