

**NEW**

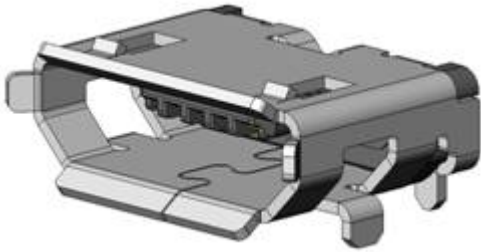


## USB 2.0 Compatible Micro Connectors

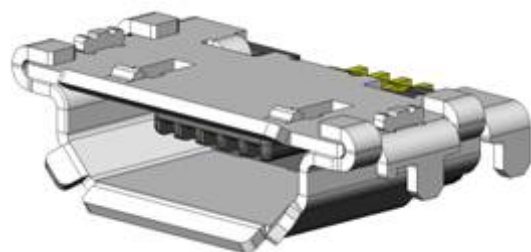
# DX4 Series

CONNECTOR  
MB-0187-2  
November 2012

**RoHS Compliant**



On-board Type

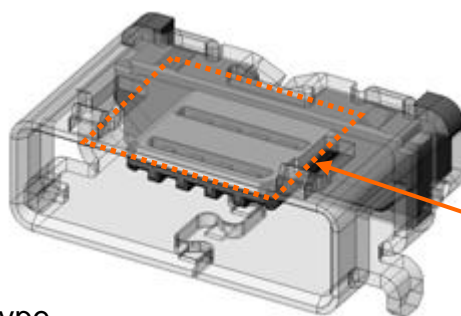


Mid-mount Type

The DX4 Series is a set of connectors compatible with the Micro-USB type USB 2.0 for small devices standardized by the USB Implementers Forum, Inc.

### Features

- Compatible with Universal Serial Bus Micro-USB Cables and Connectors Specification, Revision 1.01.
- Connector type: USB 2.0 compatible, Micro types
- Au plating over Pd over Ni is used for mating cycle durability and long product life.
- Superior rigidity with high-strength stainless steel shell.
- Available in a variety of versions to suit diverse device configurations.
- Two-piece shell structure for mid-mount type to prevent contact failure due to flux scattering during reflow.
- Available in reinforced type, with reinforcement plate set in mating area to prevent damage from plug caused by misaligned mating. (Refer to drawing below)



Reinforcement plate of mating area

### Mating Area Reinforced Type

\*In the above drawing the shell is transparent for illustration purposes to show the reinforcement plate.

### General Specifications

- |   |                                   |
|---|-----------------------------------|
| ■No. of Contacts: 5 positions               | ■Rated Current: 1.8A (Vbus, GND)  |
| ■Contact Resistance:                        | Others DC0.5A                     |
| 30m ohm max. (initial)                      | ■Rated Voltage: AC30Vrms          |
| ■Dielectric Withstanding Voltage:           | ■Durability: 10,000 mating cycles |
| AC500Vrms per minute                        | ■Operating temperature:           |
| ■Insulation Resistance: 1000M ohm (initial) | -30 Deg. C to +80 Deg. C          |

**Materials and Finishes**

Component	Material and Finish
Insulator	Synthetic Resin
Contact	Copper alloy / Contact area: Au plating over Pd over Ni Terminal area: Au flash plating over Ni
Shell	Stainless Steel / Sn plating over Ni

\*For more information please refer to individual product drawings.

**Ordering Information**

**DX4 R 0 05 J J 2 R1800**

Series  
DX4: USB2.0 Micro

R: Receptacle

Modification Code #1

No. of Contacts: 5 pos.

Reel: 1800 pcs. / reel

Modification Code: #2

Plating Specification

J: Contact area: Au plating over Pd over Ni

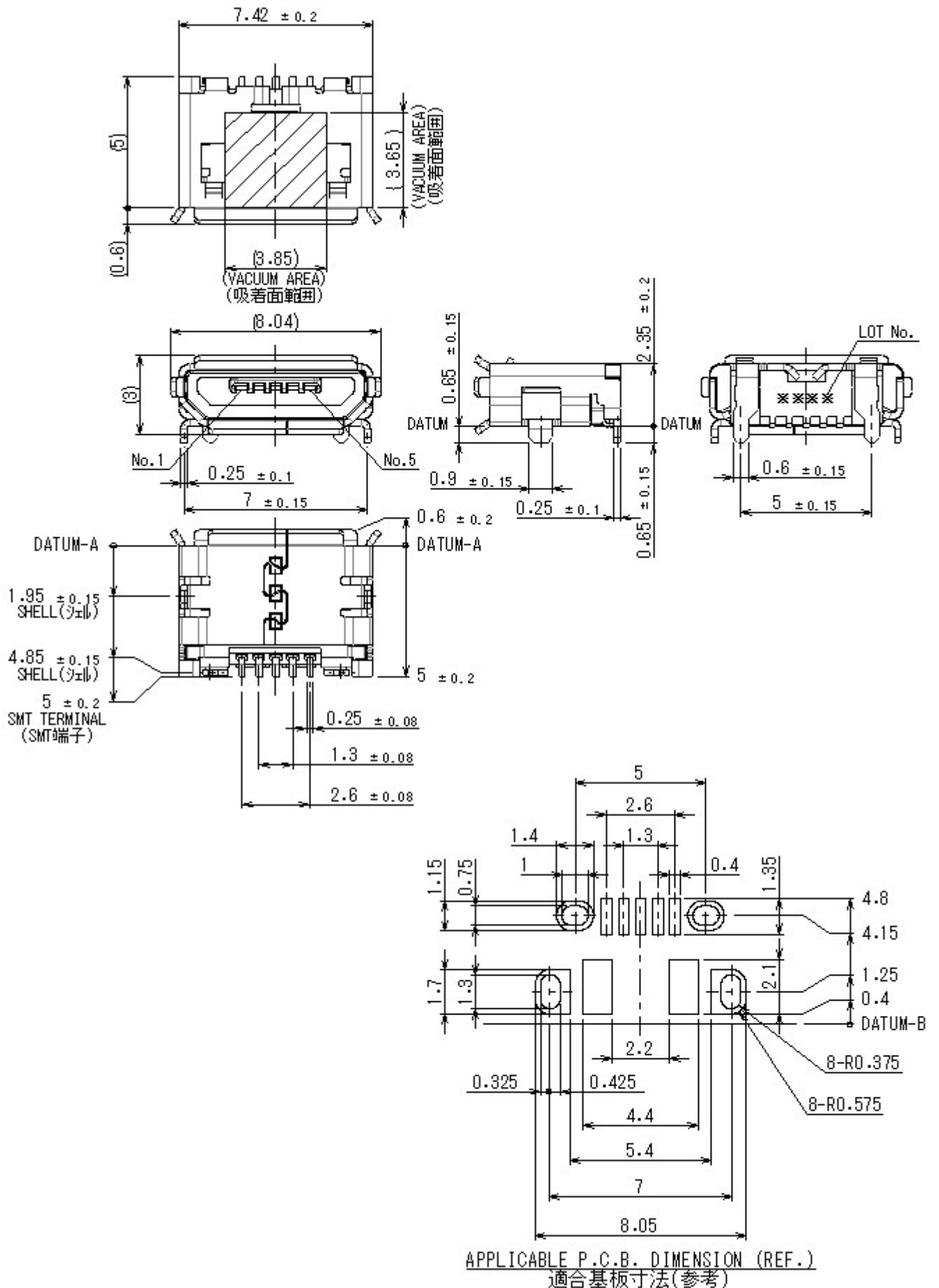
Board Connection Type (Shell area)

J: Through-hole type, H: Hold-down type

Micro-USB Connector Type	Part Number	SJ Drawing	Specification	Mounting Type	Mating Taper	Mating Area Reinforcement Plate
Type B	DX4R005JJ2 (Individual Unit)	SJ110578	JACS-30162	On-board	Yes	No (Standard Type)
	DX4R005JJ2R1800 (Reel Unit)	SJ110579				
	DX4R005HJ5 (Individual Unit)	SJ111770	JACS-30185	On-board	No	
	DX4R005HJ5R2000 (Reel Unit)	SJ111771				
	DX4R005JJ6 (Individual Unit)	SJ112420	JACS-30251	Mid-mount	Yes	
	DX4R005JJ6R1500 (Reel Unit)	SJ112421				
	DX4R005JJ7 (Individual Unit)	SJ112422	JACS-30252	Mid-mount	No	
	DX4R005JJ7R1500 (Reel Unit)	SJ112423				
	DX4RN05JJ2 (Individual Unit)	SJ112296	JACS-30247-1	Mid-mount	Yes	
	DX4RN05JJ2R2000 (Reel Unit)	SJ112297				
DX4RN05JJ3 (Individual Unit)	SJ112800	JACS-30257	Mid-mount	No		
DX4RN05JJ3R2000 (Reel Unit)	SJ112801					
Type AB	DX4R105JJC (Individual Unit)	SJ113218	JACS-30281	On-board	Reverse	Yes (Mating Area Reinforced Type)
	DX4R105JJCR1800 (Reel Unit)	SJ113219				
	DX4R205JJA (Individual Unit)	SJ112925	JACS-30267	On-board	No	
	DX4R205JJAR1800 (Reel Unit)	SJ112926				
	DX4R305JJB (Individual Unit)	SJ112927	JACS-30268	Mid-mount	Yes	
	DX4R305JJBR1800 (Reel Unit)	SJ112928				
	DX4R205JJ8 (Individual Unit)	SJ112802	JACS-30258	Mid-mount	No	
	DX4R205JJ8R2000 (Reel Unit)	SJ112803				
	DX4R205JJ9 (Individual Unit)	SJ112804	JACS-30259	Mid-mount	No	
	DX4R205JJ9R2000 (Reel Unit)	SJ112805				

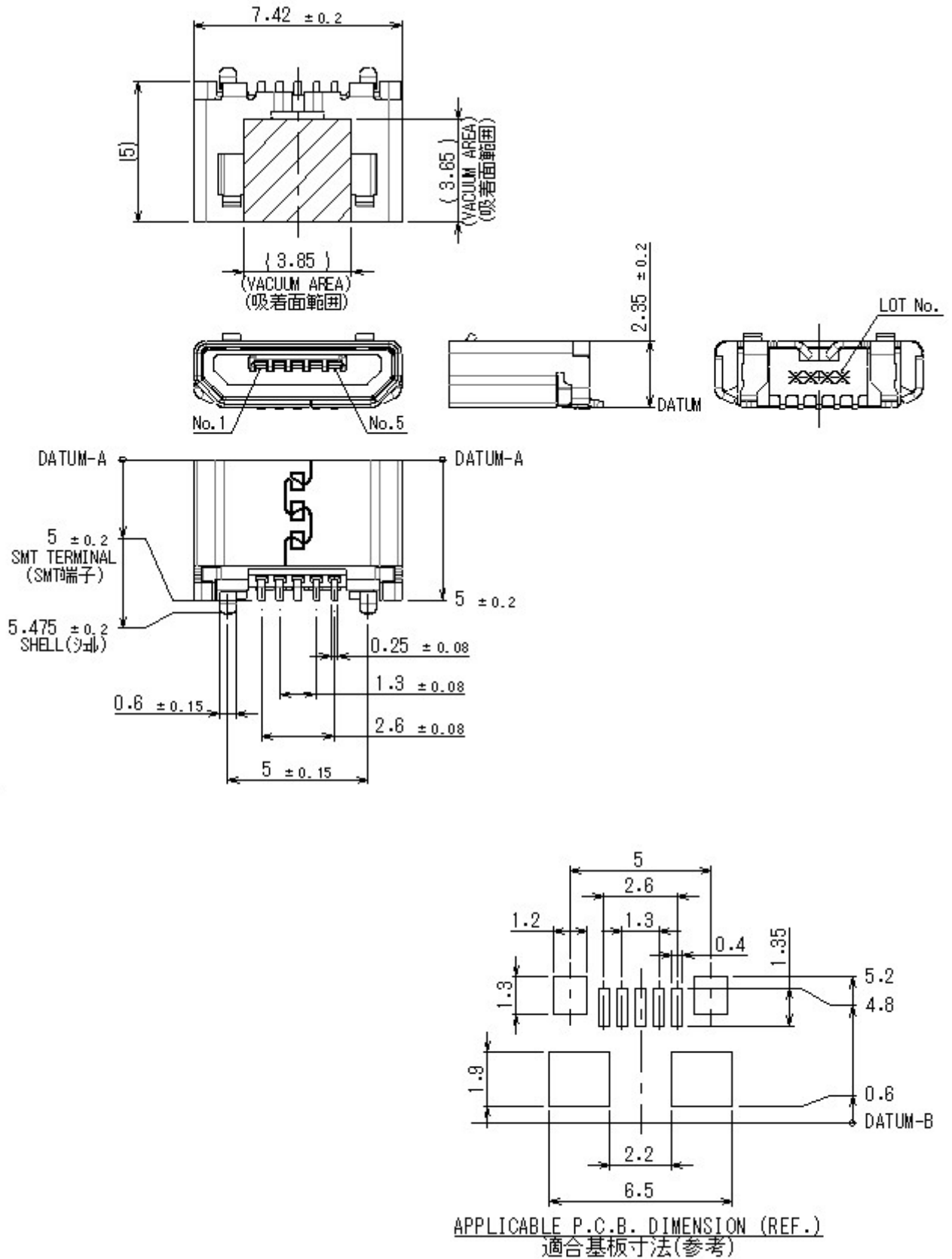
Note: Please place orders in reel units.

Standard Type (Micro-B): DX4R005JJ2



Standard Type (Micro-B): DX4R005HJ5

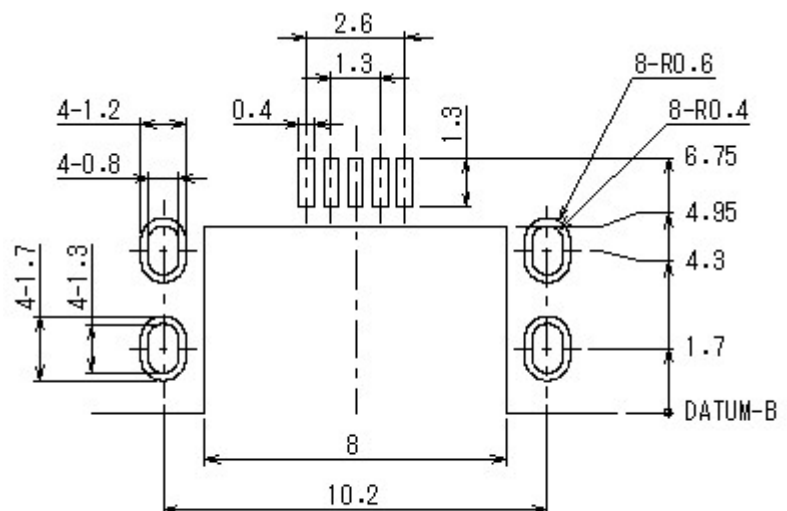
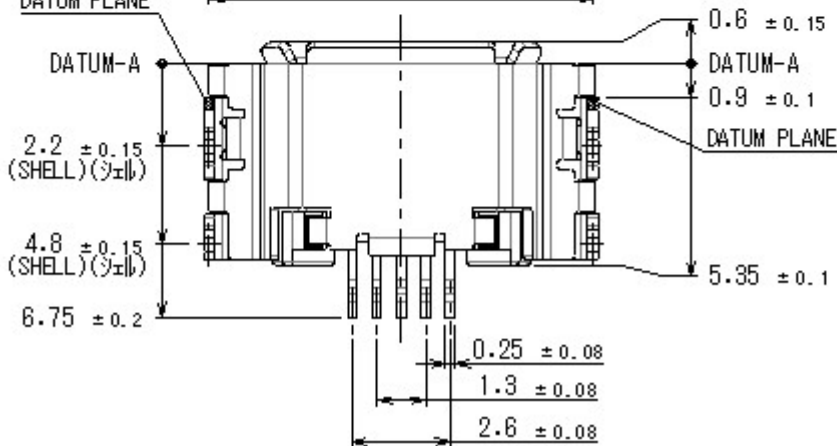
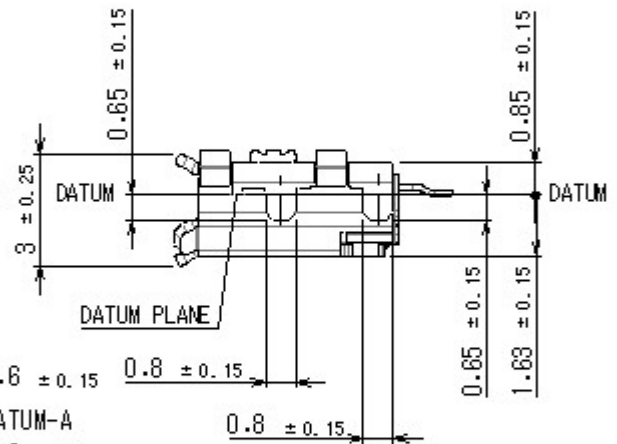
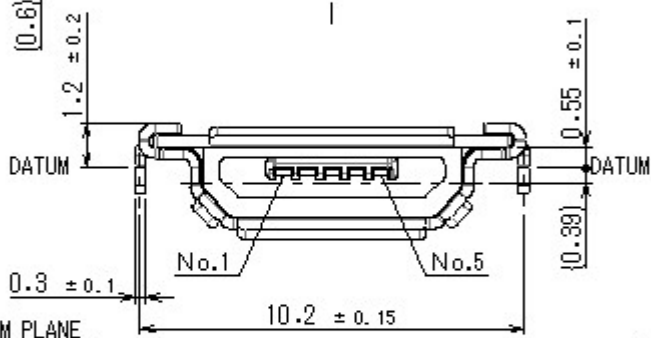
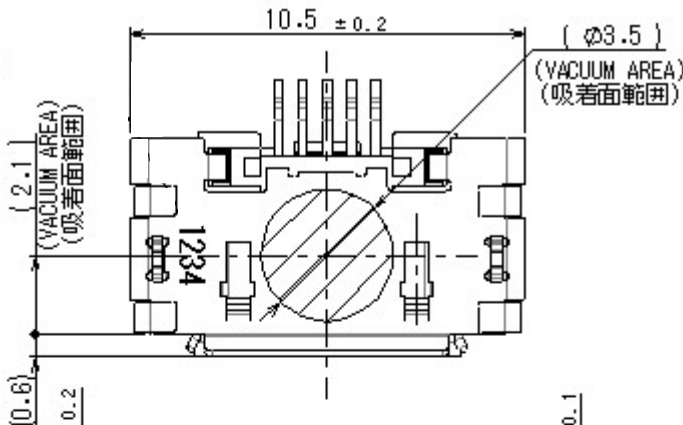
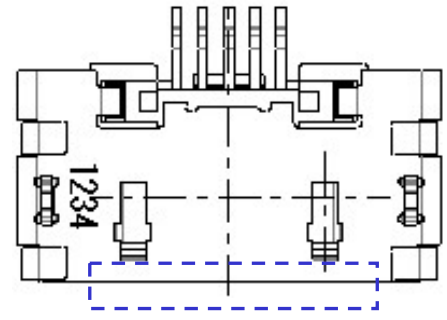
Unit: mm



Standard Type (Micro-B): DX4R005JJ6

Unit: mm

Type without mating area taper (DX4R005JJ7)  
 \*Design is same as DX4R005JJ6 except the mating area taper.

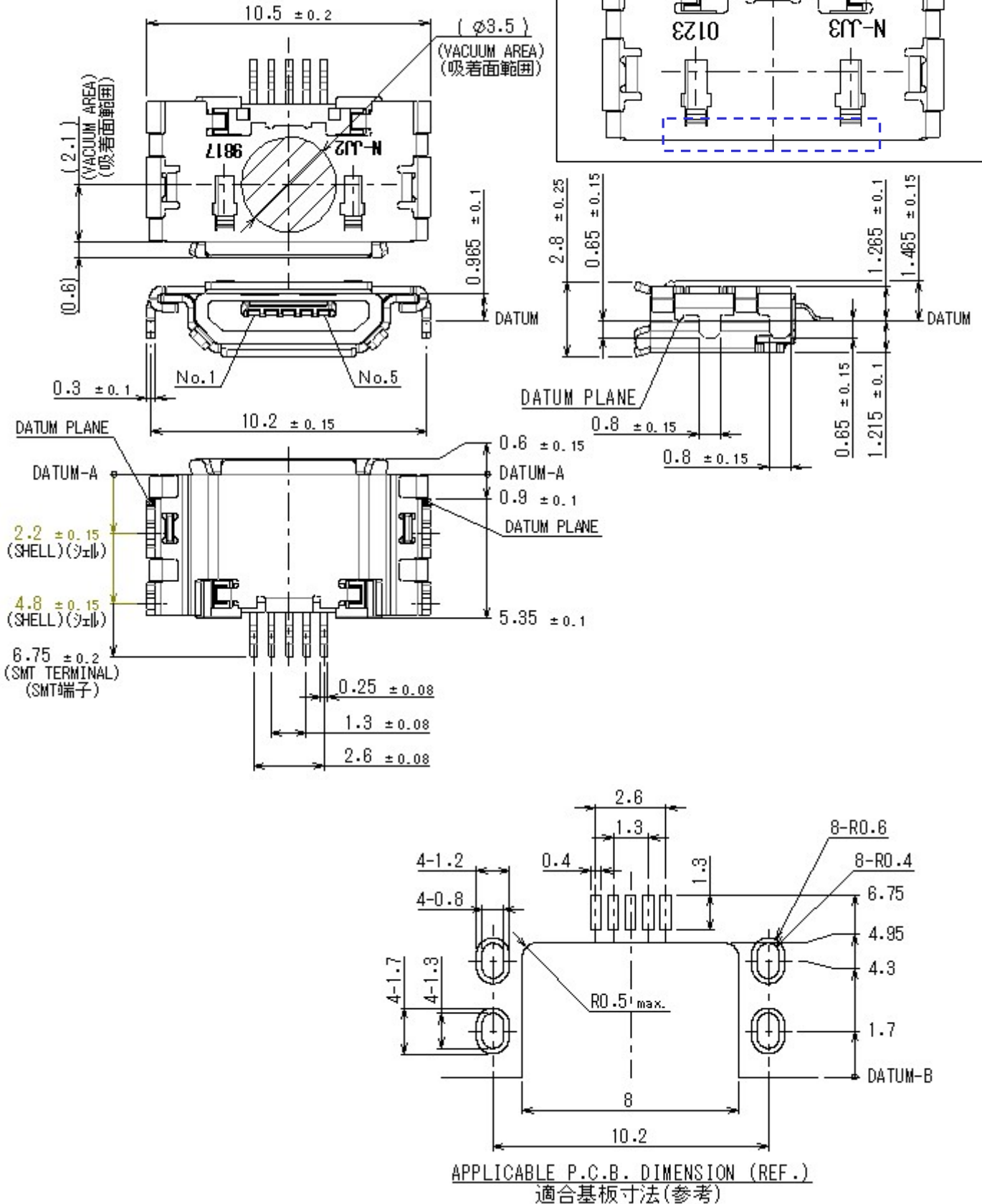


APPLICABLE P.C.B. DIMENSION (REF.)  
 適合基板寸法(参考)

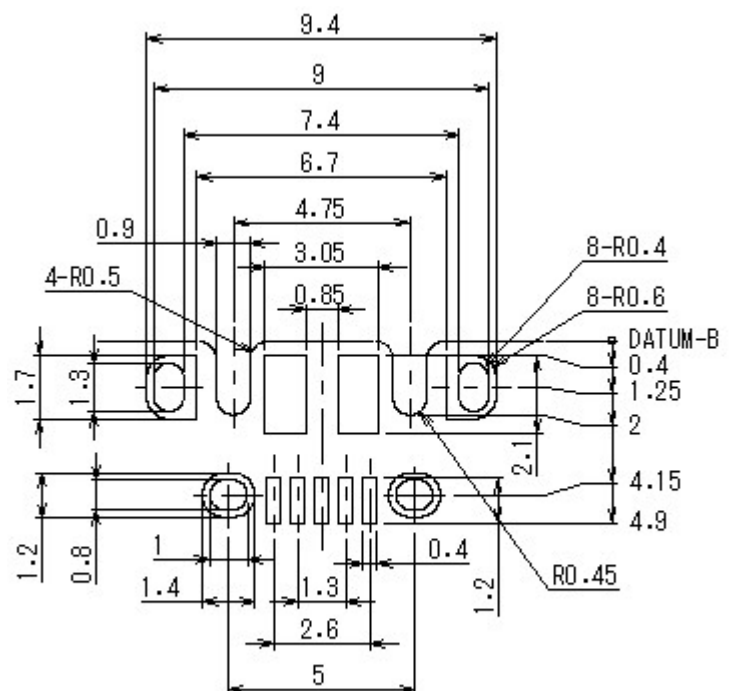
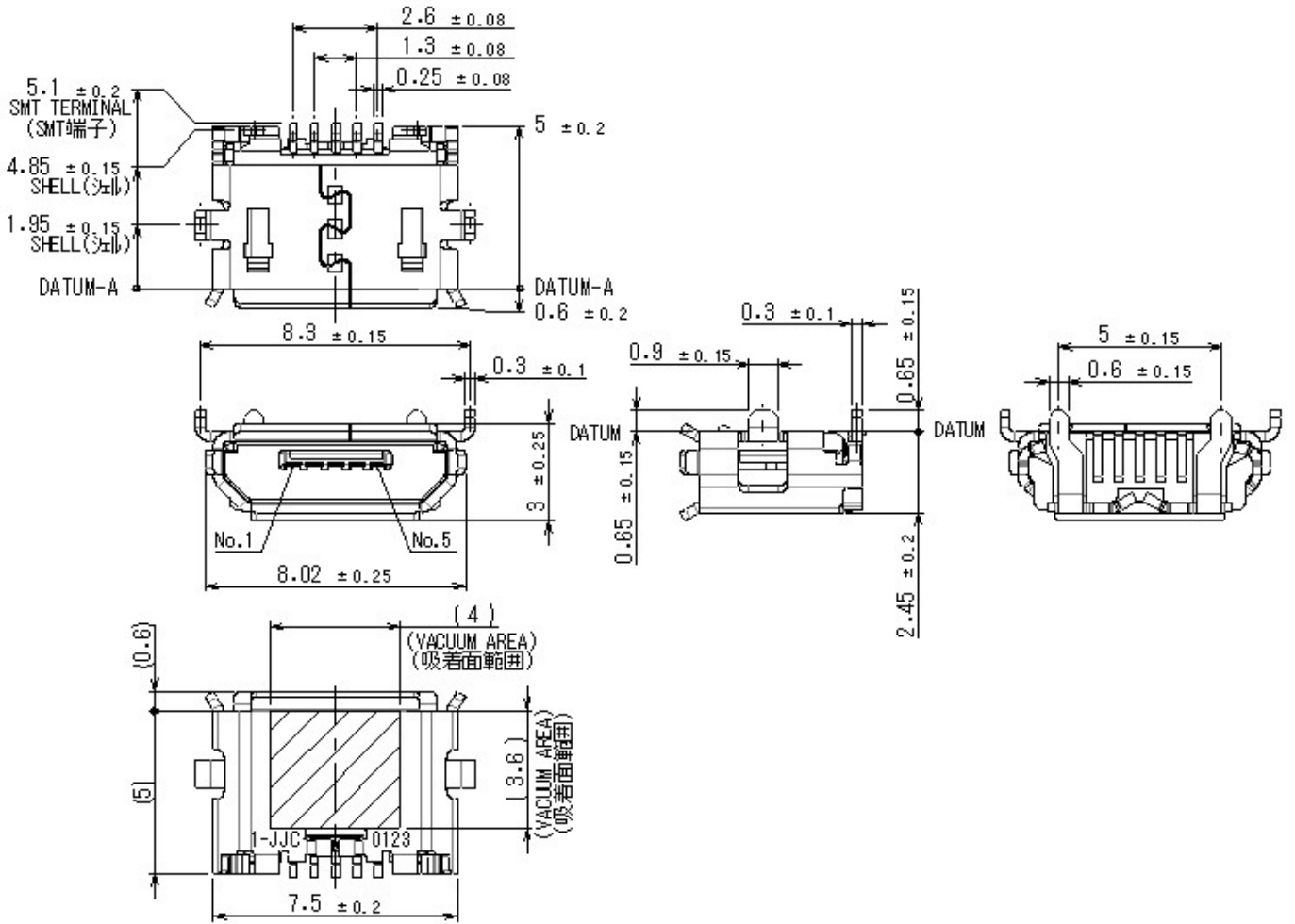
Mating Area Reinforced Type  
(Micro-B): DX4RN05JJ2

Type without mating area taper (DX4RN05JJ3)  
\*Design is same as DX4RN05JJ2 except the mating area taper.

Unit: mm



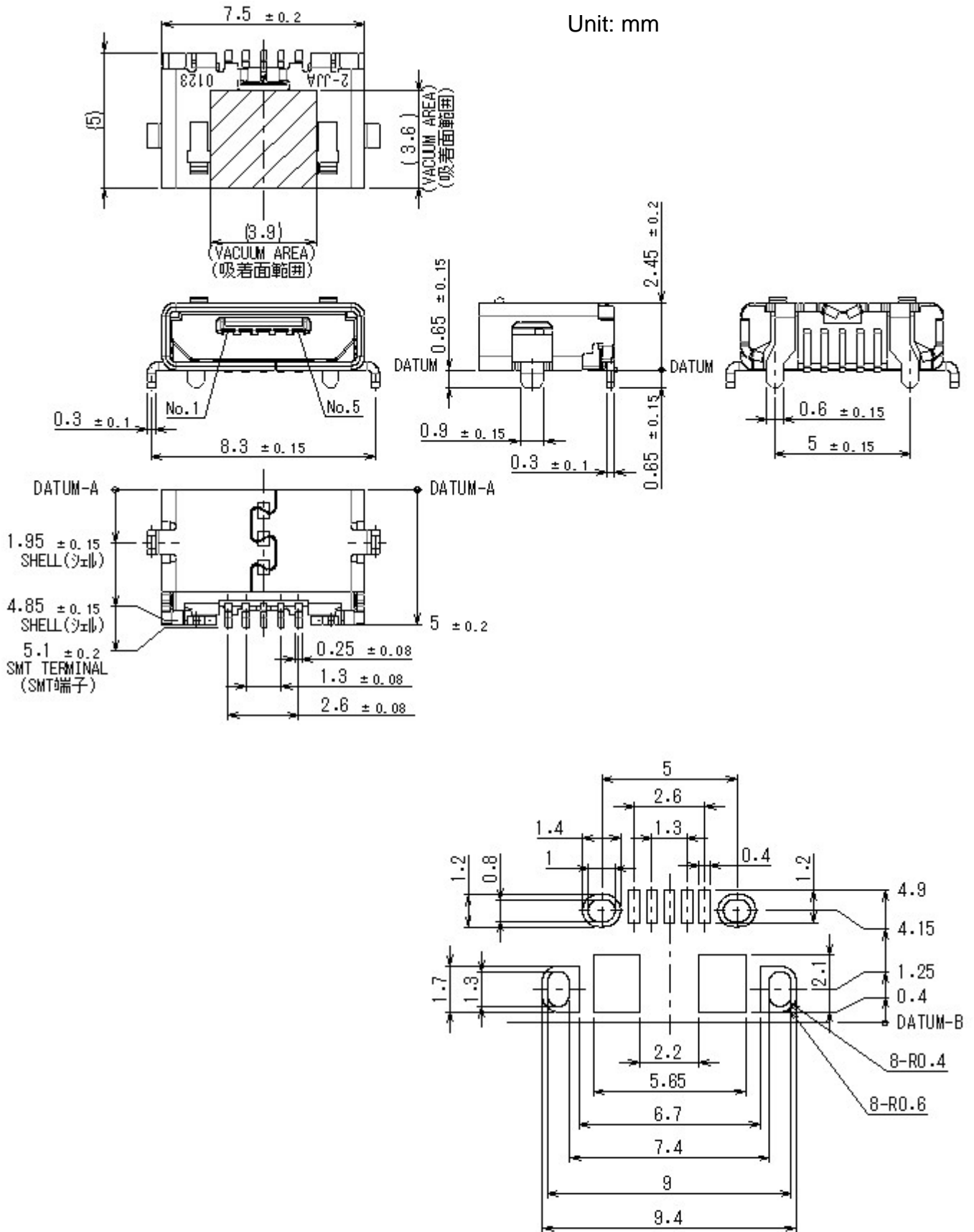
Mating Area Reinforced Type  
(Micro-B): DX4R105JJC



APPLICABLE P.C.B. DIMENSION (REF.)  
適合基板寸法(参考)

Mating Area Reinforced Type (Micro-AB): DX4R205JJA

Unit: mm

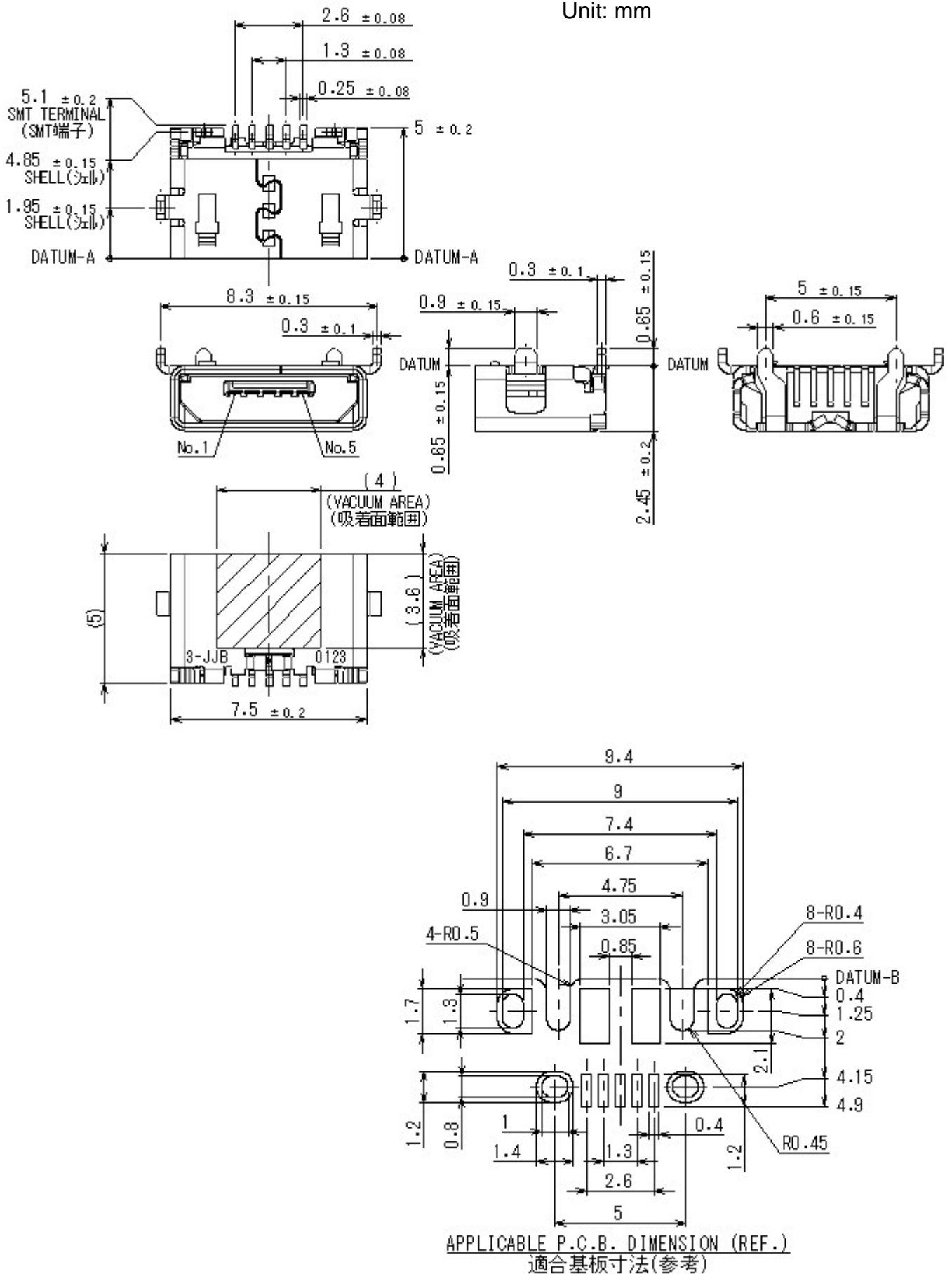


APPLICABLE P.C.B. DIMENSION (REF.)  
適合基板寸法(参考)



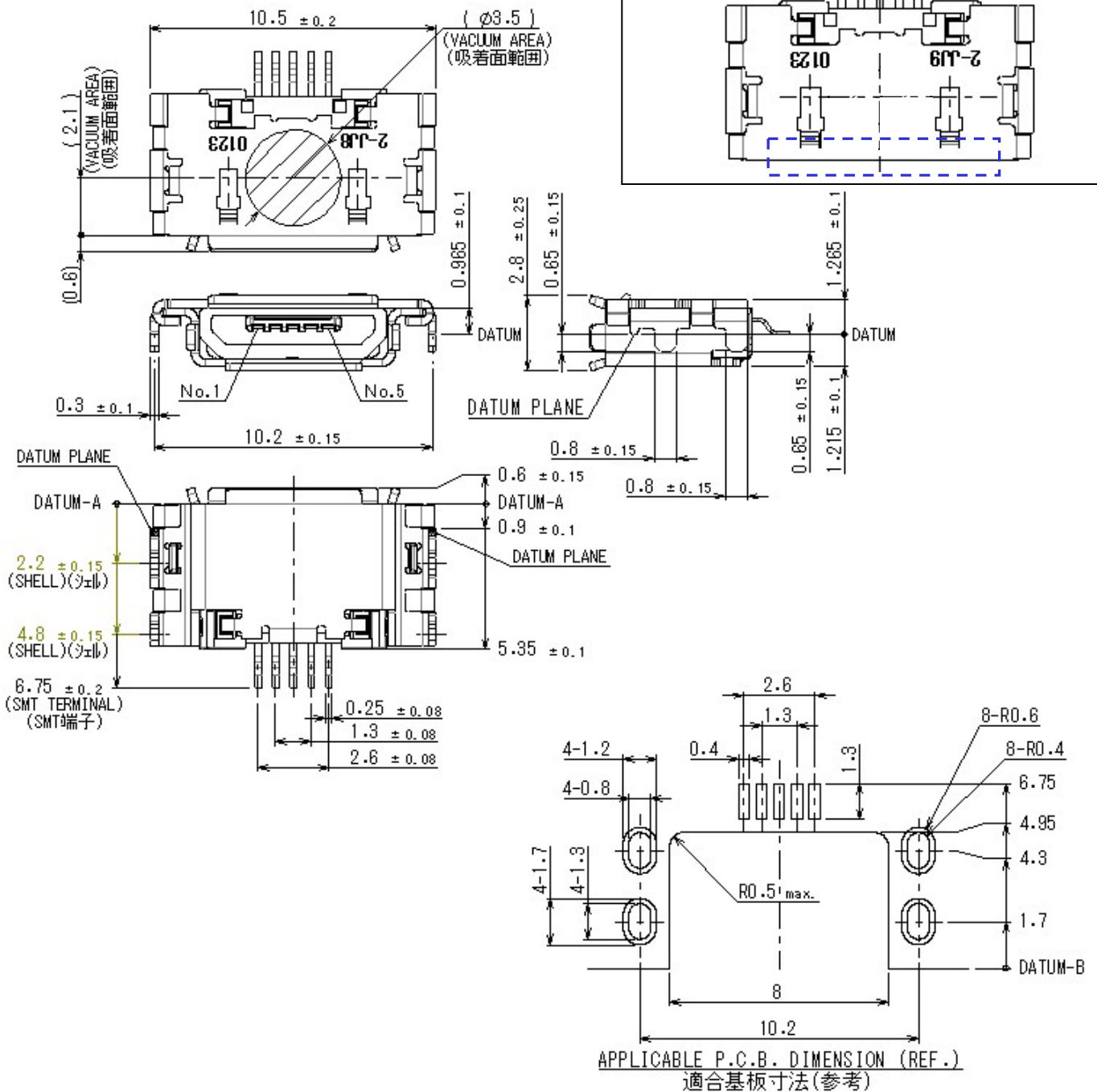
Mating Area Reinforced Type (Micro-AB): DX4R305JJB

Unit: mm



Mating Area Reinforced Type  
(Micro-AB): DX4R205JJ8

Type without mating area taper (DX4R205JJ9)  
\*Design is same as DX4R205JJ8 except the mating area taper.



**Notice:** Units shown in this brochure are made for the applications listed below. However, if the above-mentioned Units are to be used in aerospace devices, marine cable-connection devices, atomic power control systems, medical equipment for life-support systems, or any other specific application requiring extremely high reliability, please contact JAE for further information.  
Recommended applications: Computers, Office machines, Measuring devices, Telecommunication devices (Terminals, Mobile devices), AV devices, Household applications, FA devices, etc.

**Japan Aviation Electronics Industry, Limited**  
Unit Marketing Division  
Aobadai Building, 3-1-19, Aobadai, Meguro-ku, Tokyo 153-8539  
Phone: +81-3-3780-2882 FAX: +81-3-3780-2946

\* The specifications in this brochure are subject to change without notice. Please contact JAE for information.