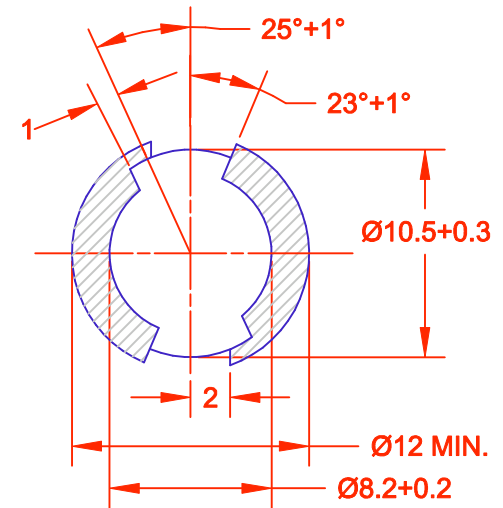
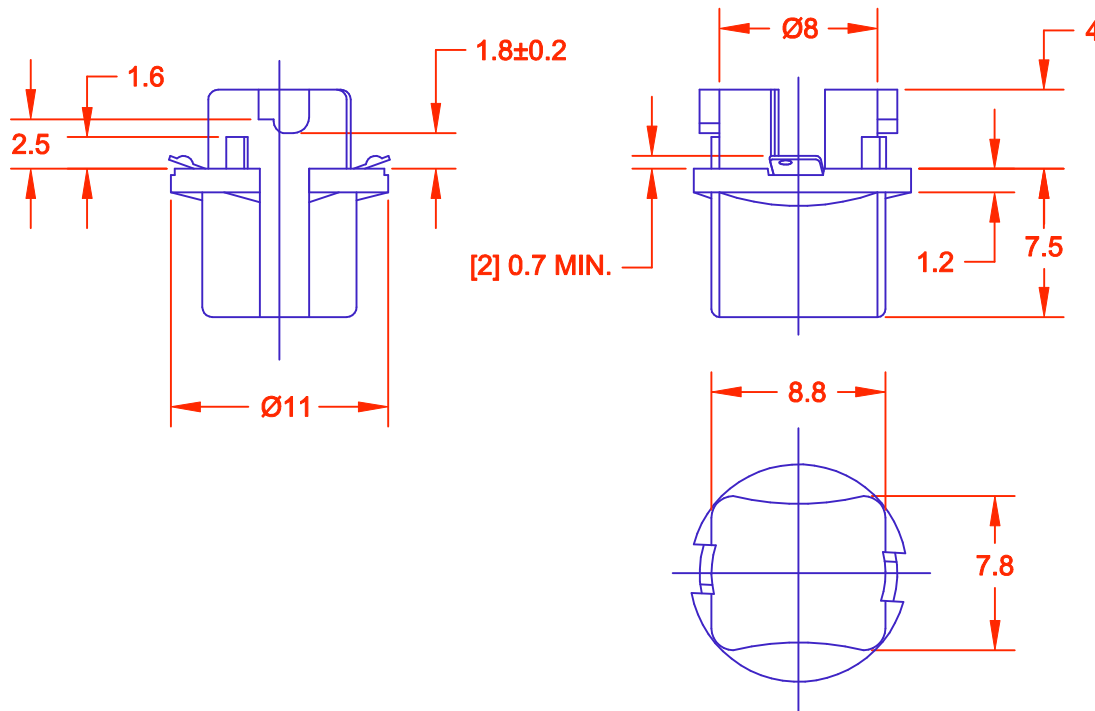
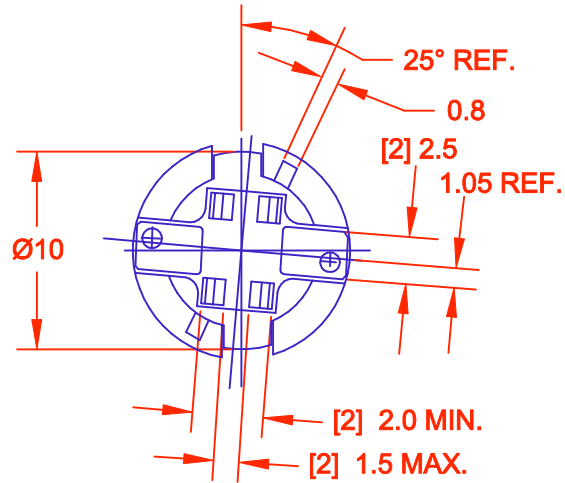


REV.	DESCRIPTION/ECO NO.	DATE
	RELEASED AS CAD DRAW. AND NEW PART-CANCEL 2929 REV. 1	12/8/00



BASE COLOR: BLACK

<p>THIRD ANGLE PROJECTION</p>	<p>METRIC</p> <p>DIMENSIONS ARE IN MILLIMETERS</p> <p>TOLERANCE UNLESS OTHERWISE SPECIFIED</p> <p>1 PL +/- 0.2</p> <p>2 PL +/- 0.20</p> <p>ANGLE +/- 0</p>		<p><b>JKL</b> COMPONENTS CORPORATION</p>			
			<p>TITLE</p> <p><b>T-1 3/4 WEDGE BASE SOCKET</b></p>			
<p>DRAWN BY</p> <p>L. WENGSTROM</p>	<p>APPVD BY</p> <p>JK</p>	<p>DATE</p> <p>12/9/00</p>	<p>SIZE</p> <p><b>A</b></p>	<p>FSCM NO.</p> <p><b>55335</b></p>	<p>DRAWING NO.</p> <p><b>SOCKET 2929</b></p>	
<p>- CAD DRAWING -</p> <p>MANUAL REVISIONS NOT PERMITTED</p>			<p>SCALE</p> <p><b>NONE</b></p>	<p>RELEASED DATE</p> <p>12/9/00</p>	<p>REVISION DATE</p>	
				<p>REV. NO.</p>	<p>SHEET</p> <p>1 OF 1</p>	