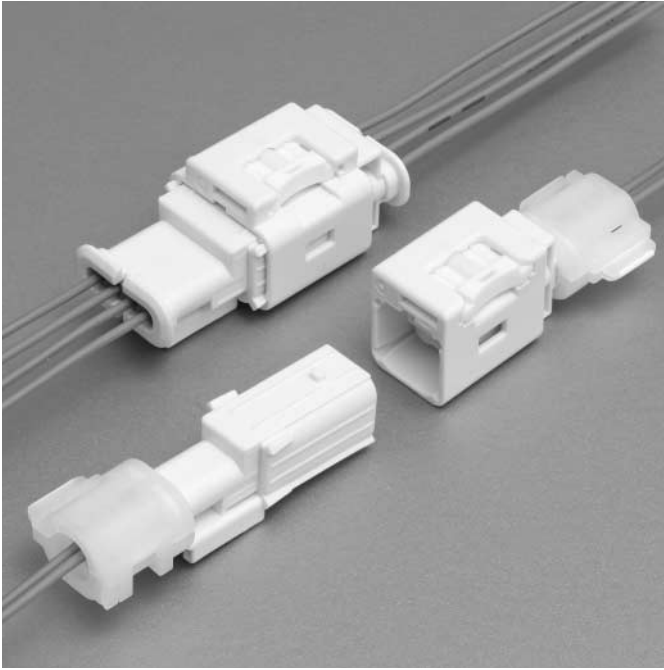


# SAB CONNECTOR

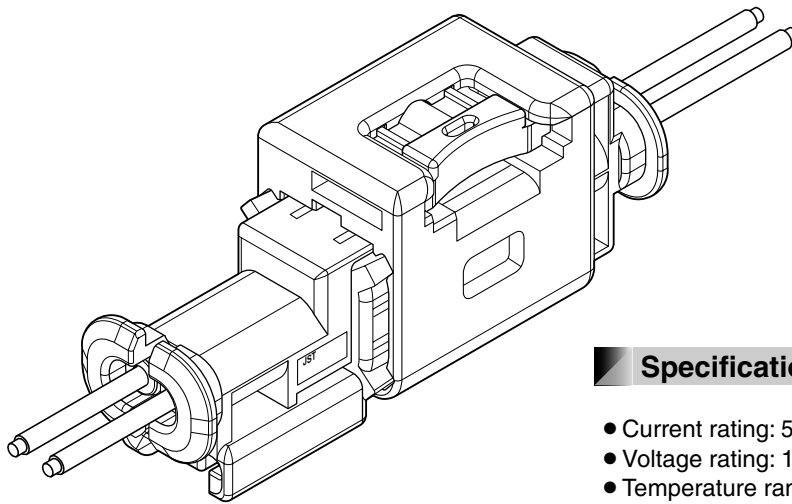
Wire-to-wire/Sealed connector



0.64 mm single sealed wire to wire connector with rigid design and spring lock mechanism.

Spring force prevents half-mating during mating and keeps constant rigid connection between male and female connector.

This connector has short terminal to prevent accidental electrical discharge.



## Features

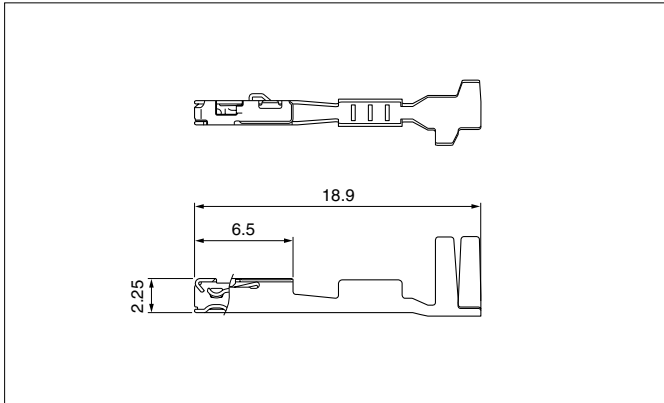
- **0.64 mm Single Sealed Connector**
- **Anti Vibration Mechanism**  
High reliability rigid connector enables to keep higher durability at shock and vibrated environment.
- **Fool Proof Systems**  
Compression spring prevents half-connecting.

## Specifications

- Current rating: 5 A AC, DC max.
- Voltage rating: 14 V DC
- Temperature range: -40°C to +80°C  
(including temperature rise in applying electrical current)
- Contact resistance: Initial value/ 10 mΩ max.  
After environmental tests/ 20 mΩ max.
- Insulation resistance: 100 MΩ min.
- Withstanding voltage: 1,000 VAC/minute
- Applicable wire: AVSS 0.5 mm<sup>2</sup>

- \* Compliant with ELV/RoHS.
- \* Contact JST for details.

## Female terminal



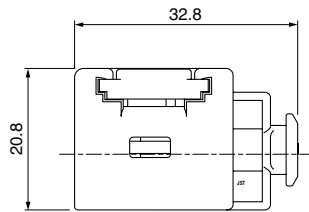
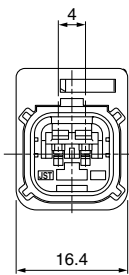
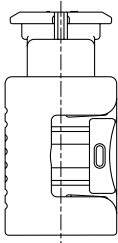
Model No.	Applicable wire range		Q'ty/reel
	Conductor (mm <sup>2</sup> )	Insulation O.D. (mm)	
<b>SAITS-A03GF-M064</b>	0.5	1.6 to 1.7	3,500

### Material and Finish

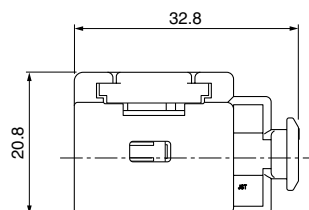
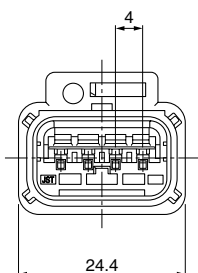
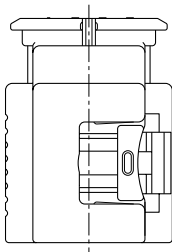
Copper alloy, nickel-undercoated, Contact area; gold-plated  
Barrel area; tin-plated

## Female connector

### • 2 circuits



### • 4 circuits



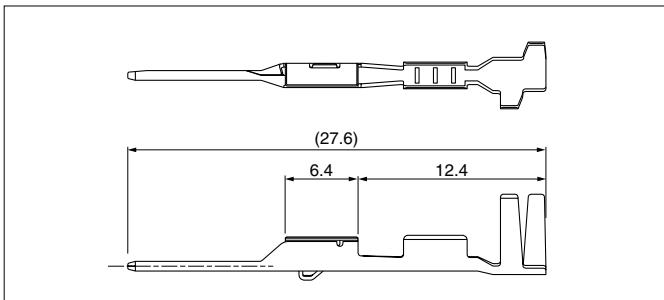
Circuits	Model No.	Q'ty/box
2	<b>SABRB-02-1A-Y</b>	125
4	<b>SABRB-04-1A-Y</b>	100

### Material and Finish

Housing: Glass-filled PBT, Yellow  
Slider: Glass-filled PBT, Natural (White)  
Retainer: Glass-filled PBT, Natural (White)  
Spring: SUS  
Inner seal: Silicone

# SAB CONNECTOR

## Male terminal



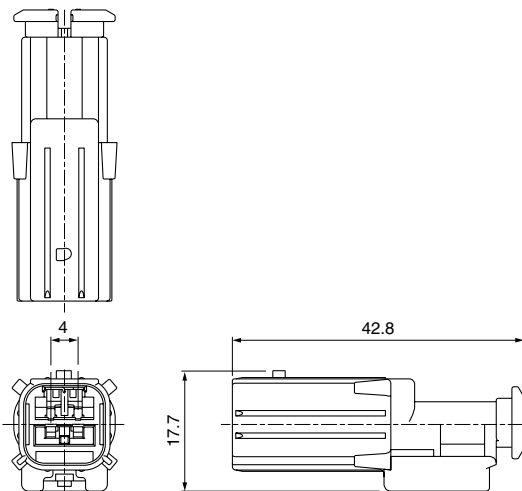
Model No.	Applicable wire range		Q'ty/reel
	Conductor (mm <sup>2</sup> )	Insulation O.D. (mm)	
<b>SAITWS-A03GF-064</b>	0.5	1.6 to 1.7	3,500

### Material and Finish

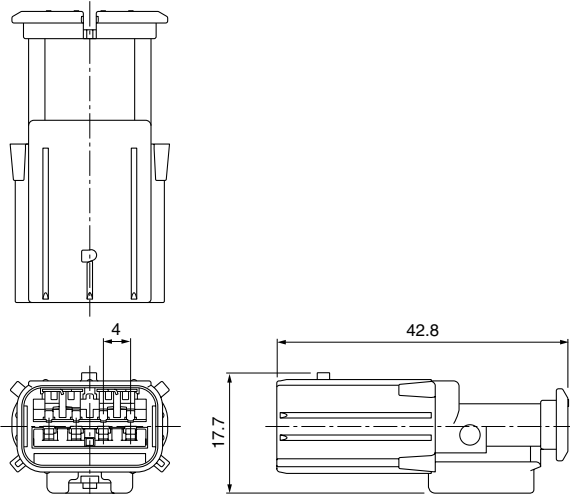
Brass, nickel-undercoated, Contact area; gold-plated  
Barrel area; tin-plated

## Male connector

### • 2 circuits



### • 4 circuits



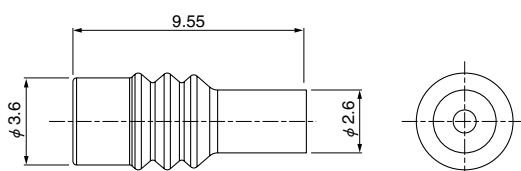
Circuits	Model No.	Q'ty/box
2	<b>SABPB-02-1A-Y</b>	125
4	<b>SABPB-04-1A-Y</b>	100

### Material and Finish

Housing: Glass-filled PBT, Yellow  
Retainer: Glass-filled PBT, Natural (White)  
Short terminal: Copper alloy, nickel-undercoated, Contact area; gold-plated

## Wire seal

### • 2, 4 circuits



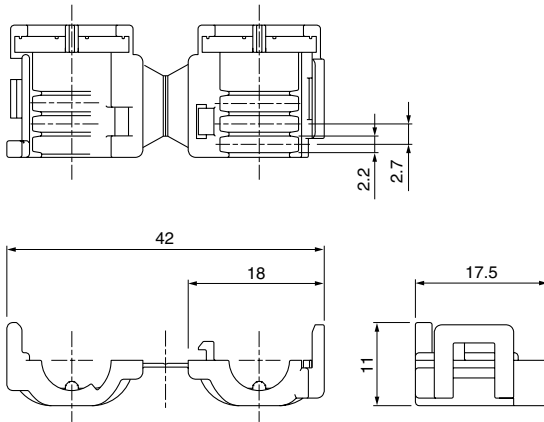
Model No.	Applicable wire range		Q'ty/box
	Conductor (mm <sup>2</sup> )	Insulation O.D. (mm)	
<b>A03WS-SAB-N</b>	0.5	1.6 to 1.7	10,000

### Material and Finish

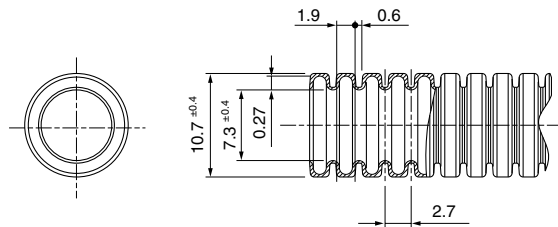
Silicone

## Cover

### • 2 circuits



### Recommended corrugate tube layout

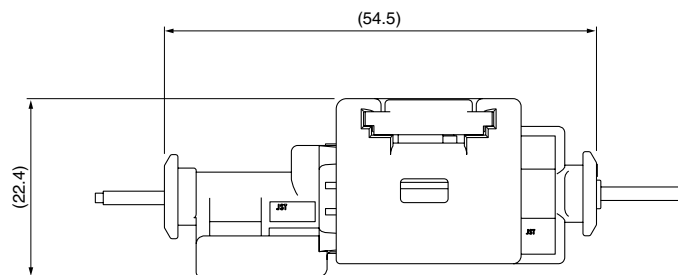


Model No.	Q'ty/box
Note) <b>SABC-02-1A-W</b>	200
Material and Finish	
PP, Natural (White)	

Note: Cover is applicable only for 2 circuits.

## Assembly layout

### • 2, 4 circuits



## Crimping machine, Applicator

Strip terminal	Crimping machine	Crimp applicator MKS-L	
		Dies	Crimp applicator with dies
<b>SAITS-A03GF-M064</b>	AP-K2N	MK/SAITS-A03-064	APLMK SAITS-A03-064
<b>SAITWS-A03GF-064</b>		MK/SAITWS-A03-064	APLMK SAITWS-A03-064

Note: When crimping operation is conducted using an applicator and die set other than the above, JST cannot guarantee the performance of the terminal.