

R60 Series, Radial, 10 – 37.5 mm Lead Spacing, 50 – 1,000 VDC (Automotive Grade)

Overview

The R60 Series is constructed of metallized polyester film (wound or stacked technology) with radial leads of tinned wire. Radial leads are electrically welded to the contact metal layer on the ends of the capacitor winding. The capacitor is encapsulated with thermosetting resin in a box material meeting the UL 94V-0 requirements.

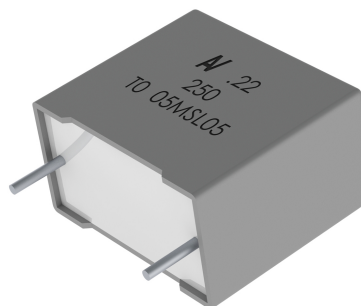
R60 Series components (up to lead spacing 22.5mm) meet the demanding Automotive Electronics Council's AEC-Q200 qualification requirements.

Applications

Typical applications include blocking, coupling, decoupling, bypassing and interference suppression in low voltage applications such as automotive. Not suitable for across-the-line application (see Suppressor Capacitors).

Benefits

- Voltage range: 50 – 1000 VDC
- Capacitance range: 0.001 μ F – 150.0 μ F
- Lead spacing: 10.0 – 37.5 mm
- Capacitance tolerance: \pm 5%, \pm 10%, \pm 20%
- Climatic category: 55/105/56
- Operating temperature range of -55°C to +105°C
- RoHS compliance and lead-free terminations
- Tape and reel packaging in accordance with IEC 60286-2
- Self-healing
- Automotive (AEC-Q200) grades up to pitch 22.5 mm



Part Number System

| R60 | M | F | 2470 | AA | 60 | K |
|----------------------|---|--|---|----------------------------|--|--|
| Series | Rated Voltage (VDC) | Length (mm) | Capacitance Code (μ F) | Packaging | Internal Use | Capacitance Tolerance |
| Metallized Polyester | C = 50 D = 63 E = 100 G = 160 I = 250 M = 400 P = 630 Q = 1000 | F = 10 I = 15 N = 22.5 R = 27.5 W = 37.5 | The last three digits represent significant figures. First digit specifies the number of zeros to be added. | See Ordering Options Table | 00 01 30 40 50 6A L0 L1 | J = \pm 5% K = \pm 10% M = \pm 20% |

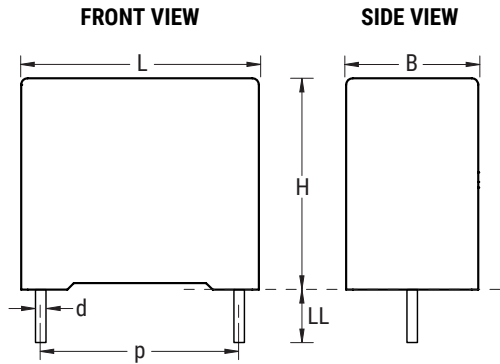
Ordering Options Table

| Lead Spacing Nominal (mm) | Type of Leads and Packaging | LL Lead Length (mm) | Lead and Packaging Code |
|---------------------------|--|---------------------|-------------------------|
| 10 15 22.5 | Standard Lead and Packaging Options | | |
| | Bulk (Bag) – Short Leads | 4+2/-0 | AA |
| | Ammo Pack | $H_0=18.5+/-0.5$ | DQ |
| | Other Lead and Packaging Options | | |
| | Tape & Reel (Standard Reel) | $H_0 = 18.5+/-0.5$ | GY |
| | Tape & Reel (Large Reel) | $H_0=18.5+/-0.5$ | CK |
| | Bulk (Bag) – Short Leads | 2.7+0.5/-0 | JA |
| | Bulk (Bag) – Short Leads | 3.5+0.5/-0 | JB |
| | Bulk (Bag) – Short Leads | 10+/-1 | JC |
| | Bulk (Bag) – Short Leads | 4.0+0.5/-0 | JE |
| | Bulk (Bag) – Short Leads | 3.2+0.3/-0.2 | JH |
| | Bulk (Bag) – Long Leads | 18+1/-1 | JM* |
| | Bulk (Bag) – Long Leads | 17+1/-2 | Z3** |
| | Bulk (Bag) – Long Leads | 30+5/-0 | 40 |
| Bulk (Bag) – Long Leads | 25+2/-1 | 50 | |
| 27.5 | Standard Lead and Packaging Options | | |
| | Bulk (Bag) – Short Leads | 4+2/-0 | AA |
| | Other Lead and Packaging Options | | |
| | T&R (Large Reel) | $H_0=18.5+/-0.5$ | CK |
| | Bulk (Bag) – Short Leads | 2.7+0.5/-0 | JA |
| | Bulk (Bag) – Short Leads | 3.5+0.5/-0 | JB |
| | Bulk (Bag) – Short Leads | 4.0+0.5/-0 | JE |
| | Bulk (Bag) – Short Leads | 3.2+0.3/-0.2 | JH |
| | Bulk (Bag) – Long Leads | 18+1/-1 | JM |
| | Bulk (Bag) – Long Leads | 30+5/-0 | 40 |
| Bulk (Bag) – Long Leads | 25+2/-1 | 50 | |
| 37.5 | Standard Lead and Packaging Options | | |
| | Bulk (Bag) – Short Leads | 4+2/-0 | AA |
| | Other Lead and Packaging Options | | |
| | Bulk (Bag) – Short Leads | 2.7+0.5/-0 | JA |
| | Bulk (Bag) – Short Leads | 3.5+0.5/-0 | JB |
| | Bulk (Bag) – Short Leads | 4.0+0.5/-0 | JE |
| | Bulk (Bag) – Short Leads | 3.2+0.3/-0.2 | JH |
| | Bulk (Bag) – Long Leads | 18+1/-1 | JM |
| | Bulk (Bag) – Long Leads | 30+5/-0 | 40 |
| | Bulk (Bag) – Long Leads | 25+2/-1 | 50 |

* Only available for Lead Spacing ≥ 15 mm.

** Only available for 10 mm Lead Spacing.

Dimensions – Millimeters



| p | | B | | H | | L | | d | |
|---------|-----------|---------|-----------|---------|-----------|---------|-----------|---------|-----------|
| Nominal | Tolerance | Nominal | Tolerance | Nominal | Tolerance | Nominal | Tolerance | Nominal | Tolerance |
| 10.0 | +/-0.4 | 4.0 | +0.2 | 9.0 | +0.1 | 13.0 | +0.2 | 0.6 | +/-0.05 |
| 10.0 | +/-0.4 | 5.0 | +0.2 | 11.0 | +0.1 | 13.0 | +0.2 | 0.6 | +/-0.05 |
| 10.0 | +/-0.4 | 6.0 | +0.2 | 12.0 | +0.1 | 13.0 | +0.2 | 0.6 | +/-0.05 |
| 15.0 | +/-0.4 | 5.0 | +0.2 | 11.0 | +0.1 | 18.0 | +0.3 | 0.8 | +/-0.05 |
| 15.0 | +/-0.4 | 6.0 | +0.2 | 12.0 | +0.1 | 18.0 | +0.3 | 0.8 | +/-0.05 |
| 15.0 | +/-0.4 | 7.5 | +0.2 | 13.5 | +0.1 | 18.0 | +0.5 | 0.8 | +/-0.05 |
| 15.0 | +/-0.4 | 8.5 | +0.2 | 14.5 | +0.1 | 18.0 | +0.5 | 0.8 | +/-0.05 |
| 15.0 | +/-0.4 | 9.0 | +0.2 | 12.5 | +0.1 | 18.0 | +0.5 | 0.8 | +/-0.05 |
| 15.0 | +/-0.4 | 10.0 | +0.2 | 16.0 | +0.1 | 18.0 | +0.5 | 0.8 | +/-0.05 |
| 15.0 | +/-0.4 | 11.0 | +0.2 | 19.0 | +0.1 | 18.0 | +0.5 | 0.8 | +/-0.05 |
| 15.0 | +/-0.4 | 13.0 | +0.2 | 12.0 | +0.1 | 18.0 | +0.5 | 0.8 | +/-0.05 |
| 22.5 | +/-0.4 | 6.0 | +0.2 | 15.0 | +0.1 | 26.5 | +0.3 | 0.8 | +/-0.05 |
| 22.5 | +/-0.4 | 7.0 | +0.2 | 16.0 | +0.1 | 26.5 | +0.3 | 0.8 | +/-0.05 |
| 22.5 | +/-0.4 | 8.5 | +0.2 | 17.0 | +0.1 | 26.5 | +0.3 | 0.8 | +/-0.05 |
| 22.5 | +/-0.4 | 10.0 | +0.2 | 18.5 | +0.1 | 26.5 | +0.3 | 0.8 | +/-0.05 |
| 22.5 | +/-0.4 | 11.0 | +0.2 | 20.0 | +0.1 | 26.5 | +0.3 | 0.8 | +/-0.05 |
| 22.5 | +/-0.4 | 13.0 | +0.2 | 22.0 | +0.1 | 26.5 | +0.3 | 0.8 | +/-0.05 |
| 27.5 | +/-0.4 | 9.0 | +0.2 | 17.0 | +0.1 | 32.0 | +0.3 | 0.8 | +/-0.05 |
| 27.5 | +/-0.4 | 11.0 | +0.2 | 20.0 | +0.1 | 32.0 | +0.3 | 0.8 | +/-0.05 |
| 27.5 | +/-0.4 | 13.0 | +0.2 | 22.0 | +0.1 | 32.0 | +0.3 | 0.8 | +/-0.05 |
| 27.5 | +/-0.4 | 14.0 | +0.2 | 28.0 | +0.1 | 32.0 | +0.3 | 0.8 | +/-0.05 |
| 27.5 | +/-0.4 | 18.0 | +0.2 | 33.0 | +0.1 | 32.0 | +0.3 | 0.8 | +/-0.05 |
| 27.5 | +/-0.4 | 22.0 | +0.2 | 37.0 | +0.1 | 32.0 | +0.3 | 0.8 | +/-0.05 |
| 37.5 | +/-0.4 | 11.0 | +0.3 | 22.0 | +0.1 | 41.5 | +0.3 | 1.0 | +/-0.05 |
| 37.5 | +/-0.4 | 13.0 | +0.3 | 24.0 | +0.1 | 41.5 | +0.3 | 1.0 | +/-0.05 |
| 37.5 | +/-0.4 | 16.0 | +0.3 | 28.5 | +0.1 | 41.5 | +0.3 | 1.0 | +/-0.05 |
| 37.5 | +/-0.4 | 19.0 | +0.3 | 32.0 | +0.1 | 41.5 | +0.3 | 1.0 | +/-0.05 |
| 37.5 | +/-0.4 | 20.0 | +0.3 | 40.0 | +0.1 | 41.5 | +0.3 | 1.0 | +/-0.05 |
| 37.5 | +/-0.4 | 24.0 | +0.3 | 44.0 | +0.1 | 41.5 | +0.3 | 1.0 | +/-0.05 |
| 37.5 | +/-0.4 | 30.0 | +0.3 | 45.0 | +0.1 | 41.5 | +0.3 | 1.0 | +/-0.05 |

Note: See Ordering Options Table for lead length (LL/H₀) options.

Performance Characteristics

| | | | | | | | | |
|---|---|------------|------------|------------|----------|------------|-------------|-------------|
| Dielectric | Polyester film (polyethylene terephthalate). | | | | | | | |
| Plates | Metal layer deposited by evaporation under vacuum. | | | | | | | |
| Winding | Non-inductive type. | | | | | | | |
| Leads | Tinned wire. | | | | | | | |
| Protection | Plastic case, thermosetting resin filled. Box material is solvent resistant and flame retardant according to UL94. | | | | | | | |
| Related Documents | IEC 60384-2 | | | | | | | |
| Rated Voltage V_R (VDC) | 50 | 63 | 100 | 160 | 250 | 400 | 630 | 1000 |
| Rated Voltage V_R (VAC) | 30 | 40 | 63 | 90 | 160 | 200 | 220 | 250 |
| Capacitance Range (μF) | 1.5 – 5.6 | 0.68 – 100 | 0.33 – 150 | 0.22 – 150 | 0.1 – 68 | 0.022 – 33 | 0.0047 – 10 | 0.001 – 4.7 |
| Capacitance Values | E6 series (IEC 60063) measured at 1 kHz and +20 \pm 1°C | | | | | | | |
| Capacitance Tolerance | \pm 5%, \pm 10%, \pm 20% | | | | | | | |
| Operating Temperature Range | -55°C to +105°C Upper operating temperature of +125°C is allowed for a maximum operating time of 1,000 hours. | | | | | | | |
| Rated Temperature T_R | +85°C | | | | | | | |
| Voltage Derating | Above +85°C DC and AC voltage derating is 1.25%/°C | | | | | | | |
| Climatic Category | 55/105/56 IEC 60068-1 | | | | | | | |
| Storage Conditions | Storage time: \leq 24 months from the date marked on the label package | | | | | | | |
| | Average relative humidity per year \leq 70% | | | | | | | |
| | RH \leq 85% for 30 days randomly distributed throughout the year | | | | | | | |
| | Dew is absent | | | | | | | |
| | Temperature: -40 to 80°C (see "Maximum Humidity in Storage Conditions" graph below) | | | | | | | |
| Test Voltage | 1.6 x V_R VDC for 2 seconds (between terminations) at +25°C \pm 5°C | | | | | | | |
| Capacitance Drift | Maximum 3% after a 2 year storage period at a temperature of +10°C to +40°C and a relative humidity of 40% to 60% | | | | | | | |
| Reliability (Reference MIL-HDBK-217) | Operational life >200,000 hours | | | | | | | |
| | Failure rate \leq 5 FIT, T = +40°C, V = 0.5 x V_R | | | | | | | |
| | Failure criteria: open or short circuit, cap. change > 10%, DF 2 times the catalog limits, IR < 0.005 x initial limit | | | | | | | |
| Maximum Pulse Steepness | dV/dt according to Table 1. For peak to peak voltages lower than rated voltage ($V_{pp} < V_R$), the specified dv/dt can be multiplied by the factor V_R/V_{pp} | | | | | | | |
| Temperature Coefficient | +400 (\pm 200)ppm/°C at 1 kHz | | | | | | | |
| Self Inductance (Lead Length ~ 2 mm) | Lead Spacing (mm) | 10 | 15 | 22.5 | 27.5 | 37.5 | | |
| | L (nH) | 9 | 10 | 18 | 18 | 22 | | |
| | Maximum 1 nH per 1 mm lead and capacitor length. | | | | | | | |

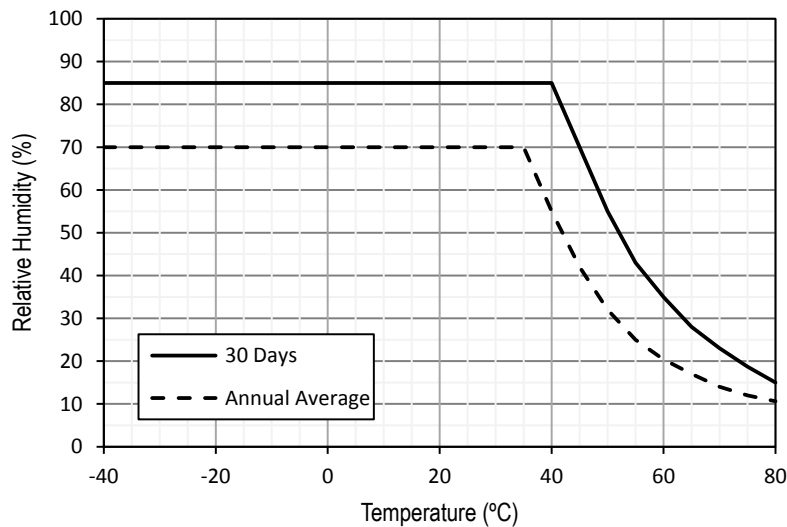
Performance Characteristics cont'd

| Dissipation Factor tanδ | Maximum Values at 25°C ±5°C | | |
|-------------------------|-----------------------------|----------|----------|
| | Frequency | C ≤ 1 μF | C > 1 μF |
| | 1 kHz | 1.00% | 1.00% |
| 10 kHz | 1.50% | - | |

| Insulation Resistance | Measured at +25°C ±5°C, according to IEC 60384-2 | | |
|--|--|--|--|
| | Minimum Values Between Terminals | | |
| | Voltage Charge/Time | C ≤ 0.33 μF | C > 0.33 μF |
| | 50 VDC for V _R ≤ 100 VDC 1 minute | ≥ 3,750 MΩ (≥ 50,000 MΩ) * | ≥ 1,250 MΩ · μF (≥ 5,000 MΩ · μF) * |
| 100 VDC for V _R > 100 VDC 1 minute | ≥ 30,000 MΩ (≥ 50,000 MΩ) * | ≥ 10,000 MΩ · μF (≥ 17,000 MΩ · μF) * | |

* typical value

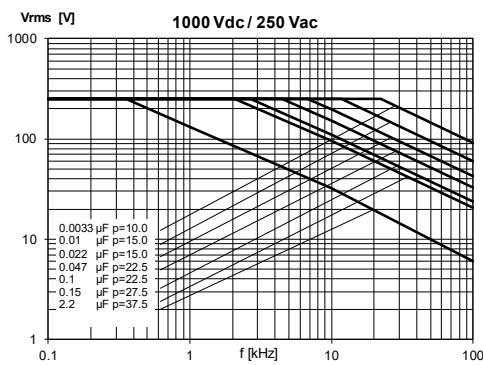
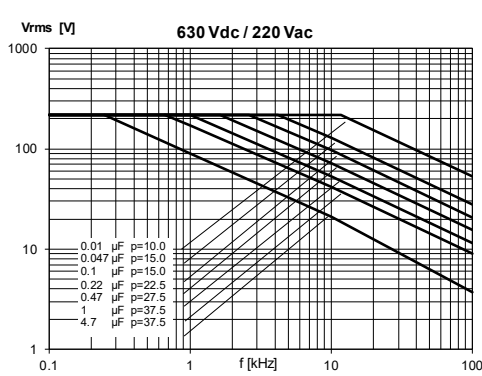
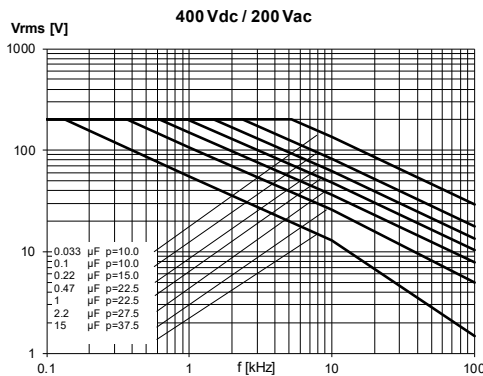
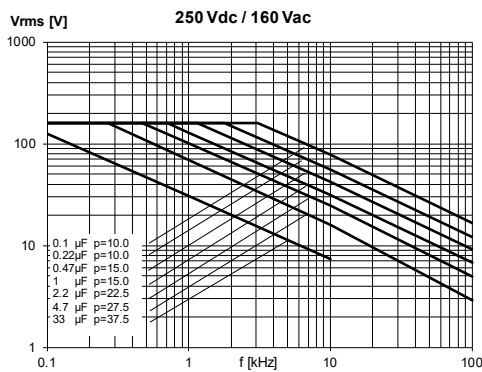
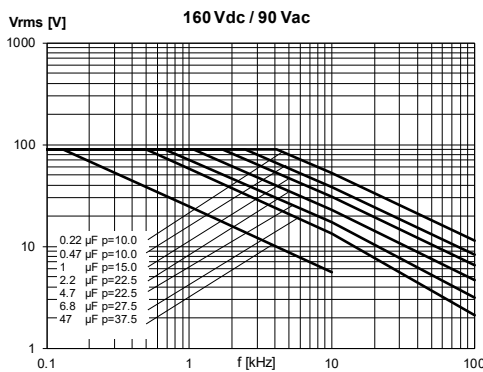
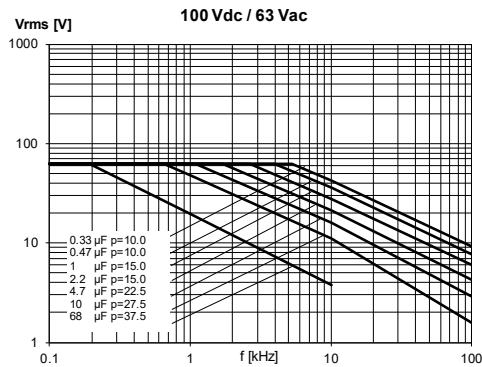
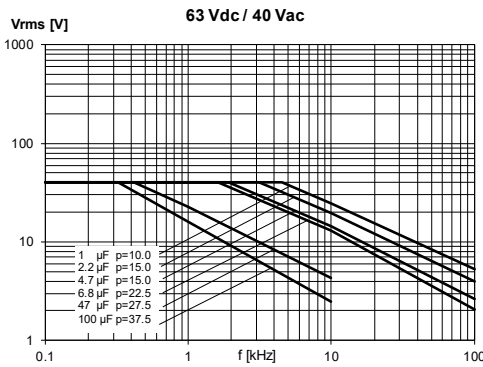
Maximum Humidity in Storage Conditions



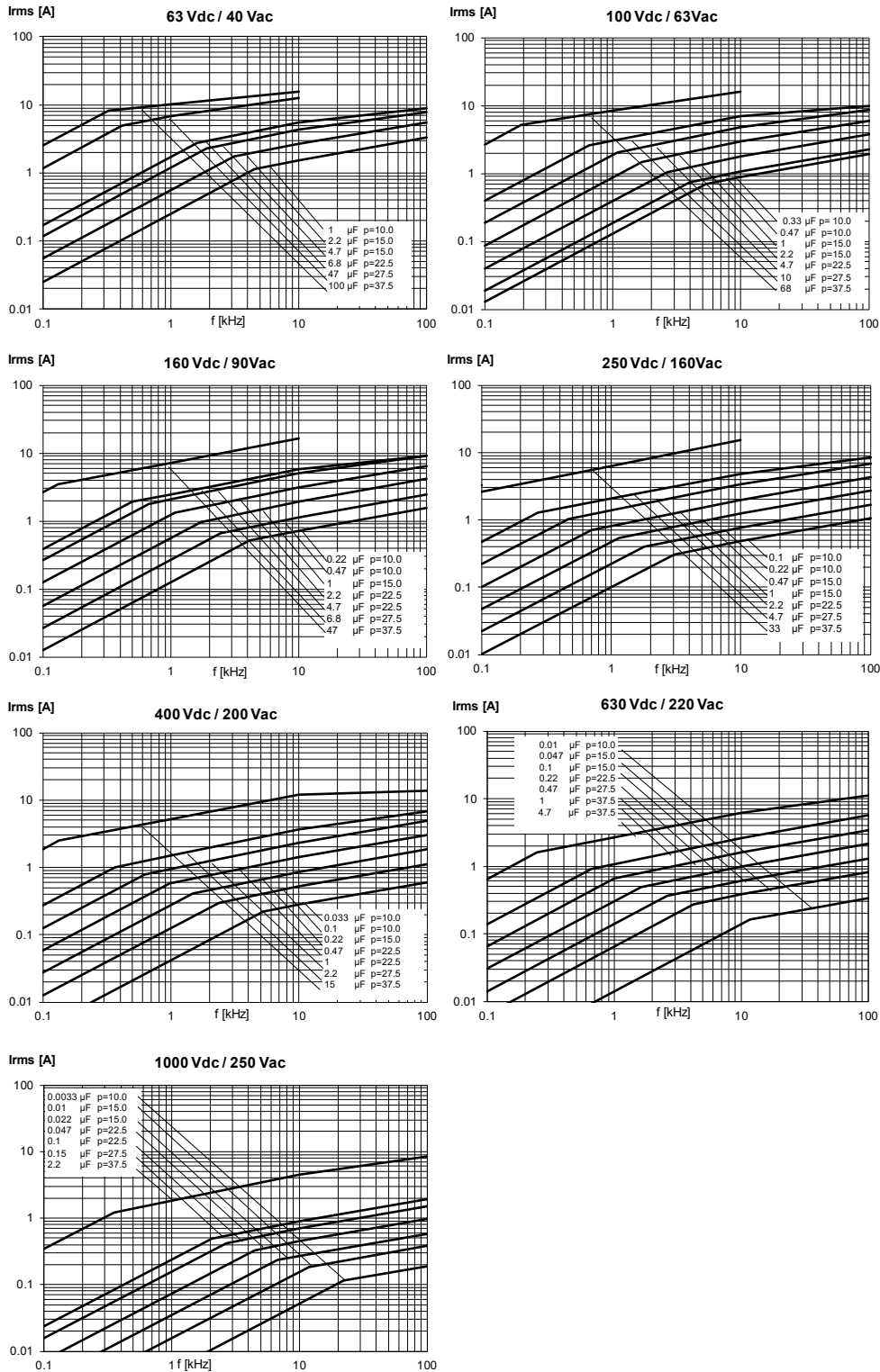
Qualification

Automotive Grade products meet or exceed the requirements outlined by the Automotive Electronics Council. Details regarding test methods and conditions are referenced in document AEC-Q200, Stress Test Qualification for Passive Components. For additional information regarding the Automotive Electronics Council and AEC-Q200, please visit their website at www.aecouncil.com.

Maximum Voltage (V_{rms}) vs. Frequency (Sinusoidal Waveform/ $Th \leq 40^\circ C$)



Maximum Current (I_{rms}) vs. Frequency (Sinusoidal Waveform/ $T_h \leq 40^\circ C$)



Environmental Test Data

| Damp Heat, Steady State Test | Test Conditions: | | Performances |
|-----------------------------------|--|---|---|
| | Temperature: Relative humidity (RH): Test duration: | +40°C ±2°C 93% ±2% 56 days | Δ C/C ≤ 5%, Δ tanδ ≤ 0.005 at 1 kHz IR after test ≥ 50% of initial limit |
| Endurance Test | Test Conditions | | Performances |
| | Temperature: Voltage applied: Test duration: | +105°C ±2°C 1.25 x V _C 2,000 hours | Δ C/C ≤ 5%, Δ tanδ ≤ 0.005 at 10 kHz for C ≤ 1μF Δ tanδ ≤ 0.003 at 1 kHz for C > 1μF IR after test ≥ 50% of initial limit |
| Resistance to Soldering Heat Test | Test Conditions | | Performances |
| | Solder bath temperature: Dipping time (with heat screen): | 260°C ±5°C 10 seconds ±1 second | Δ C/C ≤ 2%, Δ tanδ ≤ 0.005 at 10 kHz for C ≤ 1μF Δ tanδ ≤ 0.003 at 1 kHz for C > 1μF IR after test ≥ initial limit |

Environmental Compliance

All KEMET MKT capacitors are RoHS Compliant.

Table 1A – Ratings & Part Number Reference (Stacked Capacitor Technology)

| VDC | VAC | Capacitance Value (μF) | Dimensions in mm | | | Lead Spacing | dV/dt (V/μs) | Maximum K ₀ (V ² /μs) | New KEMET Part Number | Legacy Part Number |
|-----|-----|------------------------|------------------|--------|--------|--------------|--------------|---|-----------------------|--------------------|
| | | | B | H | L | | | | | |
| 50 | 30 | 1.5 | 4.0 | 9.0 | 13.0 | 10.0 | 30 | 3000 | 60CF4150(1)6A(2) | R60CF4150(1)6A(2) |
| 50 | 30 | 2.2 | 4.0 | 9.0 | 13.0 | 10.0 | 30 | 3000 | 60CF4220(1)6A(2) | R60CF4220(1)6A(2) |
| 50 | 30 | 3.3 | 5.0 | 11.0 | 13.0 | 10.0 | 30 | 3000 | 60CF4330(1)6A(2) | R60CF4330(1)6A(2) |
| 50 | 30 | 4.7 | 6.0 | 12.0 | 13.0 | 10.0 | 30 | 3000 | 60CF4470(1)6A(2) | R60CF4470(1)6A(2) |
| 50 | 30 | 5.6 | 6.0 | 12.0 | 13.0 | 10.0 | 30 | 3000 | 60CF4560(1)6A(2) | R60CF4560(1)6A(2) |
| 63 | 40 | 1.0 | 4.0 | 9.0 | 13.0 | 10.0 | 50 | 6300 | 60DF4100(1)6A(2) | R60DF4100(1)6A(2) |
| 63 | 40 | 1.5 | 5.0 | 11.0 | 13.0 | 10.0 | 50 | 6300 | 60DF4150(1)6A(2) | R60DF4150(1)6A(2) |
| 63 | 40 | 2.2 | 5.0 | 11.0 | 13.0 | 10.0 | 50 | 6300 | 60DF4220(1)6A(2) | R60DF4220(1)6A(2) |
| 63 | 40 | 3.3 | 6.0 | 12.0 | 13.0 | 10.0 | 50 | 6300 | 60DF4330(1)6A(2) | R60DF4330(1)6A(2) |
| 100 | 63 | 0.33 | 4.0 | 9.0 | 13.0 | 10.0 | 75 | 15000 | 60EF3330(1)6A(2) | R60EF3330(1)6A(2) |
| 100 | 63 | 0.47 | 4.0 | 9.0 | 13.0 | 10.0 | 75 | 15000 | 60EF3470(1)6A(2) | R60EF3470(1)6A(2) |
| 100 | 63 | 0.68 | 4.0 | 9.0 | 13.0 | 10.0 | 75 | 15000 | 60EF3680(1)6A(2) | R60EF3680(1)6A(2) |
| 100 | 63 | 1.0 | 5.0 | 11.0 | 13.0 | 10.0 | 75 | 15000 | 60EF4100(1)6A(2) | R60EF4100(1)6A(2) |
| 100 | 63 | 1.5 | 5.0 | 11.0 | 13.0 | 10.0 | 75 | 15000 | 60EF4150(1)6A(2) | R60EF4150(1)6A(2) |
| 160 | 90 | 0.22 | 4.0 | 9.0 | 13.0 | 10.0 | 100 | 32000 | 60GF3220(1)6A(2) | R60GF3220(1)6A(2) |
| 160 | 90 | 0.33 | 4.0 | 9.0 | 13.0 | 10.0 | 100 | 32000 | 60GF3330(1)6A(2) | R60GF3330(1)6A(2) |
| 160 | 90 | 0.47 | 5.0 | 11.0 | 13.0 | 10.0 | 100 | 32000 | 60GF3470(1)6A(2) | R60GF3470(1)6A(2) |
| 160 | 90 | 0.68 | 6.0 | 12.0 | 13.0 | 10.0 | 100 | 32000 | 60GF3680(1)6A(2) | R60GF3680(1)6A(2) |
| 250 | 160 | 0.10 | 4.0 | 9.0 | 13.0 | 10.0 | 150 | 75000 | 60IF3100(1)6A(2) | R60IF3100(1)6A(2) |
| 250 | 160 | 0.15 | 4.0 | 9.0 | 13.0 | 10.0 | 150 | 75000 | 60IF3150(1)6A(2) | R60IF3150(1)6A(2) |
| 250 | 160 | 0.22 | 5.0 | 11.0 | 13.0 | 10.0 | 150 | 75000 | 60IF3220(1)6A(2) | R60IF3220(1)6A(2) |
| 250 | 160 | 0.33 | 5.0 | 11.0 | 13.0 | 10.0 | 150 | 75000 | 60IF3330(1)6A(2) | R60IF3330(1)6A(2) |
| 250 | 160 | 0.47 | 6.0 | 12.0 | 13.0 | 10.0 | 150 | 75000 | 60IF3470(1)6A(2) | R60IF3470(1)6A(2) |
| VDC | VAC | Capacitance Value (μF) | B (mm) | H (mm) | L (mm) | Lead Spacing | dV/dt (V/μs) | Max K ₀ (V ² /μs) | New KEMET Part Number | Legacy Part Number |

Table 1A – Ratings & Part Number Reference (Stacked Capacitor Technology) cont'd

| VDC | VAC | Capacitance Value (µF) | Dimensions in mm | | | Lead Spacing | dV/dt (V/µs) | Maximum K ₀ (V ² /µs) | New KEMET Part Number | Legacy Part Number |
|-----|-----|------------------------|------------------|--------|--------|--------------|--------------|---|-----------------------|--------------------|
| | | | B | H | L | | | | | |
| 400 | 200 | 0.033 | 4.0 | 9.0 | 13.0 | 10.0 | 175 | 140000 | 60MF2330(1)6A(2) | R60MF2330(1)6A(2) |
| 400 | 200 | 0.047 | 4.0 | 9.0 | 13.0 | 10.0 | 175 | 140000 | 60MF2470(1)6A(2) | R60MF2470(1)6A(2) |
| 400 | 200 | 0.068 | 4.0 | 9.0 | 13.0 | 10.0 | 175 | 140000 | 60MF2680(1)6A(2) | R60MF2680(1)6A(2) |
| 400 | 200 | 0.10 | 5.0 | 11.0 | 13.0 | 10.0 | 175 | 140000 | 60MF3100(1)6A(2) | R60MF3100(1)6A(2) |
| 400 | 200 | 0.15 | 6.0 | 12.0 | 13.0 | 10.0 | 175 | 140000 | 60MF3150(1)6A(2) | R60MF3150(1)6A(2) |
| 630 | 220 | 0.010 | 4.0 | 9.0 | 13.0 | 10.0 | 200 | 252000 | 60PF2100(1)6A(2) | R60PF2100(1)6A(2) |
| 630 | 220 | 0.015 | 4.0 | 9.0 | 13.0 | 10.0 | 200 | 252000 | 60PF2150(1)6A(2) | R60PF2150(1)6A(2) |
| 630 | 220 | 0.022 | 4.0 | 9.0 | 13.0 | 10.0 | 200 | 252000 | 60PF2220(1)6A(2) | R60PF2220(1)6A(2) |
| 630 | 220 | 0.033 | 5.0 | 11.0 | 13.0 | 10.0 | 200 | 252000 | 60PF2330(1)6A(2) | R60PF2330(1)6A(2) |
| 630 | 220 | 0.047 | 5.0 | 11.0 | 13.0 | 10.0 | 200 | 252000 | 60PF2470(1)6A(2) | R60PF2470(1)6A(2) |
| VDC | VAC | Capacitance Value (µF) | B (mm) | H (mm) | L (mm) | Lead Spacing | dV/dt (V/µs) | Max K ₀ (V ² /µs) | New KEMET Part Number | Legacy Part Number |

Table 1B – Ratings & Part Number Reference (Wound Capacitor Technology)

| VDC | VAC | Capacitance Value (µF) | Dimensions in mm | | | Lead Spacing | dV/dt (V/µs) | Maximum K ₀ (V ² /µs) | New KEMET Part Number | Legacy Part Number |
|-----|-----|------------------------|------------------|--------|--------|--------------|--------------|---|-----------------------|--------------------|
| | | | B | H | L | | | | | |
| 63 | 40 | 0.68 | 5.0 | 11.0 | 18.0 | 15.0 | 2.5 | 315 | 60DI3680(1)30(2) | R60DI3680(1)30(2) |
| 63 | 40 | 1.0 | 5.0 | 11.0 | 18.0 | 15.0 | 2.5 | 315 | 60DI4100(1)30(2) | R60DI4100(1)30(2) |
| 63 | 40 | 1.5 | 5.0 | 11.0 | 18.0 | 15.0 | 2.5 | 315 | 60DI4150(1)30(2) | R60DI4150(1)30(2) |
| 63 | 40 | 2.2 | 6.0 | 12.0 | 18.0 | 15.0 | 2.5 | 315 | 60DI4220(1)30(2) | R60DI4220(1)30(2) |
| 63 | 40 | 3.3 | 7.5 | 13.5 | 18.0 | 15.0 | 2.5 | 315 | 60DI4330(1)30(2) | R60DI4330(1)30(2) |
| 63 | 40 | 3.3 | 9.0 | 12.5 | 18.0 | 15.0 | 2.5 | 315 | 60DI4330(1)L0(2) | R60DI4330(1)L0(2) |
| 63 | 40 | 4.7 | 8.5 | 14.5 | 18.0 | 15.0 | 2.5 | 315 | 60DI4470(1)30(2) | R60DI4470(1)30(2) |
| 63 | 40 | 4.7 | 13.0 | 12.0 | 18.0 | 15.0 | 2.5 | 315 | 60DI4470(1)L0(2) | R60DI4470(1)L0(2) |
| 63 | 40 | 6.8 | 10.0 | 16.0 | 18.0 | 15.0 | 2.5 | 315 | 60DI4680(1)30(2) | R60DI4680(1)30(2) |
| 63 | 40 | 3.3 | 6.0 | 15.0 | 26.5 | 22.5 | 1.5 | 189 | 60DN4330(1)30(2) | R60DN4330(1)30(2) |
| 63 | 40 | 4.7 | 7.0 | 16.0 | 26.5 | 22.5 | 1.5 | 189 | 60DN4470(1)30(2) | R60DN4470(1)30(2) |
| 63 | 40 | 6.8 | 7.0 | 16.0 | 26.5 | 22.5 | 1.5 | 189 | 60DN4680(1)30(2) | R60DN4680(1)30(2) |
| 63 | 40 | 10.0 | 8.5 | 17.0 | 26.5 | 22.5 | 1.5 | 189 | 60DN5100(1)30(2) | R60DN5100(1)30(2) |
| 63 | 40 | 15.0 | 11.0 | 20.0 | 26.5 | 22.5 | 1.5 | 189 | 60DN5150(1)30(2) | R60DN5150(1)30(2) |
| 63 | 40 | 10.0 | 9.0 | 17.0 | 32.0 | 27.5 | 1.0 | 126 | 60DR5100(1)30(2) | R60DR5100(1)30(2) |
| 63 | 40 | 15.0 | 11.0 | 20.0 | 32.0 | 27.5 | 1.0 | 126 | 60DR5150(1)30(2) | R60DR5150(1)30(2) |
| 63 | 40 | 22.0 | 13.0 | 22.0 | 32.0 | 27.5 | 1.0 | 126 | 60DR5220(1)30(2) | R60DR5220(1)30(2) |
| 63 | 40 | 22.0 | 11.0 | 20.0 | 32.0 | 27.5 | 1.0 | 126 | 60DR5220(1)40(2) | R60DR5220(1)40(2) |
| 63 | 40 | 33.0 | 18.0 | 33.0 | 32.0 | 27.5 | 1.0 | 126 | 60DR5330(1)50(2) | R60DR5330(1)50(2) |
| 63 | 40 | 47.0 | 22.0 | 37.0 | 32.0 | 27.5 | 1.0 | 126 | 60DR5470(1)50(2) | R60DR5470(1)50(2) |
| 63 | 40 | 68.0 | 22.0 | 37.0 | 32.0 | 27.5 | 1.0 | 126 | 60DR5680(1)30(2) | R60DR5680(1)30(2) |
| 63 | 40 | 22.0 | 11.0 | 22.0 | 41.5 | 37.5 | 0.8 | 101 | 60DW5220(1)30(2) | R60DW5220(1)30(2) |
| 63 | 40 | 33.0 | 13.0 | 24.0 | 41.5 | 37.5 | 0.8 | 101 | 60DW5330(1)50(2) | R60DW5330(1)50(2) |
| 63 | 40 | 47.0 | 16.0 | 28.5 | 41.5 | 37.5 | 0.8 | 101 | 60DW5470(1)50(2) | R60DW5470(1)50(2) |
| 63 | 40 | 68.0 | 19.0 | 32.0 | 41.5 | 37.5 | 0.8 | 101 | 60DW5680(1)30(2) | R60DW5680(1)30(2) |
| 63 | 40 | 100.0 | 20.0 | 40.0 | 41.5 | 37.5 | 0.8 | 101 | 60DW6100(1)50(3) | R60DW6100(1)50(3) |
| 63 | 40 | 100.0 | 24.0 | 44.0 | 41.5 | 37.5 | 0.8 | 101 | 60DW6100(1)60(2) | R60DW6100(1)60(2) |
| 100 | 63 | 0.33 | 5.0 | 11.0 | 18.0 | 15.0 | 3.0 | 600 | 60EI3330(1)30(2) | R60EI3330(1)30(2) |
| 100 | 63 | 0.47 | 5.0 | 11.0 | 18.0 | 15.0 | 3.0 | 600 | 60EI3470(1)30(2) | R60EI3470(1)30(2) |
| 100 | 63 | 0.68 | 5.0 | 11.0 | 18.0 | 15.0 | 3.0 | 600 | 60EI3680(1)30(2) | R60EI3680(1)30(2) |
| 100 | 63 | 1.0 | 5.0 | 11.0 | 18.0 | 15.0 | 3.0 | 600 | 60EI4100(1)30(2) | R60EI4100(1)30(2) |
| 100 | 63 | 1.5 | 7.5 | 13.5 | 18.0 | 15.0 | 3.0 | 600 | 60EI4150(1)30(2) | R60EI4150(1)30(2) |
| 100 | 63 | 2.2 | 8.5 | 14.5 | 18.0 | 15.0 | 3.0 | 600 | 60EI4220(1)30(2) | R60EI4220(1)30(2) |
| 100 | 63 | 2.2 | 9.0 | 12.5 | 18.0 | 15.0 | 3.0 | 600 | 60EI4220(1)L0(2) | R60EI4220(1)L0(2) |
| 100 | 63 | 3.3 | 10.0 | 16.0 | 18.0 | 15.0 | 3.0 | 600 | 60EI4330(1)30(2) | R60EI4330(1)30(2) |
| 100 | 63 | 3.3 | 13.0 | 12.0 | 18.0 | 15.0 | 3.0 | 600 | 60EI4330(1)L0(2) | R60EI4330(1)L0(2) |
| 100 | 63 | 4.7 | 11.0 | 19.0 | 18.0 | 15.0 | 3.0 | 600 | 60EI4470(1)30(2) | R60EI4470(1)30(2) |
| VDC | VAC | Capacitance Value (µF) | B (mm) | H (mm) | L (mm) | Lead Spacing | dV/dt (V/µs) | Max K ₀ (V ² /µs) | New KEMET Part Number | Legacy Part Number |

(1) Insert lead and packaging code. See Ordering Options Table for available options.

(2) J = 5%, K = 10%, M = 20%

(3) K = 10%, M = 20%

Table 1B – Ratings & Part Number Reference (Wound Capacitor Technology) cont'd

| VDC | VAC | Capacitance Value (µF) | Dimensions in mm | | | Lead Spacing | dV/dt (V/µs) | Maximum K ₀ (V ² /µs) | New KEMET Part Number | Legacy Part Number |
|-----|-----|------------------------|------------------|--------|--------|--------------|--------------|---|-----------------------|--------------------|
| | | | B | H | L | | | | | |
| 100 | 63 | 1.5 | 6.0 | 15.0 | 26.5 | 22.5 | 2.0 | 400 | 60EN4150(1)30(2) | R60EN4150(1)30(2) |
| 100 | 63 | 2.2 | 6.0 | 15.0 | 26.5 | 22.5 | 2.0 | 400 | 60EN4220(1)30(2) | R60EN4220(1)30(2) |
| 100 | 63 | 3.3 | 7.0 | 16.0 | 26.5 | 22.5 | 2.0 | 400 | 60EN4330(1)30(2) | R60EN4330(1)30(2) |
| 100 | 63 | 4.7 | 8.5 | 17.0 | 26.5 | 22.5 | 2.0 | 400 | 60EN4470(1)30(2) | R60EN4470(1)30(2) |
| 100 | 63 | 6.8 | 10.0 | 18.5 | 26.5 | 22.5 | 2.0 | 400 | 60EN4680(1)30(2) | R60EN4680(1)30(2) |
| 100 | 63 | 10.0 | 13.0 | 22.0 | 26.5 | 22.5 | 2.0 | 400 | 60EN5100(1)30(2) | R60EN5100(1)30(2) |
| 100 | 63 | 4.7 | 9.0 | 17.0 | 32.0 | 27.5 | 1.5 | 300 | 60ER4470(1)30(2) | R60ER4470(1)30(2) |
| 100 | 63 | 6.8 | 9.0 | 17.0 | 32.0 | 27.5 | 1.5 | 300 | 60ER4680(1)30(2) | R60ER4680(1)30(2) |
| 100 | 63 | 10.0 | 9.0 | 17.0 | 32.0 | 27.5 | 1.5 | 300 | 60ER5100(1)40(2) | R60ER5100(1)40(2) |
| 100 | 63 | 15.0 | 11.0 | 20.0 | 32.0 | 27.5 | 1.5 | 300 | 60ER5150(1)40(2) | R60ER5150(1)40(2) |
| 100 | 63 | 22.0 | 13.0 | 22.0 | 32.0 | 27.5 | 1.5 | 300 | 60ER5220(1)40(2) | R60ER5220(1)40(2) |
| 100 | 63 | 33.0 | 14.0 | 28.0 | 32.0 | 27.5 | 1.5 | 300 | 60ER5330(1)40(2) | R60ER5330(1)40(2) |
| 100 | 63 | 33.0 | 18.0 | 33.0 | 32.0 | 27.5 | 1.5 | 300 | 60ER5330(1)50(2) | R60ER5330(1)50(2) |
| 100 | 63 | 47.0 | 22.0 | 37.0 | 32.0 | 27.5 | 1.5 | 300 | 60ER5470(1)50(2) | R60ER5470(1)50(2) |
| 100 | 63 | 68.0 | 22.0 | 37.0 | 32.0 | 27.5 | 1.5 | 300 | 60ER5680(1)00(2) | R60ER5680(1)00(2) |
| 100 | 63 | 15.0 | 11.0 | 22.0 | 41.5 | 37.5 | 1.0 | 200 | 60EW5150(1)40(2) | R60EW5150(1)40(2) |
| 100 | 63 | 22.0 | 11.0 | 22.0 | 41.5 | 37.5 | 1.0 | 200 | 60EW5220(1)40(2) | R60EW5220(1)40(2) |
| 100 | 63 | 33.0 | 13.0 | 24.0 | 41.5 | 37.5 | 1.0 | 200 | 60EW5330(1)40(2) | R60EW5330(1)40(2) |
| 100 | 63 | 47.0 | 16.0 | 28.5 | 41.5 | 37.5 | 1.0 | 200 | 60EW5470(1)40(2) | R60EW5470(1)40(2) |
| 100 | 63 | 68.0 | 19.0 | 32.0 | 41.5 | 37.5 | 1.0 | 200 | 60EW5680(1)50(2) | R60EW5680(1)50(2) |
| 100 | 63 | 100.0 | 24.0 | 44.0 | 41.5 | 37.5 | 1.0 | 200 | 60EW6100(1)10(2) | R60EW6100(1)10(2) |
| 100 | 63 | 150.0 | 30.0 | 45.0 | 41.5 | 37.5 | 1.0 | 200 | 60EW6150(1)10(2) | R60EW6150(1)10(2) |
| 160 | 90 | 0.33 | 5.0 | 11.0 | 18.0 | 15.0 | 9.0 | 2880 | 60GI3330(1)30(2) | R60GI3330(1)30(2) |
| 160 | 90 | 0.47 | 5.0 | 11.0 | 18.0 | 15.0 | 9.0 | 2880 | 60GI3470(1)30(2) | R60GI3470(1)30(2) |
| 160 | 90 | 0.68 | 5.0 | 11.0 | 18.0 | 15.0 | 9.0 | 2880 | 60GI3680(1)30(2) | R60GI3680(1)30(2) |
| 160 | 90 | 1.0 | 7.5 | 13.5 | 18.0 | 15.0 | 9.0 | 2880 | 60GI4100(1)30(2) | R60GI4100(1)30(2) |
| 160 | 90 | 1.5 | 8.5 | 14.5 | 18.0 | 15.0 | 9.0 | 2880 | 60GI4150(1)30(2) | R60GI4150(1)30(2) |
| 160 | 90 | 1.5 | 9.0 | 12.5 | 18.0 | 15.0 | 9.0 | 2880 | 60GI4150(1)L0(2) | R60GI4150(1)L0(2) |
| 160 | 90 | 2.2 | 10.0 | 16.0 | 18.0 | 15.0 | 9.0 | 2880 | 60GI4220(1)30(2) | R60GI4220(1)30(2) |
| 160 | 90 | 2.2 | 13.0 | 12.0 | 18.0 | 15.0 | 9.0 | 2880 | 60GI4220(1)L0(2) | R60GI4220(1)L0(2) |
| 160 | 90 | 3.3 | 11.0 | 19.0 | 18.0 | 15.0 | 9.0 | 2880 | 60GI4330(1)30(2) | R60GI4330(1)30(2) |
| 160 | 90 | 1.5 | 6.0 | 15.0 | 26.5 | 22.5 | 5.5 | 1760 | 60GN4150(1)30(2) | R60GN4150(1)30(2) |
| 160 | 90 | 2.2 | 7.0 | 16.0 | 26.5 | 22.5 | 5.5 | 1760 | 60GN4220(1)30(2) | R60GN4220(1)30(2) |
| 160 | 90 | 3.3 | 8.5 | 17.0 | 26.5 | 22.5 | 5.5 | 1760 | 60GN4330(1)30(2) | R60GN4330(1)30(2) |
| 160 | 90 | 4.7 | 11.0 | 20.0 | 26.5 | 22.5 | 5.5 | 1760 | 60GN4470(1)30(2) | R60GN4470(1)30(2) |
| 160 | 90 | 6.8 | 13.0 | 22.0 | 26.5 | 22.5 | 5.5 | 1760 | 60GN4680(1)30(2) | R60GN4680(1)30(2) |
| 160 | 90 | 3.3 | 9.0 | 17.0 | 32.0 | 27.5 | 3.0 | 960 | 60GR4330(1)30(2) | R60GR4330(1)30(2) |
| 160 | 90 | 4.7 | 9.0 | 17.0 | 32.0 | 27.5 | 3.0 | 960 | 60GR4470(1)30(2) | R60GR4470(1)30(2) |
| 160 | 90 | 6.8 | 9.0 | 17.0 | 32.0 | 27.5 | 3.0 | 960 | 60GR4680(1)40(2) | R60GR4680(1)40(2) |
| 160 | 90 | 10.0 | 9.0 | 17.0 | 32.0 | 27.5 | 3.0 | 960 | 60GR5100(1)40(2) | R60GR5100(1)40(2) |
| 160 | 90 | 15.0 | 11.0 | 20.0 | 32.0 | 27.5 | 3.0 | 960 | 60GR5150(1)40(2) | R60GR5150(1)40(2) |
| 160 | 90 | 22.0 | 13.0 | 22.0 | 32.0 | 27.5 | 3.0 | 960 | 60GR5220(1)40(2) | R60GR5220(1)40(2) |
| 160 | 90 | 33.0 | 14.0 | 28.0 | 32.0 | 27.5 | 3.0 | 960 | 60GR5330(1)00(2) | R60GR5330(1)00(2) |
| 160 | 90 | 47.0 | 18.0 | 33.0 | 32.0 | 27.5 | 3.0 | 960 | 60GR5470(1)00(2) | R60GR5470(1)00(2) |
| 160 | 90 | 68.0 | 22.0 | 37.0 | 32.0 | 27.5 | 3.0 | 960 | 60GR5680(1)00(2) | R60GR5680(1)00(2) |
| 160 | 90 | 10.0 | 11.0 | 22.0 | 41.5 | 37.5 | 2.0 | 640 | 60GW5100(1)30(2) | R60GW5100(1)30(2) |
| 160 | 90 | 15.0 | 11.0 | 22.0 | 41.5 | 37.5 | 2.0 | 640 | 60GW5150(1)40(2) | R60GW5150(1)40(2) |
| 160 | 90 | 22.0 | 11.0 | 22.0 | 41.5 | 37.5 | 2.0 | 640 | 60GW5220(1)40(2) | R60GW5220(1)40(2) |
| 160 | 90 | 33.0 | 13.0 | 24.0 | 41.5 | 37.5 | 2.0 | 640 | 60GW5330(1)40(2) | R60GW5330(1)40(2) |
| 160 | 90 | 47.0 | 16.0 | 28.5 | 41.5 | 37.5 | 2.0 | 640 | 60GW5470(1)40(2) | R60GW5470(1)40(2) |
| 160 | 90 | 68.0 | 19.0 | 32.0 | 41.5 | 37.5 | 2.0 | 640 | 60GW5680(1)00(2) | R60GW5680(1)00(2) |
| 160 | 90 | 100.0 | 20.0 | 40.0 | 41.5 | 37.5 | 2.0 | 640 | 60GW6100(1)00(2) | R60GW6100(1)00(2) |
| 160 | 90 | 150.0 | 30.0 | 45.0 | 41.5 | 37.5 | 2.0 | 640 | 60GW6150(1)00(2) | R60GW6150(1)00(2) |
| 250 | 160 | 0.10 | 5.0 | 11.0 | 18.0 | 15.0 | 12.0 | 6000 | 60II3100(1)30(2) | R60II3100(1)30(2) |
| 250 | 160 | 0.15 | 5.0 | 11.0 | 18.0 | 15.0 | 12.0 | 6000 | 60II3150(1)30(2) | R60II3150(1)30(2) |
| 250 | 160 | 0.22 | 5.0 | 11.0 | 18.0 | 15.0 | 12.0 | 6000 | 60II3220(1)30(2) | R60II3220(1)30(2) |
| 250 | 160 | 0.33 | 5.0 | 11.0 | 18.0 | 15.0 | 12.0 | 6000 | 60II3330(1)30(2) | R60II3330(1)30(2) |
| 250 | 160 | 0.47 | 6.0 | 12.0 | 18.0 | 15.0 | 12.0 | 6000 | 60II3470(1)30(2) | R60II3470(1)30(2) |
| VDC | VAC | Capacitance Value (µF) | B (mm) | H (mm) | L (mm) | Lead Spacing | dV/dt (V/µs) | Max K ₀ (V ² /µs) | New KEMET Part Number | Legacy Part Number |

(1) Insert lead and packaging code. See Ordering Options Table for available options.

(2) J = 5%, K = 10%, M = 20%

(3) K = 10%, M = 20%

Table 1B – Ratings & Part Number Reference (Wound Capacitor Technology) cont'd

| VDC | VAC | Capacitance Value (µF) | Dimensions in mm | | | Lead Spacing | dV/dt (V/µs) | Maximum K ₀ (V ² /µs) | New KEMET Part Number | Legacy Part Number |
|-----|-----|------------------------|------------------|------|------|--------------|--------------|---|-----------------------|--------------------|
| | | | B | H | L | | | | | |
| 250 | 160 | 0.68 | 7.5 | 13.5 | 18.0 | 15.0 | 12.0 | 6000 | 60II3680(1)30(2) | R60II3680(1)30(2) |
| 250 | 160 | 0.68 | 9.0 | 12.5 | 18.0 | 15.0 | 12.0 | 6000 | 60II3680(1)L0(2) | R60II3680(1)L0(2) |
| 250 | 160 | 1.0 | 8.5 | 14.5 | 18.0 | 15.0 | 12.0 | 6000 | 60II4100(1)30(2) | R60II4100(1)30(2) |
| 250 | 160 | 1.0 | 13.0 | 12.0 | 18.0 | 15.0 | 12.0 | 6000 | 60II4100(1)L0(2) | R60II4100(1)L0(2) |
| 250 | 160 | 1.5 | 10.0 | 16.0 | 18.0 | 15.0 | 12.0 | 6000 | 60II4150(1)30(2) | R60II4150(1)30(2) |
| 250 | 160 | 0.47 | 6.0 | 15.0 | 26.5 | 22.5 | 8.0 | 4000 | 60IN3470(1)30(2) | R60IN3470(1)30(2) |
| 250 | 160 | 0.68 | 6.0 | 15.0 | 26.5 | 22.5 | 8.0 | 4000 | 60IN3680(1)30(2) | R60IN3680(1)30(2) |
| 250 | 160 | 1.0 | 6.0 | 15.0 | 26.5 | 22.5 | 8.0 | 4000 | 60IN4100(1)30(2) | R60IN4100(1)30(2) |
| 250 | 160 | 1.5 | 7.0 | 16.0 | 26.5 | 22.5 | 8.0 | 4000 | 60IN4150(1)30(2) | R60IN4150(1)30(2) |
| 250 | 160 | 2.2 | 10.0 | 18.5 | 26.5 | 22.5 | 8.0 | 4000 | 60IN4220(1)30(2) | R60IN4220(1)30(2) |
| 250 | 160 | 3.3 | 11.0 | 20.0 | 26.5 | 22.5 | 8.0 | 4000 | 60IN4330(1)30(2) | R60IN4330(1)30(2) |
| 250 | 160 | 1.5 | 9.0 | 17.0 | 32.0 | 27.5 | 5.0 | 2500 | 60IR4150(1)30(2) | R60IR4150(1)30(2) |
| 250 | 160 | 2.2 | 9.0 | 17.0 | 32.0 | 27.5 | 5.0 | 2500 | 60IR4220(1)30(2) | R60IR4220(1)30(2) |
| 250 | 160 | 3.3 | 9.0 | 17.0 | 32.0 | 27.5 | 5.0 | 2500 | 60IR4330(1)40(2) | R60IR4330(1)40(2) |
| 250 | 160 | 4.7 | 9.0 | 17.0 | 32.0 | 27.5 | 5.0 | 2500 | 60IR4470(1)40(2) | R60IR4470(1)40(2) |
| 250 | 160 | 6.8 | 11.0 | 20.0 | 32.0 | 27.5 | 5.0 | 2500 | 60IR4680(1)40(2) | R60IR4680(1)40(2) |
| 250 | 160 | 10.0 | 13.0 | 22.0 | 32.0 | 27.5 | 5.0 | 2500 | 60IR5100(1)40(2) | R60IR5100(1)40(2) |
| 250 | 160 | 15.0 | 14.0 | 28.0 | 32.0 | 27.5 | 5.0 | 2500 | 60IR5150(1)40(2) | R60IR5150(1)40(2) |
| 250 | 160 | 22.0 | 18.0 | 33.0 | 32.0 | 27.5 | 5.0 | 2500 | 60IR5220(1)00(2) | R60IR5220(1)00(2) |
| 250 | 160 | 33.0 | 22.0 | 37.0 | 32.0 | 27.5 | 5.0 | 2500 | 60IR5330(1)00(2) | R60IR5330(1)00(2) |
| 250 | 160 | 4.7 | 11.0 | 22.0 | 41.5 | 37.5 | 4.0 | 2000 | 60IW4470(1)30(2) | R60IW4470(1)30(2) |
| 250 | 160 | 6.8 | 11.0 | 22.0 | 41.5 | 37.5 | 4.0 | 2000 | 60IW4680(1)40(2) | R60IW4680(1)40(2) |
| 250 | 160 | 10.0 | 11.0 | 22.0 | 41.5 | 37.5 | 4.0 | 2000 | 60IW5100(1)40(2) | R60IW5100(1)40(2) |
| 250 | 160 | 15.0 | 13.0 | 24.0 | 41.5 | 37.5 | 4.0 | 2000 | 60IW5150(1)40(2) | R60IW5150(1)40(2) |
| 250 | 160 | 22.0 | 16.0 | 28.5 | 41.5 | 37.5 | 4.0 | 2000 | 60IW5220(1)40(2) | R60IW5220(1)40(2) |
| 250 | 160 | 33.0 | 19.0 | 32.0 | 41.5 | 37.5 | 4.0 | 2000 | 60IW5330(1)40(2) | R60IW5330(1)40(2) |
| 250 | 160 | 47.0 | 20.0 | 40.0 | 41.5 | 37.5 | 4.0 | 2000 | 60IW5470(1)00(2) | R60IW5470(1)00(2) |
| 250 | 160 | 68.0 | 24.0 | 44.0 | 41.5 | 37.5 | 4.0 | 2000 | 60IW5680(1)00(2) | R60IW5680(1)00(2) |
| 400 | 200 | 0.022 | 5.0 | 11.0 | 18.0 | 15.0 | 20.0 | 16000 | 60MI2220(1)30(2) | R60MI2220(1)30(2) |
| 400 | 200 | 0.047 | 5.0 | 11.0 | 18.0 | 15.0 | 20.0 | 16000 | 60MI2470(1)30(2) | R60MI2470(1)30(2) |
| 400 | 200 | 0.068 | 5.0 | 11.0 | 18.0 | 15.0 | 20.0 | 16000 | 60MI2680(1)30(2) | R60MI2680(1)30(2) |
| 400 | 200 | 0.10 | 5.0 | 11.0 | 18.0 | 15.0 | 20.0 | 16000 | 60MI3100(1)30(2) | R60MI3100(1)30(2) |
| 400 | 200 | 0.15 | 5.0 | 11.0 | 18.0 | 15.0 | 20.0 | 16000 | 60MI3150(1)30(2) | R60MI3150(1)30(2) |
| 400 | 200 | 0.22 | 5.0 | 11.0 | 18.0 | 15.0 | 20.0 | 16000 | 60MI3220(1)40(2) | R60MI3220(1)40(2) |
| 400 | 200 | 0.22 | 6.0 | 12.0 | 18.0 | 15.0 | 20.0 | 16000 | 60MI3220(1)30(2) | R60MI3220(1)30(2) |
| 400 | 200 | 0.33 | 7.5 | 13.5 | 18.0 | 15.0 | 20.0 | 16000 | 60MI3330(1)30(2) | R60MI3330(1)30(2) |
| 400 | 200 | 0.33 | 9.0 | 12.5 | 18.0 | 15.0 | 20.0 | 16000 | 60MI3330(1)L0(2) | R60MI3330(1)L0(2) |
| 400 | 200 | 0.47 | 7.5 | 13.5 | 18.0 | 15.0 | 20.0 | 16000 | 60MI3470(1)40(2) | R60MI3470(1)40(2) |
| 400 | 200 | 0.47 | 8.5 | 14.5 | 18.0 | 15.0 | 20.0 | 16000 | 60MI3470(1)30(2) | R60MI3470(1)30(2) |
| 400 | 200 | 0.47 | 9.0 | 12.5 | 18.0 | 15.0 | 20.0 | 16000 | 60MI3470(1)L1(2) | R60MI3470(1)L1(2) |
| 400 | 200 | 0.47 | 13.0 | 12.0 | 18.0 | 15.0 | 20.0 | 16000 | 60MI3470(1)L0(2) | R60MI3470(1)L0(2) |
| 400 | 200 | 0.68 | 10.0 | 16.0 | 18.0 | 15.0 | 20.0 | 16000 | 60MI3680(1)40(2) | R60MI3680(1)40(2) |
| 400 | 200 | 0.68 | 11.0 | 19.0 | 18.0 | 15.0 | 20.0 | 16000 | 60MI3680(1)30(2) | R60MI3680(1)30(2) |
| 400 | 200 | 0.68 | 13.0 | 12.0 | 18.0 | 15.0 | 20.0 | 16000 | 60MI3680(1)L0(2) | R60MI3680(1)L0(2) |
| 400 | 200 | 1.0 | 11.0 | 19.0 | 18.0 | 15.0 | 20.0 | 16000 | 60MI4100(1)30(2) | R60MI4100(1)30(2) |
| 400 | 200 | 0.22 | 6.0 | 15.0 | 26.5 | 22.5 | 10.0 | 8000 | 60MN3220(1)30(2) | R60MN3220(1)30(2) |
| 400 | 200 | 0.33 | 6.0 | 15.0 | 26.5 | 22.5 | 10.0 | 8000 | 60MN3330(1)30(2) | R60MN3330(1)30(2) |
| 400 | 200 | 0.47 | 6.0 | 15.0 | 26.5 | 22.5 | 10.0 | 8000 | 60MN3470(1)30(2) | R60MN3470(1)30(2) |
| 400 | 200 | 0.68 | 6.0 | 15.0 | 26.5 | 22.5 | 10.0 | 8000 | 60MN3680(1)40(2) | R60MN3680(1)40(2) |
| 400 | 200 | 0.68 | 7.0 | 16.0 | 26.5 | 22.5 | 10.0 | 8000 | 60MN3680(1)30(2) | R60MN3680(1)30(2) |
| 400 | 200 | 1.0 | 8.5 | 17.0 | 26.5 | 22.5 | 10.0 | 8000 | 60MN4100(1)40(2) | R60MN4100(1)40(2) |
| 400 | 200 | 1.0 | 10.0 | 18.5 | 26.5 | 22.5 | 10.0 | 8000 | 60MN4100(1)30(2) | R60MN4100(1)30(2) |
| 400 | 200 | 1.5 | 10.0 | 18.5 | 26.5 | 22.5 | 10.0 | 8000 | 60MN4150(1)40(2) | R60MN4150(1)40(2) |
| 400 | 200 | 1.5 | 11.0 | 20.0 | 26.5 | 22.5 | 10.0 | 8000 | 60MN4150(1)30(2) | R60MN4150(1)30(2) |
| 400 | 200 | 2.2 | 13.0 | 22.0 | 26.5 | 22.5 | 10.0 | 8000 | 60MN4220(1)30(2) | R60MN4220(1)30(2) |
| 400 | 200 | 0.68 | 9.0 | 17.0 | 32.0 | 27.5 | 8.5 | 6800 | 60MR3680(1)30(2) | R60MR3680(1)30(2) |
| 400 | 200 | 1.0 | 9.0 | 17.0 | 32.0 | 27.5 | 8.5 | 6800 | 60MR4100(1)30(2) | R60MR4100(1)30(2) |
| 400 | 200 | 1.5 | 9.0 | 17.0 | 32.0 | 27.5 | 8.5 | 6800 | 60MR4150(1)40(2) | R60MR4150(1)40(2) |

(1) Insert lead and packaging code. See Ordering Options Table for available options.

(2) J = 5%, K = 10%, M = 20%

(3) K = 10%, M = 20%

Table 1B – Ratings & Part Number Reference (Wound Capacitor Technology) cont'd

| VDC | VAC | Capacitance Value (µF) | Dimensions in mm | | | Lead Spacing | dV/dt (V/µs) | Maximum K ₀ (V ² /µs) | New KEMET Part Number | Legacy Part Number |
|-----|-----|------------------------|------------------|--------|--------|--------------|--------------|---|-----------------------|--------------------|
| | | | B | H | L | | | | | |
| 400 | 200 | 2.2 | 11.0 | 20.0 | 32.0 | 27.5 | 8.5 | 6800 | 60MR4220(1)40(2) | R60MR4220(1)40(2) |
| 400 | 200 | 3.3 | 13.0 | 22.0 | 32.0 | 27.5 | 8.5 | 6800 | 60MR4330(1)40(2) | R60MR4330(1)40(2) |
| 400 | 200 | 4.7 | 14.0 | 28.0 | 32.0 | 27.5 | 8.5 | 6800 | 60MR4470(1)40(2) | R60MR4470(1)40(2) |
| 400 | 200 | 6.8 | 18.0 | 33.0 | 32.0 | 27.5 | 8.5 | 6800 | 60MR4680(1)40(2) | R60MR4680(1)40(2) |
| 400 | 200 | 10.0 | 22.0 | 37.0 | 32.0 | 27.5 | 8.5 | 6800 | 60MR5100(1)40(2) | R60MR5100(1)40(2) |
| 400 | 200 | 3.3 | 11.0 | 22.0 | 41.5 | 37.5 | 6.0 | 4800 | 60MW4330(1)30(2) | R60MW4330(1)30(2) |
| 400 | 200 | 4.7 | 11.0 | 22.0 | 41.5 | 37.5 | 6.0 | 4800 | 60MW4470(1)40(2) | R60MW4470(1)40(2) |
| 400 | 200 | 6.8 | 13.0 | 24.0 | 41.5 | 37.5 | 6.0 | 4800 | 60MW4680(1)40(2) | R60MW4680(1)40(2) |
| 400 | 200 | 10.0 | 16.0 | 28.5 | 41.5 | 37.5 | 6.0 | 4800 | 60MW5100(1)40(2) | R60MW5100(1)40(2) |
| 400 | 200 | 15.0 | 24.0 | 44.0 | 41.5 | 37.5 | 6.0 | 4800 | 60MW5150(1)30(2) | R60MW5150(1)30(2) |
| 400 | 200 | 22.0 | 24.0 | 44.0 | 41.5 | 37.5 | 6.0 | 4800 | 60MW5220(1)40(2) | R60MW5220(1)40(2) |
| 400 | 200 | 33.0 | 30.0 | 45.0 | 41.5 | 37.5 | 6.0 | 4800 | 60MW5330(1)40(2) | R60MW5330(1)40(2) |
| 630 | 220 | 0.0047 | 4.0 | 9.0 | 13.0 | 10.0 | 40.0 | 50400 | 60PF1470(1)30(2) | R60PF1470(1)30(2) |
| 630 | 220 | 0.0068 | 4.0 | 9.0 | 13.0 | 10.0 | 40.0 | 50400 | 60PF1680(1)30(2) | R60PF1680(1)30(2) |
| 630 | 220 | 0.010 | 4.0 | 9.0 | 13.0 | 10.0 | 40.0 | 50400 | 60PF2100(1)30(2) | R60PF2100(1)30(2) |
| 630 | 220 | 0.015 | 4.0 | 9.0 | 13.0 | 10.0 | 40.0 | 50400 | 60PF2150(1)30(2) | R60PF2150(1)30(2) |
| 630 | 220 | 0.022 | 4.0 | 9.0 | 13.0 | 10.0 | 40.0 | 50400 | 60PF2220(1)40(2) | R60PF2220(1)40(2) |
| 630 | 220 | 0.022 | 5.0 | 11.0 | 13.0 | 10.0 | 40.0 | 50400 | 60PF2220(1)30(2) | R60PF2220(1)30(2) |
| 630 | 220 | 0.033 | 5.0 | 11.0 | 13.0 | 10.0 | 40.0 | 50400 | 60PF2330(1)40(2) | R60PF2330(1)40(2) |
| 630 | 220 | 0.033 | 6.0 | 12.0 | 13.0 | 10.0 | 40.0 | 50400 | 60PF2330(1)30(2) | R60PF2330(1)30(2) |
| 630 | 220 | 0.047 | 6.0 | 12.0 | 13.0 | 10.0 | 40.0 | 50400 | 60PF2470(1)30(2) | R60PF2470(1)30(2) |
| 630 | 220 | 0.033 | 5.0 | 11.0 | 18.0 | 15.0 | 25.0 | 31500 | 60PI2330(1)30(2) | R60PI2330(1)30(2) |
| 630 | 220 | 0.047 | 5.0 | 11.0 | 18.0 | 15.0 | 25.0 | 31500 | 60PI2470(1)30(2) | R60PI2470(1)30(2) |
| 630 | 220 | 0.068 | 5.0 | 11.0 | 18.0 | 15.0 | 25.0 | 31500 | 60PI2680(1)40(2) | R60PI2680(1)40(2) |
| 630 | 220 | 0.068 | 6.0 | 12.0 | 18.0 | 15.0 | 25.0 | 31500 | 60PI2680(1)30(2) | R60PI2680(1)30(2) |
| 630 | 220 | 0.10 | 6.0 | 12.0 | 18.0 | 15.0 | 25.0 | 31500 | 60PI3100(1)40(2) | R60PI3100(1)40(2) |
| 630 | 220 | 0.10 | 7.5 | 13.5 | 18.0 | 15.0 | 25.0 | 31500 | 60PI3100(1)30(2) | R60PI3100(1)30(2) |
| 630 | 220 | 0.10 | 9.0 | 12.5 | 18.0 | 15.0 | 25.0 | 31500 | 60PI3100(1)L0(2) | R60PI3100(1)L0(2) |
| 630 | 220 | 0.15 | 7.5 | 13.5 | 18.0 | 15.0 | 25.0 | 31500 | 60PI3150(1)40(2) | R60PI3150(1)40(2) |
| 630 | 220 | 0.15 | 8.5 | 14.5 | 18.0 | 15.0 | 25.0 | 31500 | 60PI3150(1)30(2) | R60PI3150(1)30(2) |
| 630 | 220 | 0.22 | 8.5 | 14.5 | 18.0 | 15.0 | 25.0 | 31500 | 60PI3220(1)40(2) | R60PI3220(1)40(2) |
| 630 | 220 | 0.22 | 10.0 | 16.0 | 18.0 | 15.0 | 25.0 | 31500 | 60PI3220(1)30(2) | R60PI3220(1)30(2) |
| 630 | 220 | 0.33 | 10.0 | 16.0 | 18.0 | 15.0 | 25.0 | 31500 | 60PI3330(1)30(2) | R60PI3330(1)30(2) |
| 630 | 220 | 0.10 | 6.0 | 15.0 | 26.5 | 22.5 | 12.0 | 15120 | 60PN3100(1)30(2) | R60PN3100(1)30(2) |
| 630 | 220 | 0.15 | 6.0 | 15.0 | 26.5 | 22.5 | 12.0 | 15120 | 60PN3150(1)30(2) | R60PN3150(1)30(2) |
| 630 | 220 | 0.22 | 6.0 | 15.0 | 26.5 | 22.5 | 12.0 | 15120 | 60PN3220(1)40(2) | R60PN3220(1)40(2) |
| 630 | 220 | 0.22 | 7.0 | 16.0 | 26.5 | 22.5 | 12.0 | 15120 | 60PN3220(1)30(2) | R60PN3220(1)30(2) |
| 630 | 220 | 0.33 | 7.0 | 16.0 | 26.5 | 22.5 | 12.0 | 15120 | 60PN3330(1)50(2) | R60PN3330(1)50(2) |
| 630 | 220 | 0.33 | 8.5 | 17.0 | 26.5 | 22.5 | 12.0 | 15120 | 60PN3330(1)40(2) | R60PN3330(1)40(2) |
| 630 | 220 | 0.33 | 10.0 | 18.5 | 26.5 | 22.5 | 12.0 | 15120 | 60PN3330(1)30(2) | R60PN3330(1)30(2) |
| 630 | 220 | 0.47 | 10.0 | 18.5 | 26.5 | 22.5 | 12.0 | 15120 | 60PN3470(1)40(2) | R60PN3470(1)40(2) |
| 630 | 220 | 0.47 | 11.0 | 20.0 | 26.5 | 22.5 | 12.0 | 15120 | 60PN3470(1)30(2) | R60PN3470(1)30(2) |
| 630 | 220 | 0.68 | 11.0 | 20.0 | 26.5 | 22.5 | 12.0 | 15120 | 60PN3680(1)40(2) | R60PN3680(1)40(2) |
| 630 | 220 | 0.68 | 13.0 | 22.0 | 26.5 | 22.5 | 12.0 | 15120 | 60PN3680(1)30(2) | R60PN3680(1)30(2) |
| 630 | 220 | 0.33 | 9.0 | 17.0 | 32.0 | 27.5 | 10.0 | 12600 | 60PR3330(1)30(2) | R60PR3330(1)30(2) |
| 630 | 220 | 0.47 | 9.0 | 17.0 | 32.0 | 27.5 | 10.0 | 12600 | 60PR3470(1)40(2) | R60PR3470(1)40(2) |
| 630 | 220 | 0.68 | 11.0 | 20.0 | 32.0 | 27.5 | 10.0 | 12600 | 60PR3680(1)40(2) | R60PR3680(1)40(2) |
| 630 | 220 | 1.0 | 11.0 | 20.0 | 32.0 | 27.5 | 10.0 | 12600 | 60PR4100(1)50(2) | R60PR4100(1)50(2) |
| 630 | 220 | 1.5 | 18.0 | 33.0 | 32.0 | 27.5 | 10.0 | 12600 | 60PR4150(1)30(2) | R60PR4150(1)30(2) |
| 630 | 220 | 2.2 | 18.0 | 33.0 | 32.0 | 27.5 | 10.0 | 12600 | 60PR4220(1)40(2) | R60PR4220(1)40(2) |
| 630 | 220 | 3.3 | 22.0 | 37.0 | 32.0 | 27.5 | 10.0 | 12600 | 60PR4330(1)40(2) | R60PR4330(1)40(2) |
| 630 | 220 | 4.7 | 22.0 | 37.0 | 32.0 | 27.5 | 10.0 | 12600 | 60PR4470(1)40(2) | R60PR4470(1)40(2) |
| 630 | 220 | 1.0 | 11.0 | 22.0 | 41.5 | 37.5 | 8.0 | 10080 | 60PW4100(1)30(2) | R60PW4100(1)30(2) |
| 630 | 220 | 1.5 | 11.0 | 22.0 | 41.5 | 37.5 | 8.0 | 10080 | 60PW4150(1)40(2) | R60PW4150(1)40(2) |
| 630 | 220 | 2.2 | 13.0 | 24.0 | 41.5 | 37.5 | 8.0 | 10080 | 60PW4220(1)40(2) | R60PW4220(1)40(2) |
| 630 | 220 | 3.3 | 16.0 | 28.5 | 41.5 | 37.5 | 8.0 | 10080 | 60PW4330(1)40(2) | R60PW4330(1)40(2) |
| 630 | 220 | 4.7 | 19.0 | 32.0 | 41.5 | 37.5 | 8.0 | 10080 | 60PW4470(1)40(2) | R60PW4470(1)40(2) |
| 630 | 220 | 6.8 | 20.0 | 40.0 | 41.5 | 37.5 | 8.0 | 10080 | 60PW4680(1)00(2) | R60PW4680(1)00(2) |
| VDC | VAC | Capacitance Value (µF) | B (mm) | H (mm) | L (mm) | Lead Spacing | dV/dt (V/µs) | Max K ₀ (V ² /µs) | New KEMET Part Number | Legacy Part Number |

- (1) Insert lead and packaging code. See Ordering Options Table for available options.
(2) J = 5%, K = 10%, M = 20%
(3) K = 10%, M = 20%

Table 1B – Ratings & Part Number Reference (Wound Capacitor Technology) cont'd

| VDC | VAC | Capacitance Value (µF) | Dimensions in mm | | | Lead Spacing | dV/dt (V/µs) | Maximum K ₀ (V ² /µs) | New KEMET Part Number | Legacy Part Number |
|------|-----|------------------------|------------------|--------|--------|--------------|--------------|---|-----------------------|--------------------|
| | | | B | H | L | | | | | |
| 630 | 220 | 10.0 | 24.0 | 44.0 | 41.5 | 37.5 | 8.0 | 10080 | 60PW5100(1)40(2) | R60PW5100(1)40(2) |
| 1000 | 250 | 0.0010 | 4.0 | 9.0 | 13.0 | 10.0 | 60.0 | 120000 | 60QF1100(1)01(2) | R60QF1100(1)01(2) |
| 1000 | 250 | 0.0015 | 4.0 | 9.0 | 13.0 | 10.0 | 60.0 | 120000 | 60QF1150(1)01(2) | R60QF1150(1)01(2) |
| 1000 | 250 | 0.0022 | 4.0 | 9.0 | 13.0 | 10.0 | 60.0 | 120000 | 60QF1220(1)01(2) | R60QF1220(1)01(2) |
| 1000 | 250 | 0.0033 | 4.0 | 9.0 | 13.0 | 10.0 | 60.0 | 120000 | 60QF1330(1)01(2) | R60QF1330(1)01(2) |
| 1000 | 250 | 0.0047 | 5.0 | 11.0 | 13.0 | 10.0 | 60.0 | 120000 | 60QF1470(1)01(2) | R60QF1470(1)01(2) |
| 1000 | 250 | 0.0068 | 6.0 | 12.0 | 13.0 | 10.0 | 60.0 | 120000 | 60QF1680(1)01(2) | R60QF1680(1)01(2) |
| 1000 | 250 | 0.010 | 5.0 | 11.0 | 18.0 | 15.0 | 30.0 | 60000 | 60QI2100(1)00(2) | R60QI2100(1)00(2) |
| 1000 | 250 | 0.015 | 5.0 | 11.0 | 18.0 | 15.0 | 30.0 | 60000 | 60QI2150(1)30(2) | R60QI2150(1)30(2) |
| 1000 | 250 | 0.022 | 6.0 | 12.0 | 18.0 | 15.0 | 30.0 | 60000 | 60QI2220(1)30(2) | R60QI2220(1)30(2) |
| 1000 | 250 | 0.033 | 7.5 | 13.5 | 18.0 | 15.0 | 30.0 | 60000 | 60QI2330(1)30(2) | R60QI2330(1)30(2) |
| 1000 | 250 | 0.033 | 9.0 | 12.5 | 18.0 | 15.0 | 30.0 | 60000 | 60QI2330(1)L0(2) | R60QI2330(1)L0(2) |
| 1000 | 250 | 0.047 | 10.0 | 16.0 | 18.0 | 15.0 | 30.0 | 60000 | 60QI2470(1)00(2) | R60QI2470(1)00(2) |
| 1000 | 250 | 0.047 | 13.0 | 12.0 | 18.0 | 15.0 | 30.0 | 60000 | 60QI2470(1)L0(2) | R60QI2470(1)L0(2) |
| 1000 | 250 | 0.068 | 11.0 | 19.0 | 18.0 | 15.0 | 30.0 | 60000 | 60QI2680(1)00(2) | R60QI2680(1)00(2) |
| 1000 | 250 | 0.033 | 6.0 | 15.0 | 26.5 | 22.5 | 15.0 | 30000 | 60QN2330(1)00(2) | R60QN2330(1)00(2) |
| 1000 | 250 | 0.047 | 6.0 | 15.0 | 26.5 | 22.5 | 15.0 | 30000 | 60QN2470(1)00(2) | R60QN2470(1)00(2) |
| 1000 | 250 | 0.068 | 7.0 | 16.0 | 26.5 | 22.5 | 15.0 | 30000 | 60QN2680(1)30(2) | R60QN2680(1)30(2) |
| 1000 | 250 | 0.10 | 8.5 | 17.0 | 26.5 | 22.5 | 15.0 | 30000 | 60QN3100(1)30(2) | R60QN3100(1)30(2) |
| 1000 | 250 | 0.15 | 13.0 | 22.0 | 26.5 | 22.5 | 15.0 | 30000 | 60QN3150(1)00(2) | R60QN3150(1)00(2) |
| 1000 | 250 | 0.15 | 9.0 | 17.0 | 32.0 | 27.5 | 12.0 | 24000 | 60QR3150(1)30(2) | R60QR3150(1)30(2) |
| 1000 | 250 | 0.22 | 9.0 | 17.0 | 32.0 | 27.5 | 12.0 | 24000 | 60QR3220(1)40(2) | R60QR3220(1)40(2) |
| 1000 | 250 | 0.33 | 11.0 | 20.0 | 32.0 | 27.5 | 12.0 | 24000 | 60QR3330(1)40(2) | R60QR3330(1)40(2) |
| 1000 | 250 | 0.47 | 13.0 | 22.0 | 32.0 | 27.5 | 12.0 | 24000 | 60QR3470(1)40(2) | R60QR3470(1)40(2) |
| 1000 | 250 | 0.68 | 14.0 | 28.0 | 32.0 | 27.5 | 12.0 | 24000 | 60QR3680(1)40(2) | R60QR3680(1)40(2) |
| 1000 | 250 | 1.0 | 18.0 | 33.0 | 32.0 | 27.5 | 12.0 | 24000 | 60QR4100(1)40(2) | R60QR4100(1)40(2) |
| 1000 | 250 | 1.5 | 22.0 | 37.0 | 32.0 | 27.5 | 12.0 | 24000 | 60QR4150(1)40(2) | R60QR4150(1)40(2) |
| 1000 | 250 | 0.47 | 11.0 | 22.0 | 41.5 | 37.5 | 10.0 | 20000 | 60QW3470(1)30(2) | R60QW3470(1)30(2) |
| 1000 | 250 | 0.68 | 11.0 | 22.0 | 41.5 | 37.5 | 10.0 | 20000 | 60QW3680(1)40(2) | R60QW3680(1)40(2) |
| 1000 | 250 | 1.0 | 16.0 | 28.5 | 41.5 | 37.5 | 10.0 | 20000 | 60QW4100(1)50(2) | R60QW4100(1)50(2) |
| 1000 | 250 | 1.5 | 19.0 | 32.0 | 41.5 | 37.5 | 10.0 | 20000 | 60QW4150(1)50(2) | R60QW4150(1)50(2) |
| 1000 | 250 | 2.2 | 20.0 | 40.0 | 41.5 | 37.5 | 10.0 | 20000 | 60QW4220(1)30(2) | R60QW4220(1)30(2) |
| 1000 | 250 | 3.3 | 24.0 | 44.0 | 41.5 | 37.5 | 10.0 | 20000 | 60QW4330(1)00(2) | R60QW4330(1)00(2) |
| 1000 | 250 | 4.7 | 30.0 | 45.0 | 41.5 | 37.5 | 10.0 | 20000 | 60QW4470(1)40(3) | R60QW4470(1)40(3) |
| VDC | VAC | Capacitance Value (µF) | B (mm) | H (mm) | L (mm) | Lead Spacing | dV/dt (V/µs) | Max K ₀ (V ² /µs) | New KEMET Part Number | Legacy Part Number |

(1) Insert lead and packaging code. See Ordering Options Table for available options.

(2) J = 5%, K = 10%, M = 20%

(3) K = 10%, M = 20%

Soldering Process

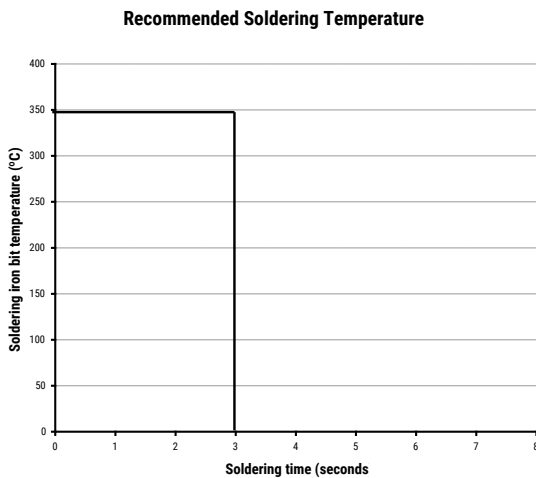
The implementation of the RoHS directive has resulted in the selection of SnAgCu (SAC) alloys or SnCu alloys as primary solder. This has increased the liquidus temperature from that of 183°C for SnPb eutectic alloy to 217 – 221°C for the new alloys. As a result, the heat stress to the components, even in wave soldering, has increased considerably due to higher pre-heat and wave temperatures. Polypropylene capacitors are especially sensitive to heat (the melting point of polypropylene is 160 – 170°C). Wave soldering can be destructive, especially for mechanically small polypropylene capacitors (with lead spacing of 5 mm to 15 mm), and great care has to be taken during soldering. The recommended solder profiles from KEMET should be used. Please consult KEMET with any questions. In general, the wave soldering curve from IEC Publication 61760-1 Edition 2 serves as a solid guideline for successful soldering. Please see Figure 1.

Reflow soldering is not recommended for through-hole film capacitors. Exposing capacitors to a soldering profile in excess of the above the recommended limits may result to degradation or permanent damage to the capacitors.

Do not place the polypropylene capacitor through an adhesive curing oven to cure resin for surface mount components. Insert through-hole parts after the curing of surface mount parts. Consult KEMET to discuss the actual temperature profile in the oven, if through-hole components must pass through the adhesive curing process. A maximum two soldering cycles is recommended. Please allow time for the capacitor surface temperature to return to a normal temperature before the second soldering cycle.

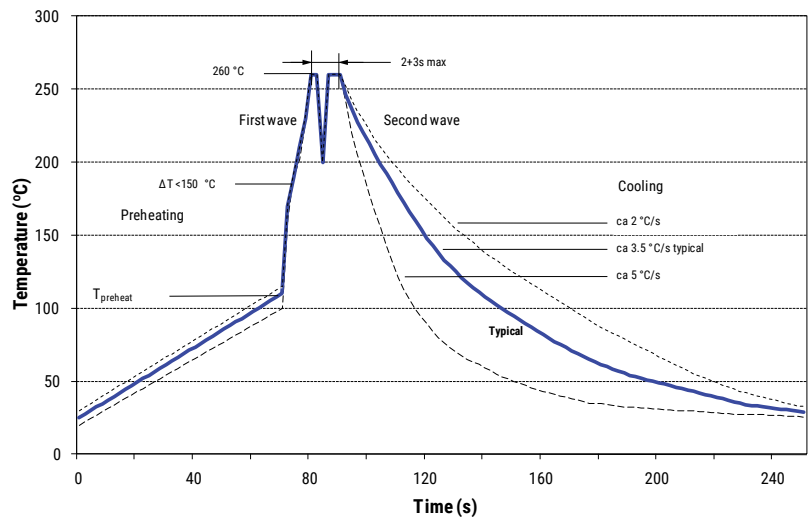
Manual Soldering Recommendations

Following is the recommendation for manual soldering with a soldering iron.



The soldering iron tip temperature should be set at 350°C (+10°C maximum) with the soldering duration not to exceed more than 3 seconds.

Wave Soldering Recommendations



Soldering Process cont'd

Wave Soldering Recommendations cont'd

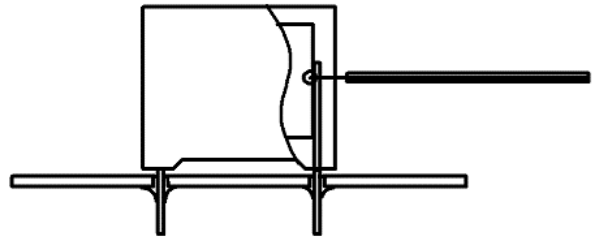
1. The table indicates the maximum set-up temperature of the soldering process
Figure 1

| Dielectric Film Material | Maximum Preheat Temperature | | | Maximum Peak Soldering Temperature | |
|--------------------------|-----------------------------|-------------------------|-------------------------|------------------------------------|-------------------------|
| | Capacitor Pitch ≤ 10 mm | Capacitor Pitch = 15 mm | Capacitor Pitch > 15 mm | Capacitor Pitch ≤ 15 mm | Capacitor Pitch > 15 mm |
| Polyester | 130°C | 130°C | 130°C | 270°C | 270°C |
| Polypropylene | 100°C | 110°C | 130°C | 260°C | 270°C |
| Paper | 130°C | 130°C | 140°C | 270°C | 270°C |
| Polyphenylene Sulphide | 150°C | 150°C | 160°C | 270°C | 270°C |

2. The maximum temperature measured inside the capacitor:

Set the temperature so that inside the element the maximum temperature is below the limit:

| Dielectric Film Material | Maximum temperature measured inside the element |
|--------------------------|---|
| Polyester | 160°C |
| Polypropylene | 110°C |
| Paper | 160°C |
| Polyphenylene sulphide | 160°C |



Temperature monitored inside the capacitor.

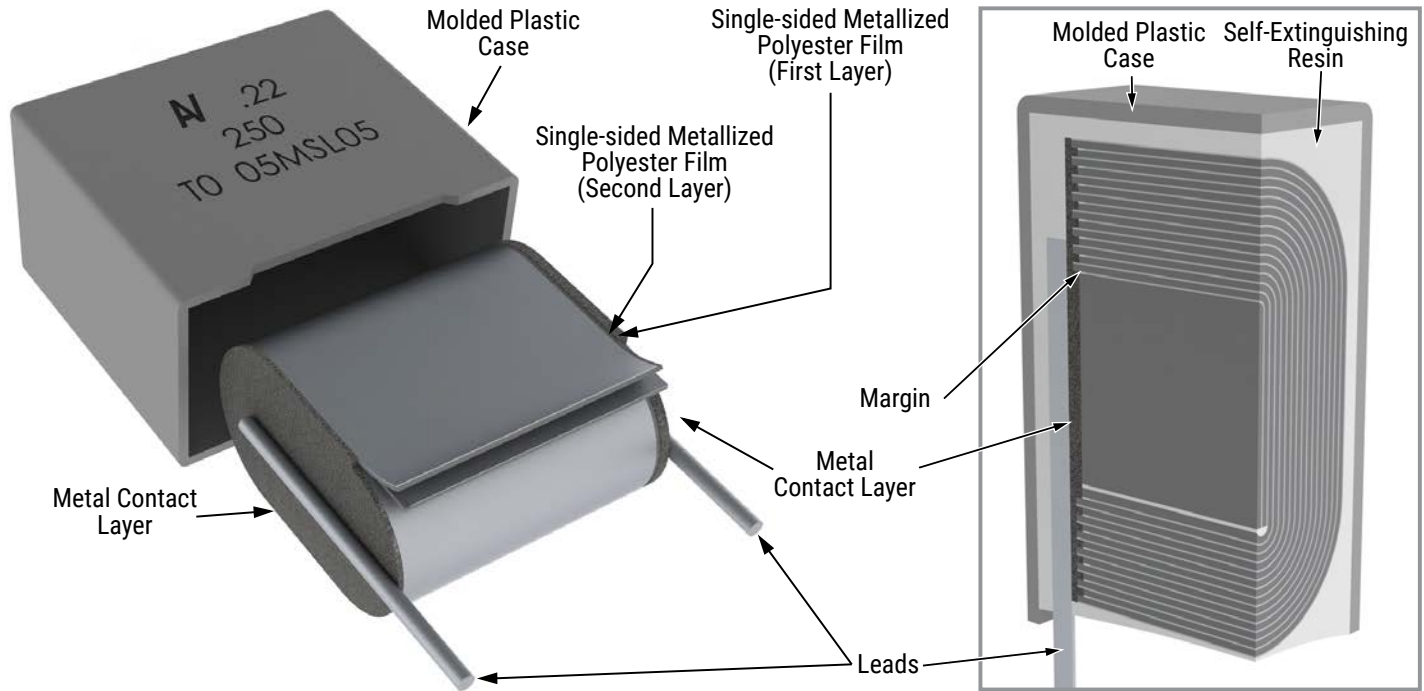
Selective Soldering Recommendations

Selective dip soldering is a variation of reflow soldering. In this method, the printed circuit board with through-hole components to be soldered is preheated and transported over the solder bath as in normal flow soldering without touching the solder. When the board is over the bath, it is stopped and pre-designed solder pots are lifted from the bath with molten solder only at the places of the selected components, and pressed against the lower surface of the board to solder the components.

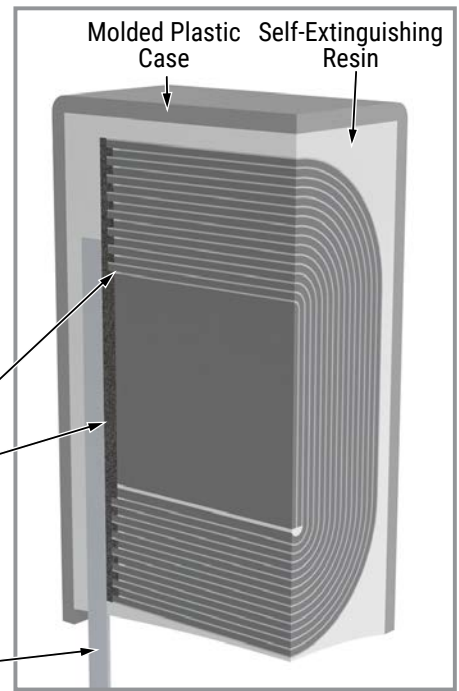
The temperature profile for selective soldering is similar to the double wave flow soldering outlined in this document, **however, instead of two baths, there is only one bath with a time from 3 to 10 seconds.** In selective soldering, the risk of overheating is greater than in double wave flow soldering, and great care must be taken so that the parts are not overheated.

Construction

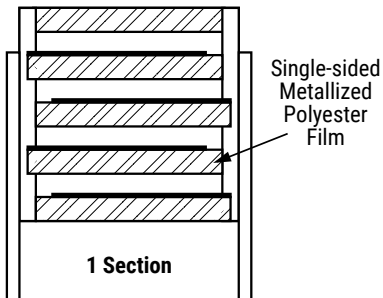
Wound



Detailed Cross Section

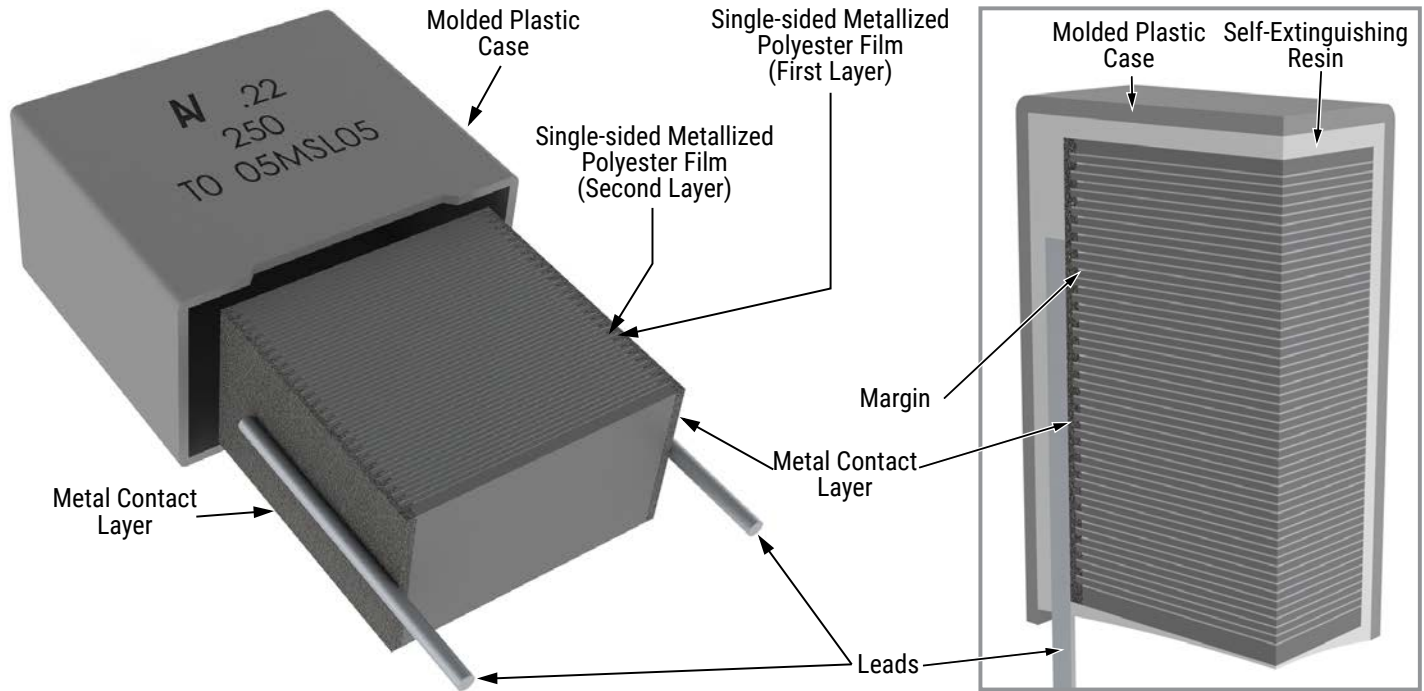


Winding Scheme

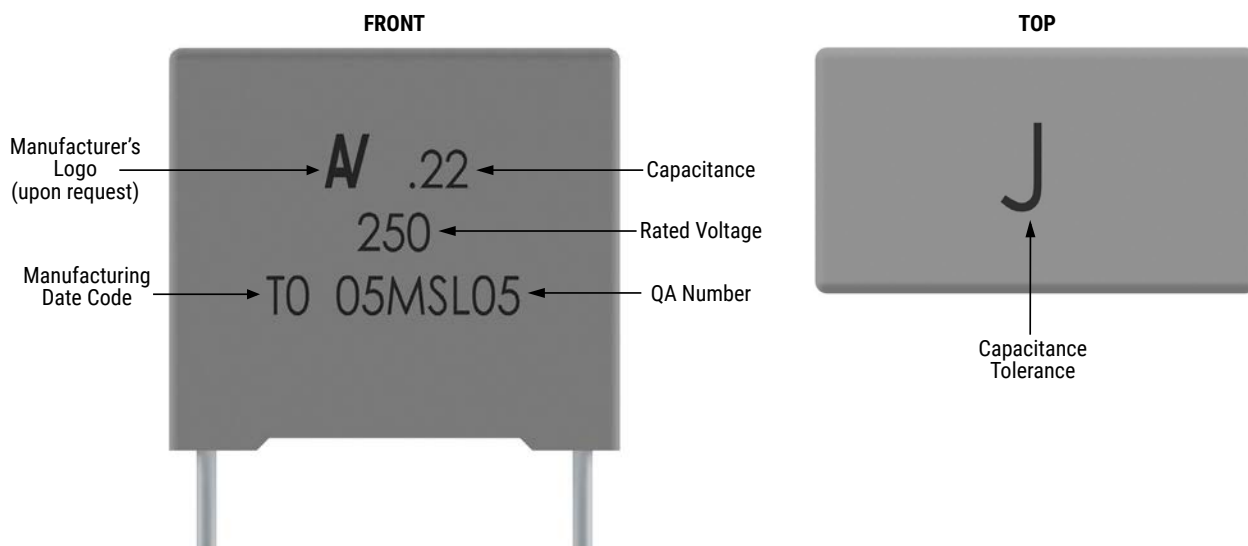


Construction cont'd

Stacked



Marking



Packaging Quantities

| Lead Spacing | Thickness (mm) | Height (mm) | Length (mm) | Bulk Short Leads | Bulk Long Leads | Standard Reel ø 355 mm | Large Reel ø 500 mm | Ammo |
|--------------|----------------|-------------|-------------|------------------|-----------------|---------------------------|------------------------|-------|
| 10 | 4.0 | 9.0 | 13.0 | 2,000 | 1,800 | 750 | 1,500 | 1,000 |
| | 5.0 | 11.0 | 13.0 | 1,300 | 1,500 | 600 | 1,250 | 800 |
| | 6.0 | 12.0 | 13.0 | 1,000 | 1,200 | 500 | 1,000 | 680 |
| 15 | 5.0 | 11.0 | 18.0 | 2,000 | 1,000 | 600 | 1,250 | 800 |
| | 6.0 | 12.0 | 18.0 | 1,750 | 900 | 500 | 1,000 | 680 |
| | 7.5 | 13.5 | 18.0 | 1,000 | 700 | 350 | 800 | 500 |
| | 8.5 | 14.5 | 18.0 | 1,000 | 500 | 300 | 700 | 440 |
| | 9.0 | 12.5 | 18.0 | 1,000 | 520 | 270 | 650 | 410 |
| | 10.0 | 16.0 | 18.0 | 750 | 500 | 300 | 600 | 380 |
| | 11.0 | 19.0 | 18.0 | 450 | 350 | - | 500 | 340 |
| | 13.0 | 12.0 | 18.0 | 750 | 490 | 200 | 480 | 280 |
| 22.5 | 6.0 | 15.0 | 26.5 | 805 | 500 | | 700 | 464 |
| | 7.0 | 16.0 | 26.5 | 700 | 500 | | 550 | 380 |
| | 8.5 | 17.0 | 26.5 | 468 | 300 | | 450 | 280 |
| | 10.0 | 18.5 | 26.5 | 396 | 300 | | 350 | 235 |
| | 11.0 | 20.0 | 26.5 | 360 | 250 | | 350 | 217 |
| | 13.0 | 22.0 | 26.5 | 300 | 200 | | 300 | - |
| 27.5 | 9.0 | 17.0 | 32.0 | 816 | 408 | | 450 | |
| | 11.0 | 20.0 | 32.0 | 560 | 336 | | 350 | |
| | 13.0 | 22.0 | 32.0 | 480 | 288 | | 300 | |
| | 14.0 | 28.0 | 32.0 | 352 | 176 | | | |
| | 18.0 | 33.0 | 32.0 | 256 | 128 | | | |
| | 22.0 | 37.0 | 32.0 | 168 | 112 | | | |
| 37.5 | 11.0 | 22.0 | 41.5 | 420 | 252 | | | |
| | 13.0 | 24.0 | 41.5 | 360 | 216 | | | |
| | 16.0 | 28.5 | 41.5 | 216 | 108 | | | |
| | 19.0 | 32.0 | 41.5 | 192 | 96 | | | |
| | 20.0 | 40.0 | 41.5 | 126 | 84 | | | |
| | 24.0 | 44.0 | 41.5 | 108 | 72 | | | |
| | 30.0 | 45.0 | 41.5 | 90 | 60 | | | |

Lead Taping & Packaging (IEC 60286-2)

Figure 1 – Lead Space 10 mm

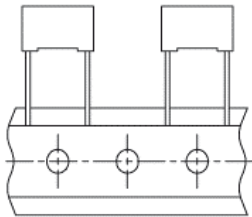


Figure 2 – Lead Spacing 15 mm

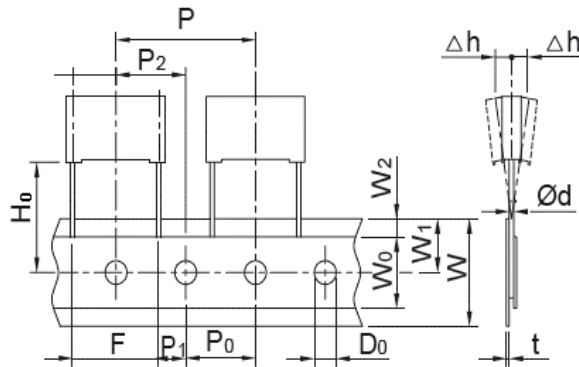
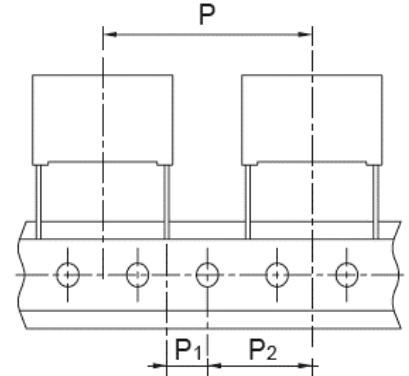


Figure 3 – Lead Spacing 22.5 & 27.5 mm



| Description | Symbol | Dimensions (mm) | | | | Tolerance |
|--------------------------------------|---------------------|------------------|------------------|------------------|------------------|-----------|
| | | Lead Space | | | | |
| | | 10.0 Figure 1 | 15.0 Figure 2 | 22.5 Figure 3 | 27.5 Figure 3 | |
| Lead wire diameter | d | 0.6 | 0.6 – 0.8 | 0.8 | 0.8 | ±0.05 |
| Taping lead space | P | 25.4 | 25.4 | 38.1 | 38.1 | ±1 |
| Feed hole lead space* | P ₀ | 12.7 | 12.7 | 12.7 | 12.7 | ±0.2 ** |
| Centering of the lead wire | P ₁ | 7.7 | 5.2 | 7.8 | 5.3 | ±0.7 |
| Centering of the body | P ₂ | 12.7 | 12.7 | 19.05 | 19.05 | ±1.3 |
| Lead spacing*** | F | 10.0 | 15.0 | 22.5 | 27.5 | +0.6/-0.1 |
| Component alignment | Δh | 0 | 0 | 0 | 0 | ±2 |
| Height of component from tape center | H ₀ **** | 18.5 | 18.5 | 18.5 | 18.5 | ±0.5 |
| Carrier tape width | W | 18 | 18 | 18 | 18 | +1/-0.5 |
| Hold down tape width | W ₀ | 9 | 10 | 10 | 10 | Minimum |
| Hole position | W ₁ | 9 | 9 | 9 | 9 | ±0.5 |
| Hold down tape position | W ₂ | 3 | 3 | 3 | 3 | Maximum |
| Feed hole diameter | D ₀ | 4 | 4 | 4 | 4 | ±0.2 |
| Tape thickness | t | 0.7 | 0.7 | 0.7 | 0.7 | ±0.2 |

* Available also 15 mm.

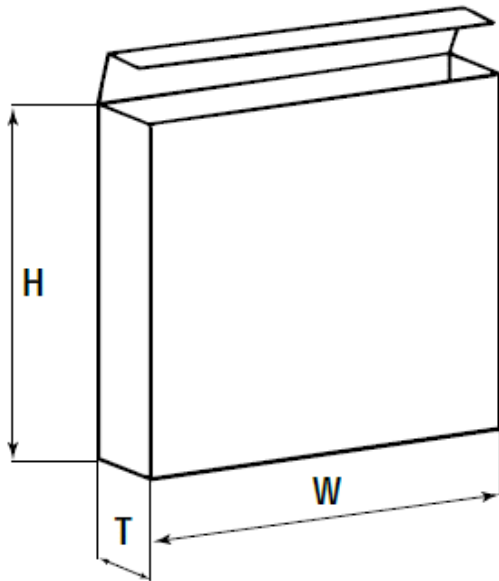
** Maximum 1 mm on 20 lead spaces.

*** Lead Spacing 15mm and 10mm taped to 7.5 mm (crimped leads) available upon request.

**** H = 16.5 mm is available upon request.

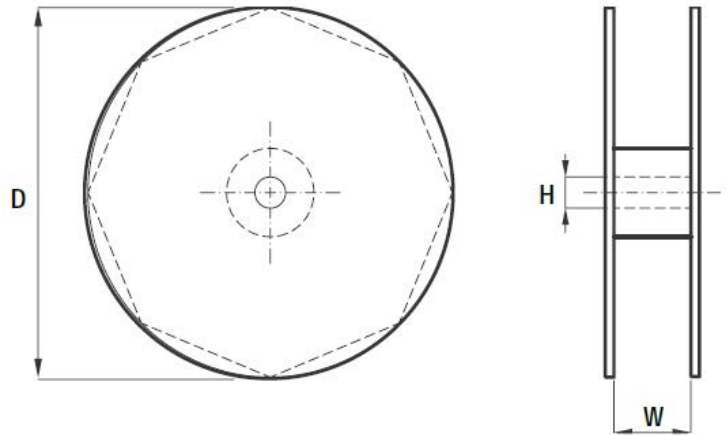
Ammo Specifications

| Dimensions in mm | | |
|------------------|-----|----|
| H | W | T |
| 360 | 340 | 59 |



Reel Specifications

| Dimensions in mm | | |
|------------------|----|------------|
| D | H | W |
| 355 | 30 | 55 maximum |
| 500 | 25 | |



KEMET Electronic Corporation Sales Offices

For a complete list of our global sales offices, please visit www.kemet.com/sales.

Disclaimer

All product specifications, statements, information and data (collectively, the "Information") in this datasheet are subject to change. The customer is responsible for checking and verifying the extent to which the Information contained in this publication is applicable to an order at the time the order is placed.

All Information given herein is believed to be accurate and reliable, but it is presented without guarantee, warranty, or responsibility of any kind, expressed or implied.

Statements of suitability for certain applications are based on KEMET Electronics Corporation's ("KEMET") knowledge of typical operating conditions for such applications, but are not intended to constitute – and KEMET specifically disclaims – any warranty concerning suitability for a specific customer application or use. The Information is intended for use only by customers who have the requisite experience and capability to determine the correct products for their application. Any technical advice inferred from this Information or otherwise provided by KEMET with reference to the use of KEMET's products is given gratis, and KEMET assumes no obligation or liability for the advice given or results obtained.

Although KEMET designs and manufactures its products to the most stringent quality and safety standards, given the current state of the art, isolated component failures may still occur. Accordingly, customer applications which require a high degree of reliability or safety should employ suitable designs or other safeguards (such as installation of protective circuitry or redundancies) in order to ensure that the failure of an electrical component does not result in a risk of personal injury or property damage.

Although all product-related warnings, cautions and notes must be observed, the customer should not assume that all safety measures are indicated or that other measures may not be required.

KEMET is a registered trademark of KEMET Electronics Corporation.