

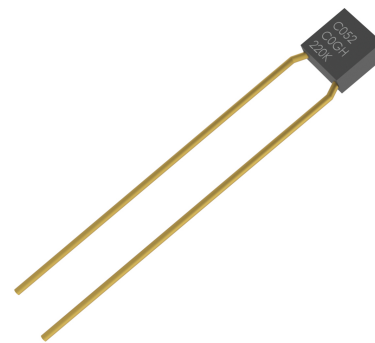
High Temperature 200°C, Radial, Molded, COG Dielectric, 50 – 200 VDC (Industrial Grade)

Overview

KEMET's High Temperature 200°C epoxy molded radial through-hole ceramic capacitors in COG dielectric features a robust and proprietary base metal dielectric system that offers industry-leading performance in extreme high pressure and high temperature environments up to 200°C. These capacitors are designed specifically to withstand the severe shock and vibration conditions associated with deep-well and horizontal drilling activities and are well suited for use in aerospace engine compartments, geophysical probes, hybrid and electric automotive motor drives and defense applications.

As high temperature electronic module complexity increases, the size reduction of components becomes more and more critical. These devices are significantly smaller by volume than most competitor radial molded capacitors, allowing for downsizing and replacement opportunities of larger high temperature precious metal electrode (PME) and base metal electrode (BME) dielectric system devices. They feature gold-plated lead wires for temperature resistance and an epoxy molded case for environmental protection and mechanical durability.

With virtually no capacitance change at 200°C and rated voltage applied, these radial molded capacitors in COG dielectric are temperature compensating and are suited for resonant circuit applications or those where Q and stability of capacitance characteristics are required. They exhibit no change in capacitance with respect to time and voltage and boast a negligible change in capacitance with reference to ambient temperature. Capacitance change is limited to $\pm 30\text{ppm}/^\circ\text{C}$ from -55°C to $+200^\circ\text{C}$. In addition, these capacitors exhibit high insulation resistance with low dissipation factor at elevated temperatures up to 200°C, as well as low ESR at high frequencies.



Ordering Information

| C | 052 | H | 272 | F | 2 | G | 5 | G | A | 7301 |
|---------|------------|---------------------------|--|--|------------------------------|------------|-------------------|--------------------------|--------------|---|
| Ceramic | Style/Size | Specification/Series | Capacitance Code (pF) | Capacitance Tolerance ¹ | Rated Voltage (VDC) | Dielectric | Design | Lead Finish ² | Failure Rate | Packaging C-Spec ³ |
| | 052 062 | H = High Temp 200°C | Two significant digits and number of zeros Use 9 for 1.0 – 9.9 pF ex. 2.2 pF = 229 | B = ± 0.1 pF C = ± 0.25 pF D = ± 0.5 pF F = $\pm 1\%$ G = $\pm 2\%$ J = $\pm 5\%$ K = $\pm 10\%$ | 5 = 50 1 = 100 2 = 200 | G = COG | 5 = Multilayer | G = Gold (Au) | A = N/A | Blank = Bulk Bag T250 = 250 pcs/ 12" Reel T500 = 500 pcs/ 12" Reel T1K0 = 1,000 pcs/ 12" Reel 7301 = Full Reel Qty/ 12" Reel 7303 = Full Reel Qty/ 12" Reel 7061 = Bulk Tray |

¹ Additional capacitance tolerance offerings may be available. Contact KEMET for details.

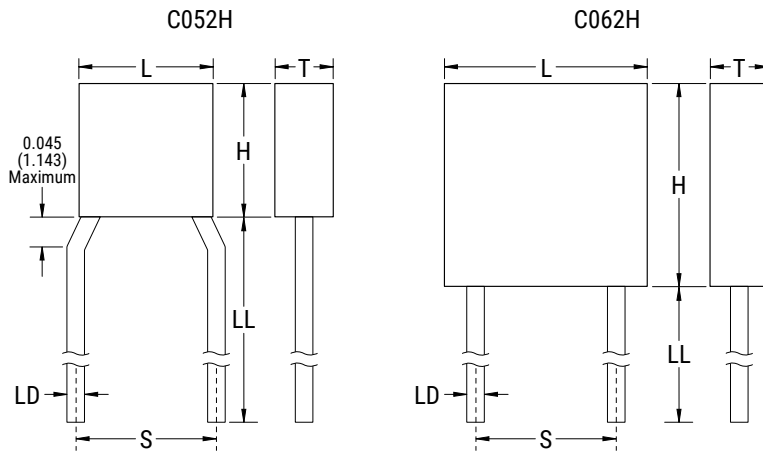
² Wire lead materials and finishes: Alternative lead materials and finishes may be available. Contact KEMET for details.

³ Default packaging for this product series is "Bulk Bag". KEMET will assume "Bulk Bag" packaging is required when the 15th thru 18th character positions are left blank.

³ C-Spec 7301 can only be used when ordering 052 style/size.

³ C-Spec 7303 can only be used when ordering 062 style/size.

Dimensions – Inches (Millimeters)



| Series | S Lead Spacing | L Length | H Height | T Thickness | LD Lead Diameter | LL Lead Length Minimum |
|--------|---------------------------|--------------------------|--------------------------|--------------------------|--|------------------------------|
| C052H | 0.20±0.015 (5.08±0.38) | 0.19±0.01 (4.83±0.25) | 0.19±0.01 (4.83±0.25) | 0.09±0.01 (2.29±0.25) | 0.025+0.004/-0.002 (0.635+0.102/-0.051) | 1.25 (31.75) |
| C062H | | 0.29±0.01 (7.37±0.25) | 0.29±0.01 (7.37±0.25) | 0.09±0.01 (2.29±0.25) | | |

Benefits

- Operating temperature range of -55°C to +200°C
- High shock and vibration capability
- Base Metal Electrode (BME) dielectric system
- RoHS and REACH compliant
- Radial through-hole form factor
- Gold (Au) plated wire lead finish
- Military designation styles CK/CKR05 and CK/CKR06
- Molded case
- High breakdown voltage strength
- DC voltage ratings of 50 V, 100 V and 200 V
- Capacitance offerings ranging from 1.0 pF up to 0.22 µF
- Available capacitance tolerances of ±0.1 pF, ±0.25 pF, ±0.5 pF, ±1%, ±2%, ±5%, and ±10%
- Extremely low ESR and ESL
- High thermal stability
- High ripple current capability
- No capacitance change with respect to applied rated DC voltage
- Negligible capacitance change with respect to temperature from -55°C to +200°C
- No capacitance decay with time
- Non-polar device, minimizing installation concerns
- Encapsulation meets flammability standard UL 94V-0
- Halogen-free

Applications

Typical applications include critical timing, tuning, circuits requiring low loss, circuits with pulse, high current, decoupling, bypass, filtering, transient voltage suppression, blocking and energy storage, circuits with a direct battery or power source connection, critical and safety relevant circuits without (integrated) current limitation and any application that is subject to extreme environments such as high shock and vibration, high temperature, high levels of board flexure and/or temperature cycling. Programs supported include down-hole exploration, aerospace engine compartments, geophysical probes, hybrid and electric automotive motor drives and defense. Markets include military, industrial, aerospace, and automotive.

Qualification

These devices are subject to internal qualification. Details regarding test methods and conditions are referenced in Table 2, Performance & Reliability.

Environmental Compliance

RoHS compliant and halogen-free. These devices utilize exemption 7(a) of the RoHS directive.

| Series | RoHS Compliant | RoHS Exemption Code ¹ | Halogen Free |
|--------|----------------|----------------------------------|--------------|
| C052H | Yes | 7(a) | Yes |
| C062H | Yes | 7(a) | Yes |

¹ 7(a): Lead in high melting temperature type solders

Electrical Parameters/Characteristics

| Item | Parameters/Characteristics |
|--|---|
| Operating Temperature Range | -55°C to +200°C |
| Capacitance Change with Reference to +25°C and 0 VDC Applied (TCC) | ±30 ppm/°C |
| Aging Rate (Maximum % Cap Loss/Decade Hour) | 0% |
| Dielectric Withstanding Voltage | 250% of rated voltage (5±1 seconds and charge/discharge not exceeding 50 mA at 25°C) |
| Dissipation Factor (DF) Maximum Limit at 25°C | 0.1% |
| Insulation Resistance (IR) Limit at 25°C | 1,000 MΩ microfarads or 100 GΩ (Rated voltage applied for 120±5 seconds) |

To obtain IR limit, divide MΩ-μF value by the capacitance and compare to GΩ limit. Select the lower of the two limits.

Capacitance and dissipation factor (DF) measured under the following conditions:

1 MHz ±100 kHz and 1.0 V_{rms} ±0.2 V if capacitance ≤ 1,000 pF

1 kHz ±50Hz and 1.0 V_{rms} ±0.2 V if capacitance > 1,000 pF

Note: When measuring capacitance it is important to ensure the set voltage level is held constant. The HP4284 and Agilent E4980 have a feature known as Automatic Level Control (ALC). The ALC feature should be switched to "ON."

Post Environmental Limits

| High Temperature Life, Biased Humidity, Moisture Resistance | | | | | |
|---|------------------|-------------------|--------|-------------------|----------------------|
| Dielectric | Rated DC Voltage | Capacitance Value | DF (%) | Capacitance Shift | IR |
| COG | All | All | 0.5 | 0.3% or ±0.25 pF | 10% of Initial Limit |

Table 1A – C052 Style/Size (0.20" Lead Spacing), Capacitance Range Waterfall

| C052 Style/Size (0.20" Lead Spacing) | | | | | |
|--------------------------------------|---|---|---------------------|---------------------|---------------------|
| Rated Voltage (VDC) | | 50 | 100 | 200 | |
| Voltage Code | | 5 | 1 | 2 | |
| Capacitance | Capacitance Tolerance | Capacitance Code (Available Capacitance) | | | |
| 1 pF | B = ±0.1pF C = ±0.25pF D = ±0.5pF | C052H109(1)5G5GA(3) | C052H109(1)1G5GA(3) | C052H109(1)2G5GA(3) | |
| 1.2 pF | | C052H129(1)5G5GA(3) | C052H129(1)1G5GA(3) | C052H129(1)2G5GA(3) | |
| 1.5 pF | | C052H159(1)5G5GA(3) | C052H159(1)1G5GA(3) | C052H159(1)2G5GA(3) | |
| 1.8 pF | | C052H189(1)5G5GA(3) | C052H189(1)1G5GA(3) | C052H189(1)2G5GA(3) | |
| 2.2 pF | | C052H229(1)5G5GA(3) | C052H229(1)1G5GA(3) | C052H229(1)2G5GA(3) | |
| 2.7 pF | | C052H279(1)5G5GA(3) | C052H279(1)1G5GA(3) | C052H279(1)2G5GA(3) | |
| 3.3 pF | | C052H339(1)5G5GA(3) | C052H339(1)1G5GA(3) | C052H339(1)2G5GA(3) | |
| 3.9 pF | | C052H399(1)5G5GA(3) | C052H399(1)1G5GA(3) | C052H399(1)2G5GA(3) | |
| 4.7 pF | | C052H479(1)5G5GA(3) | C052H479(1)1G5GA(3) | C052H479(1)2G5GA(3) | |
| 5.6 pF | | C052H569(1)5G5GA(3) | C052H569(1)1G5GA(3) | C052H569(1)2G5GA(3) | |
| 6.8 pF | | C052H689(1)5G5GA(3) | C052H689(1)1G5GA(3) | C052H689(1)2G5GA(3) | |
| 8.2 pF | | C052H829(1)5G5GA(3) | C052H829(1)1G5GA(3) | C052H829(1)2G5GA(3) | |
| 10 pF | | F = ±1% G = ±2% J = ±5% K = ±10% | C052H100(2)5G5GA(3) | C052H100(2)1G5GA(3) | C052H100(2)2G5GA(3) |
| 12 pF | | | C052H120(2)5G5GA(3) | C052H120(2)1G5GA(3) | C052H120(2)2G5GA(3) |
| 15 pF | | | C052H150(2)5G5GA(3) | C052H150(2)1G5GA(3) | C052H150(2)2G5GA(3) |
| 18 pF | C052H180(2)5G5GA(3) | | C052H180(2)1G5GA(3) | C052H180(2)2G5GA(3) | |
| 22 pF | C052H220(2)5G5GA(3) | | C052H220(2)1G5GA(3) | C052H220(2)2G5GA(3) | |
| 27 pF | C052H270(2)5G5GA(3) | | C052H270(2)1G5GA(3) | C052H270(2)2G5GA(3) | |
| 33 pF | C052H330(2)5G5GA(3) | | C052H330(2)1G5GA(3) | C052H330(2)2G5GA(3) | |
| 39 pF | C052H390(2)5G5GA(3) | | C052H390(2)1G5GA(3) | C052H390(2)2G5GA(3) | |
| 47 pF | C052H470(2)5G5GA(3) | | C052H470(2)1G5GA(3) | C052H470(2)2G5GA(3) | |
| 56 pF | C052H560(2)5G5GA(3) | | C052H560(2)1G5GA(3) | C052H560(2)2G5GA(3) | |
| 68 pF | C052H680(2)5G5GA(3) | | C052H680(2)1G5GA(3) | C052H680(2)2G5GA(3) | |
| 82 pF | C052H820(2)5G5GA(3) | | C052H820(2)1G5GA(3) | C052H820(2)2G5GA(3) | |
| 100 pF | C052H101(2)5G5GA(3) | | C052H101(2)1G5GA(3) | C052H101(2)2G5GA(3) | |
| 120 pF | C052H121(2)5G5GA(3) | | C052H121(2)1G5GA(3) | C052H121(2)2G5GA(3) | |
| 150 pF | C052H151(2)5G5GA(3) | | C052H151(2)1G5GA(3) | C052H151(2)2G5GA(3) | |
| 180 pF | C052H181(2)5G5GA(3) | C052H181(2)1G5GA(3) | C052H181(2)2G5GA(3) | | |
| 220 pF | C052H221(2)5G5GA(3) | C052H221(2)1G5GA(3) | C052H221(2)2G5GA(3) | | |
| 270 pF | C052H271(2)5G5GA(3) | C052H271(2)1G5GA(3) | C052H271(2)2G5GA(3) | | |
| 330 pF | C052H331(2)5G5GA(3) | C052H331(2)1G5GA(3) | C052H331(2)2G5GA(3) | | |
| 390 pF | C052H391(2)5G5GA(3) | C052H391(2)1G5GA(3) | C052H391(2)2G5GA(3) | | |
| 470 pF | C052H471(2)5G5GA(3) | C052H471(2)1G5GA(3) | C052H471(2)2G5GA(3) | | |
| 560 pF | C052H561(2)5G5GA(3) | C052H561(2)1G5GA(3) | C052H561(2)2G5GA(3) | | |
| 680 pF | C052H681(2)5G5GA(3) | C052H681(2)1G5GA(3) | C052H681(2)2G5GA(3) | | |
| 820 pF | C052H821(2)5G5GA(3) | C052H821(2)1G5GA(3) | C052H821(2)2G5GA(3) | | |
| 1,000 pF | C052H102(2)5G5GA(3) | C052H102(2)1G5GA(3) | C052H102(2)2G5GA(3) | | |
| 1,200 pF | C052H122(2)5G5GA(3) | C052H122(2)1G5GA(3) | C052H122(2)2G5GA(3) | | |
| 1,500 pF | C052H152(2)5G5GA(3) | C052H152(2)1G5GA(3) | C052H152(2)2G5GA(3) | | |
| 1,800 pF | C052H182(2)5G5GA(3) | C052H182(2)1G5GA(3) | C052H182(2)2G5GA(3) | | |
| 2,200 pF | C052H222(2)5G5GA(3) | C052H222(2)1G5GA(3) | C052H222(2)2G5GA(3) | | |
| Rated Voltage (VDC) | | 50 | 100 | 200 | |
| Voltage Code | | 5 | 1 | 2 | |

(1) (2) To complete ordering code, insert the proper character for capacitance tolerance: (See table above for character definitions)

(1) Available capacitance tolerances: B, C, D

(2) Available capacitance tolerances: F, G, J, K

(3) To complete ordering code, enter the four-digit numeric or alphanumeric "Packaging C-Spec Ordering Code." See details below:

Blank = Bulk Bag

T250 = 250 pcs / 12" Reel

T500 = 500 pcs / 12" Reel

T1K0 = 1,000 pcs / 12" reel

7301 = Full Reel Qty / 12" reel

7303 = Full Reel Qty / 12" reel

7061 = Bulk Tray

These products are protected under U.S. Patents 7172985 and 7670981, other patents pending, and any foreign counterparts.

Table 1A – C052 Style/Size (0.20" Lead Spacing), Capacitance Range Waterfall cont'd

| C052 Style/Size (0.20" Lead Spacing) | | | | |
|--------------------------------------|---|--|---------------------|---------------------|
| Rated Voltage (VDC) | | 50 | 100 | 200 |
| Voltage Code | | 5 | 1 | 2 |
| Capacitance | Capacitance Tolerance | Capacitance Code (Available Capacitance) | | |
| 2,700 pF | F = ±1% G = ±2% J = ±5% K = ±10% | C052H272(2)5G5GA(3) | C052H272(2)1G5GA(3) | C052H272(2)2G5GA(3) |
| 3,300 pF | | C052H332(2)5G5GA(3) | C052H332(2)1G5GA(3) | C052H332(2)2G5GA(3) |
| 3,900 pF | | C052H392(2)5G5GA(3) | C052H392(2)1G5GA(3) | |
| 4,700 pF | | C052H472(2)5G5GA(3) | C052H472(2)1G5GA(3) | |
| 5,600 pF | | C052H562(2)5G5GA(3) | C052H562(2)1G5GA(3) | |
| 6,800 pF | | C052H682(2)5G5GA(3) | C052H682(2)1G5GA(3) | |
| 8,200 pF | | C052H822(2)5G5GA(3) | C052H822(2)1G5GA(3) | |
| 0.01 µF | | C052H103(2)5G5GA(3) | C052H103(2)1G5GA(3) | |
| 0.012 µF | | C052H123(2)5G5GA(3) | C052H123(2)1G5GA(3) | |
| 0.015 µF | | C052H153(2)5G5GA(3) | C052H153(2)1G5GA(3) | |
| 0.018 µF | | C052H183(2)5G5GA(3) | C052H183(2)1G5GA(3) | |
| 0.022 µF | | C052H223(2)5G5GA(3) | C052H223(2)1G5GA(3) | |
| 0.027 µF | | C052H273(2)5G5GA(3) | C052H273(2)1G5GA(3) | |
| 0.033 µF | | C052H333(2)5G5GA(3) | C052H333(2)1G5GA(3) | |
| 0.039 µF | | C052H393(2)5G5GA(3) | C052H393(2)1G5GA(3) | |
| 0.047 µF | | C052H473(2)5G5GA(3) | C052H473(2)1G5GA(3) | |
| 0.056 µF | | C052H563(2)5G5GA(3) | | |
| 0.068 µF | | C052H683(2)5G5GA(3) | | |
| 0.082 µF | | C052H823(2)5G5GA(3) | | |
| 0.1 µF | | C052H104(2)5G5GA(3) | | |
| Rated Voltage (VDC) | | 50 | 100 | 200 |
| Voltage Code | | 5 | 1 | 2 |

(1) (2) To complete ordering code, insert the proper character for capacitance tolerance: (See table above for character definitions)

(1) Available capacitance tolerances: B, C, D

(2) Available capacitance tolerances: F, G, J, K

(3) To complete ordering code, enter the four-digit numeric or alphanumeric "Packaging C-Spec Ordering Code." See details below:

Blank = Bulk Bag

T250 = 250 pcs / 12" Reel

T500 = 500 pcs / 12" Reel

T1K0 = 1,000 pcs / 12" reel

7301 = Full Reel Qty / 12" reel

7303 = Full Reel Qty / 12" reel

7061 = Bulk Tray

These products are protected under U.S. Patents 7172985 and 7670981, other patents pending, and any foreign counterparts.

Table 1B – C062 Style/Size (0.20" Lead Spacing), Capacitance Range Waterfall

| C062 Style/Size (0.20" Lead Spacing) | | | | |
|--------------------------------------|---|--|---------------------|---------------------|
| Rated Voltage (VDC) | | 50 | 100 | 200 |
| Voltage Code | | 5 | 1 | 2 |
| Capacitance | Capacitance Tolerance | Capacitance Code (Available Capacitance) | | |
| 4,700 pF | F = ±1% G = ±2% J = ±5% K = ±10% | | | C062H472(1)2G5GA(2) |
| 5,600 pF | | | | C062H562(1)2G5GA(2) |
| 6,800 pF | | | | C062H682(1)2G5GA(2) |
| 0.056 µF | | | C062H563(1)1G5GA(2) | |
| 0.068 µF | | | C062H683(1)1G5GA(2) | |
| 0.082 µF | | | C062H823(1)1G5GA(2) | |
| 0.1 µF | | | C062H104(1)1G5GA(2) | |
| 0.12 µF | | | C062H124(1)1G5GA(2) | |
| 0.15 µF | | | C062H124(1)5G5GA(2) | |
| 0.18 µF | | | C062H154(1)5G5GA(2) | |
| 0.22 µF | | C062H184(1)5G5GA(2) | | |
| | | C062H224(1)5G5GA(2) | | |
| Rated Voltage (VDC) | | 50 | 100 | 200 |
| Voltage Code | | 5 | 1 | 2 |

- (1) To complete ordering code, insert the proper character for capacitance tolerance: (See table above for character definitions)
 (1) Available capacitance tolerances: F, G, J, K
 (2) To complete ordering code, enter the four-digit numeric or alphanumeric "Packaging C-Spec Ordering Code." See details below:

- Blank = Bulk Bag
- T250 = 250 pcs / 12" Reel
- T500 = 500 pcs / 12" Reel
- T1K0 = 1,000 pcs / 12" reel
- 7301 = Full Reel Qty / 12" reel
- 7303 = Full Reel Qty / 12" reel
- 7061 = Bulk Tray

These products are protected under U.S. Patents 7172985 and 7670981, other patents pending, and any foreign counterparts.

Packaging Quantities

| Packaging Options | | Bulk Bag (default) ¹ | Bulk Tray | Tape and Reel | | | | |
|-----------------------------------|-------|-----------------------------------|-------------|---------------|------|-------|-------|-------|
| | | Packaging Quantities ³ | | | | | | |
| Ordering Code C-Spec ² | | n/a | 7061 | T250 | T500 | T1K0 | 7301 | 7303 |
| Style/ Series | C052H | 100 pcs/bag | 50 pcs/tray | 250 | 500 | 1,000 | 2,000 | n/a |
| | C062H | 100 pcs/bag | 40 pcs/tray | 250 | 500 | 1,000 | n/a | 1,500 |

¹ Default packaging for this product series is "Bulk Bag". KEMET will assume "Bulk Bag" packaging is required unless a valid C-spec is included in the 15th thru 18th character positions of the ordering code. For more information see "Ordering Information" section of this document.

^{1,2} The "Ordering Code C-Spec" is a four-digit code that follows the KEMET part number and identifies any special packaging or processing requirements. Failure to include a C-Spec when ordering will result in the default packaging option. Default packaging for this product series is "Bulk Bag".

³ Packaging quantities reported above are considered "minimum order quantities" and are mandatory.

Soldering Process

Recommended Soldering Technique:

- Solder Wave
- Hand Soldering (Manual)

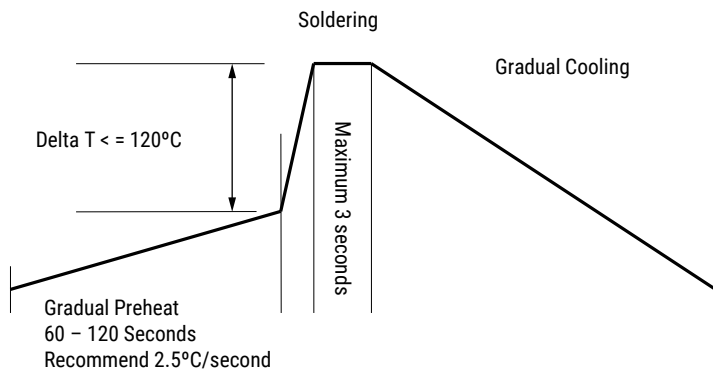
Recommended Soldering Profile:

- Optimum Wave Solder Profile



- Hand Soldering (Manual)

Manual Solder Profile with Pre-heating



KEMET recommends following the guidelines and techniques outlined in technical bulletins F2103 and F9207.

Table 2 – Performance & Reliability: Test Methods and Conditions

| Stress | Reference | Test or Inspection Method |
|------------------------------|------------------------|--|
| Solderability | J-STD-002 | Method A at 235°C, category 3 |
| Temperature Cycling | JESD22 Method JA-104 | 50 cycles (-55°C to 220°C), measurement at 24 ±4 hours after test conclusion. 30 minutes maximum dwell time at each temperature extreme. 8 minutes maximum transition time. |
| Biased Humidity | MIL-STD-202 Method 103 | Load humidity: 1,000 hours 85°C/85% RH and rated voltage. Add 100 K ohm resistor. Measurement at 24 hours ±4 hours after test conclusion. |
| | | Low volt humidity: 1,000 hours 85°C/85% RH and 1.5 V. Add 100 K ohm resistor. Measurement at 24 hours ±4 hours after test conclusion. |
| Immersion | MIL-STD-202 Method 104 | Test condition B |
| Storage Life | MIL-STD-202 Method 108 | Unpowered 1,000 hours at 200°C. Measurement at 24 hours ±4 hours after test conclusion. IR Measurement at 150°C |
| High Temperature Life | MIL-STD-202 Method 108 | 1,000 hours at 200°C with rated voltage applied. |
| High Temperature Lead Pull | KEMET Defined Test | Peel to Failure (25°C and 200°C): 4 lbs (1.84 kg) minimum |
| Vibration | MIL-STD-202 Method 204 | 5g for 20 minutes, 12 cycles each of 3 orientations. Note: Use 8" X 5" PCB. 031" thick 7 secure points on one long side and 2 secure points at corners of opposite sides. Parts mounted within 2" from any secure point. Test from 10 – 2000 Hz. |
| Resistance to Soldering Heat | MIL-STD-202 Method 210 | Test Condition B, Solder dip. Note: no preheat of samples. |
| Terminal Strength | MIL-STD-202 Method 211 | Test Condition A. 454g 5 – 10 s; Bend test @ 227g, 3 bends |
| Mechanical Shock | MIL-STD-202 Method 213 | Test Condition D. Figure 1 of Method 213. |
| Resistance to Solvents | MIL-STD-202 Method 215 | Add aqueous wash chemical – OKEM Clean or equivalent. |

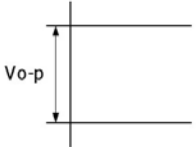
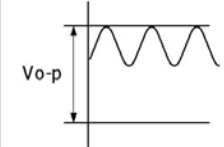
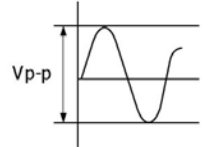
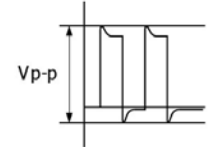
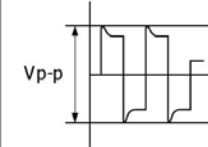
Storage & Handling

The un-mounted storage life of a through-hole (leaded) ceramic capacitor is dependent upon storage and atmospheric conditions as well as packaging materials. While the ceramic chips enveloped under the epoxy coating themselves are quite robust in most environments, solderability of the wire lead on the final epoxy-coated product will be degraded by exposure to high temperatures, high humidity, corrosive atmospheres, and long term storage. In addition, packaging materials will be degraded by high temperature and exposure to direct sunlight—reels may soften or warp, and tape peel force may increase. KEMET recommends storing the un-mounted capacitors in their original packaging, in a location away from direct sunlight, and where the temperature and relative humidity do not exceed 40 degrees centigrade and 70% respectively. For optimum solderability, capacitor stock should be used promptly, preferably within 18 months of receipt. For applications requiring pre-tinning of components, storage life may be extended if solderability is verified. Before cleaning, bonding or molding these devices, it is important to verify that your process does not affect product quality and performance. KEMET recommends testing and evaluating the performance of a cleaned, bonded or molded product prior to implementing and/or qualifying any of these processes.

Application Notes

Working Voltage:

Application voltage (V_{p-p} or V_{o-p}) must not exceed the voltage rating of the capacitor. Irregular voltages can be generated for a transient period of time when voltage is initially applied and/or removed from a circuit. It is important to choose a capacitor with a voltage rating greater than or equal to these irregular voltages.

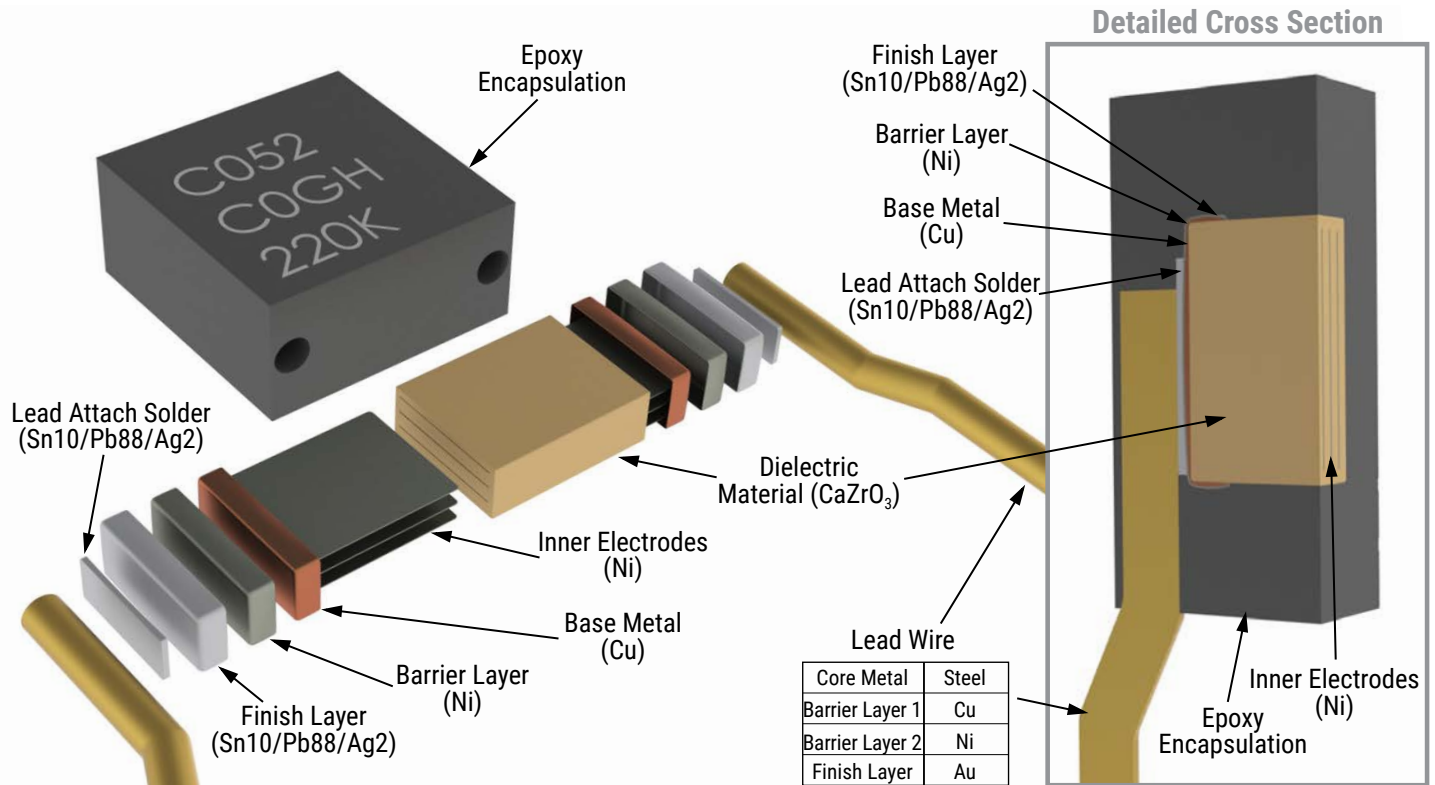
| Voltage | DC Voltage | DC+AC Voltage | AC Voltage | Pulse Voltage (1) | Pulse Voltage (2) |
|------------------------|---|---|---|---|---|
| Positional Measurement |  |  |  |  |  |

Operating Temperature and Self-Generating Heat:

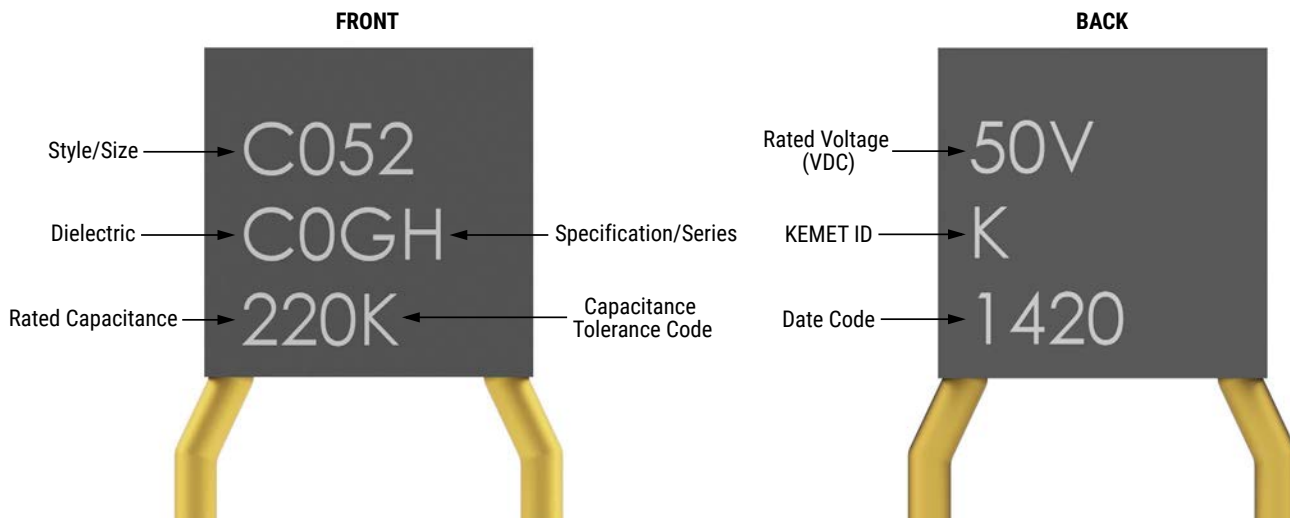
The surface temperature of a capacitor should be kept below the upper limit of its rated operating temperature range. Be sure to take into account the heat generated by the capacitor itself. When the capacitor is used in a high-frequency current, pulse current or similar current, it may self-generate heat due to dielectric loss. Temperature rise due to self-generated heating should not exceed 20°C (while operated at an atmosphere temperature of 25°C).

FAILURE TO FOLLOW THE ABOVE CAUTIONS MAY RESULT, WORST CASE, IN A SHORT CIRCUIT AND CAUSE FUMING OR PARTIAL DISPERSION WHEN THE PRODUCT IS USED.

Construction



Marking



| Date Code | |
|----------------------------------|--|
| 14 | 20 |
| Manufacturing Year: 14 = 2014 | Manufacturing Week: 20 = Week 20 (of mfg. calendar year) |

Lead Tape & Reel Packaging Information

KEMET offers standard reeling of Molded Radial Leaded Capacitors in accordance with EIA standard 468. Parts are taped to a tag board carrier strip, and wound on a reel as shown in Figure 1. Kraft paper interleaving is inserted between the layers of capacitors on the reel.

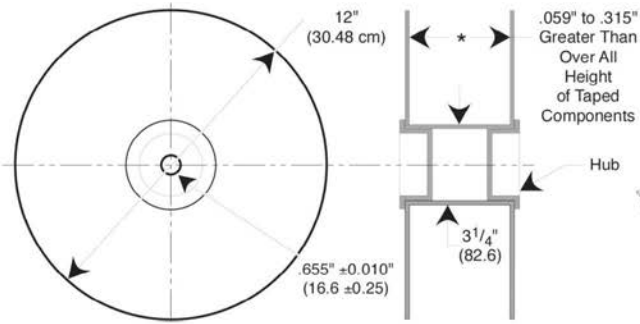


Figure 3: Standard Reel

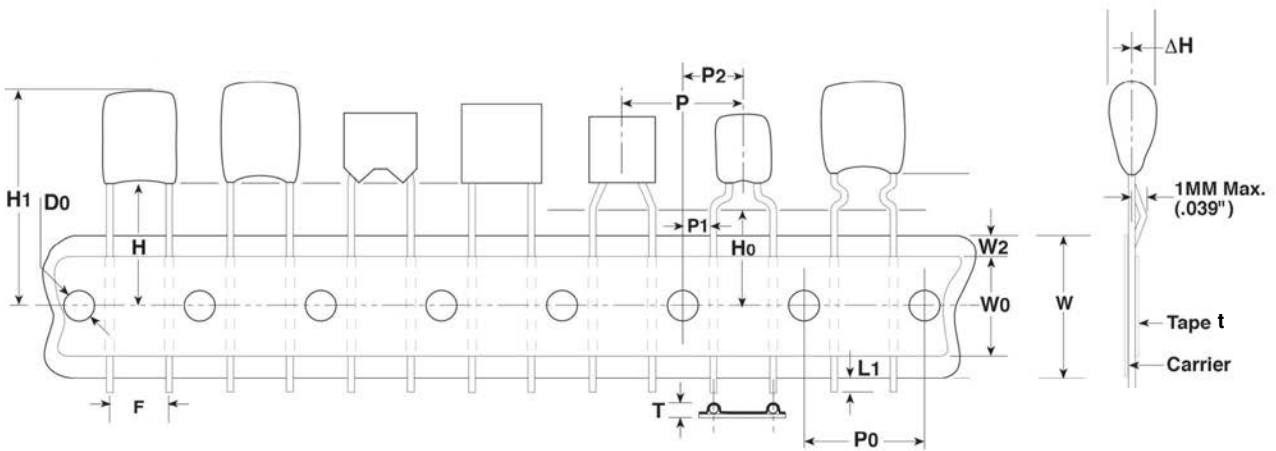
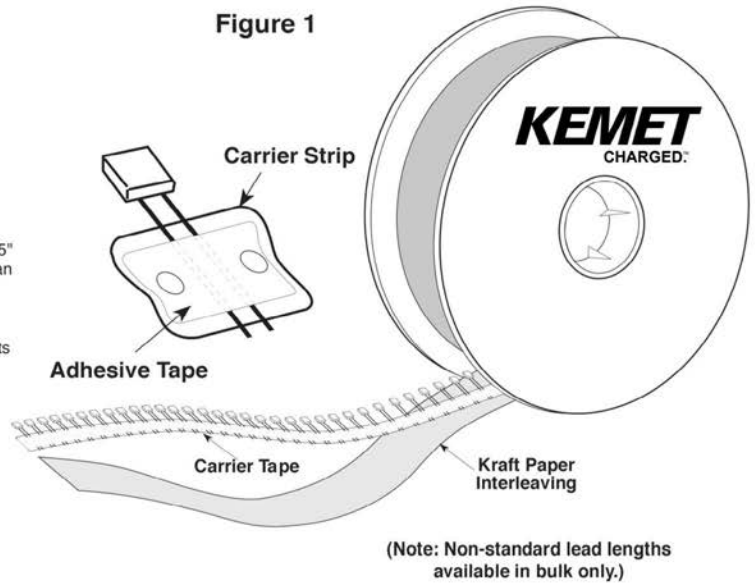


Table 3 – Ceramic Radial Tape and Reel Dimensions

Metric will govern

| Constant Dimensions – Millimeters (Inches) | | | | | | | | | | |
|--|-----------------------|-------------------|-----------------------|-----------------------|------------------|--------------|--------------|------------------------------------|------------------|------------------|
| D_0 ±0.2 (0.008) | P_0 ±0.3 (0.012) | P ±0.3 (0.012) | P_2 ±0.7 (0.028) | ΔH Maximum | L_1 Maximum | t Maximum | T Maximum | W + 1.0/-0.5 (+0.039/-0.020) | W_0 Minimum | W_2 Maximum |
| 4.00 (0.157) | 12.7 (0.500) | 12.7 (0.500) | 6.35 (0.250) | 1.0 (0.039) | 1.0 (0.039) | 0.9 (0.035) | 2.0 (0.079) | 18.0 (0.709) | 5.0 (0.197) | 3.0 (0.118) |

| Variable Dimensions – Millimeters (Inches) | | | |
|---|---------------------------------|------------------------|---------------------------------|
| F +0.6 (0.024) -0.2 (0.008) Note 1 | P_1 ±0.7 (0.028) Note 1 | H Minimum Note 2 | H_0 ±0.5 (0.630) Note 3 |
| 2.54 (0.100) | 5.08 (0.200) | 18.0 (0.709) | 16.0 (0.024) |
| 4.32 (0.170) | 3.89 (0.153) | | |
| 5.08 (0.200) | 3.81 (0.150) | | |
| 5.59 (0.220) | 3.25 (0.128) | | |
| 6.98 (0.275) | 2.54 (0.100) | | |
| 7.62 (0.300) | 2.24 (0.088) | | |
| 9.52 (0.375) | 7.62 (0.300) | | |
| 10.16 (0.400) | 7.34 (0.290) | | |
| 12.06 (0.475) | 6.35 (0.250) | | |
| 14.60 (0.575) | 5.08 (0.200) | | |
| 17.14 (0.675) | 3.81 (0.15) | | |

| Symbol Reference Table | |
|------------------------|---|
| D_0 | Sprocket Hole Diameter |
| P_0 | Sprocket Hole Pitch |
| P | Component Pitch |
| F | Lead Spacing |
| P_1 | Sprocket Hole Center to Adjacent Component Lead |
| P_2 | Sprocket Hole Center to Component Center |
| H | Height to Seating Plane (Straight Leads Only) |
| H_0 | Height to Seating Plane (Formed Leads Only) |
| H_1 | Component Height Above Tape Center |
| ΔH | Component Alignment |
| L_1 | Lead Protrusion |
| t | Composite Tape Thickness |
| W | Carrier Tape Width |
| W_0 | Hold-Down Tape Width |
| W_2 | Hold-Down Tape Location |

1. Measured at the egress from the carrier tape, on the component side.
2. Straight Lead configuration part types only.
3. Formed (bent) lead configuration part types only.

KEMET Electronic Corporation Sales Offices

For a complete list of our global sales offices, please visit www.kemet.com/sales.

Disclaimer

All product specifications, statements, information and data (collectively, the "Information") in this datasheet are subject to change. The customer is responsible for checking and verifying the extent to which the Information contained in this publication is applicable to an order at the time the order is placed.

All Information given herein is believed to be accurate and reliable, but it is presented without guarantee, warranty, or responsibility of any kind, expressed or implied.

Statements of suitability for certain applications are based on KEMET Electronics Corporation's ("KEMET") knowledge of typical operating conditions for such applications, but are not intended to constitute – and KEMET specifically disclaims – any warranty concerning suitability for a specific customer application or use. The Information is intended for use only by customers who have the requisite experience and capability to determine the correct products for their application. Any technical advice inferred from this Information or otherwise provided by KEMET with reference to the use of KEMET's products is given gratis, and KEMET assumes no obligation or liability for the advice given or results obtained.

Although KEMET designs and manufactures its products to the most stringent quality and safety standards, given the current state of the art, isolated component failures may still occur. Accordingly, customer applications which require a high degree of reliability or safety should employ suitable designs or other safeguards (such as installation of protective circuitry or redundancies) in order to ensure that the failure of an electrical component does not result in a risk of personal injury or property damage.

Although all product-related warnings, cautions and notes must be observed, the customer should not assume that all safety measures are indicated or that other measures may not be required.

KEMET is a registered trademark of KEMET Electronics Corporation.