

Product Data Sheets

C.27/4 Series



C.27/6 Series

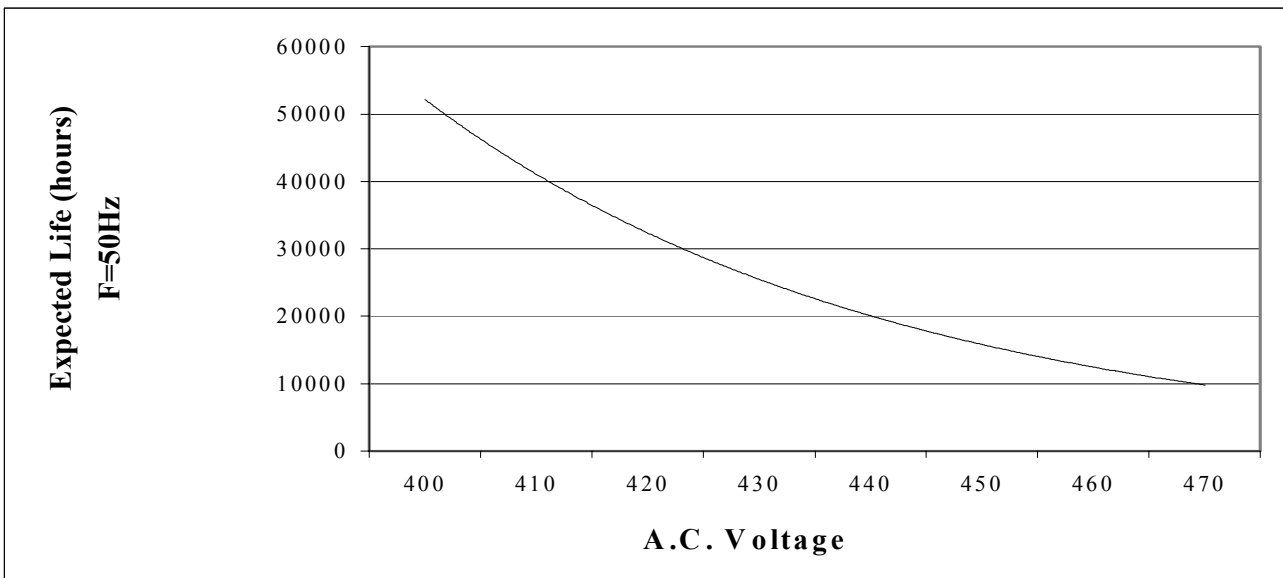
C.27/7 Series



TYPICAL APPLICATIONS: the capacitor is used in series to the start-winding of the single-phase electric motor, allowing its starting and increasing the torque during work. Main application fields: air-fans, pumps, circulators, and low power electric motors. The choice of the capacitor depends on expected life length and the mechanical connection of the user.

PRODUCT MARKING: TYPE A – EXAMPLE:

| | |
|-------------|--|
| A | 1.27.4AC1 MKP 16 μ F \pm 5 % |
| ARCOTRONICS | |
| | 420V~ 30000h/CLASS A 470V~ 10000h/CLASS B |
| 25/85/21 |   EN 60252 |
| P0 | |
| CE | 16 |



| GENERAL DATA | SIZES TABLES | FAST-ON | BIPOLAR CABLE | FLEXIBLE CABLE | STIFF UNIPOLAR CABLE | HIGH TEMPERATURE | DRAWINGS |
|--------------|--------------|-----------|---------------|----------------|----------------------|------------------|-----------|
| 13 | 14 | 27 | 29 | 33 | 34 | 35 | 57 |

General technical data:

| | |
|--|--|
| Reference standards | IEC 252: 1993 EN 60252: 1994 CEI EN 60252: 1994 |
| EN 60 252 approval | VDE Testing and Certification Institute |
| UL810 "construction only" | Approved up 500 Vac Standard Marking: 250Vac Please contact us for other types of marking |
| Type of Service: | Continuous |
| Working class: | CLASS A – 30.000 hours, 420 Volt a.c. CLASS B – 10.000 hours, 470 Volt a.c. |
| Min. / Max. Operating Temperature: | - 25 / 85 °C or - 25 / 100 °C (see page 35) |
| Storage Temperature: | - 40 / 90 °C |
| Rated voltage V_R (a.c.): | 470 Volt a.c. |
| Rated frequency (Hz): | 50 - 60 Hz |
| Voltage rise/fall time (max): | 20 Volt / μ s |
| Maximum Permissible Voltage: | 1.10 x Rated Voltage |
| Maximum Permissible Current: | 1.30 x Rated Current |
| Dissipation factor, $Tg\delta$: | 20×10^{-4} at 20°C, 50 Hz |
| Safety class: | P0 |
| Maximum Altitude: | 2000 m |
| Capacitance tolerance (standard): | $\pm 5 \%$ |
| Mounting: | Any position |
| Can: | Polypropylene with self-extinguishing features V2 (UL94). Noryl with self-extinguishing features VI (UL94) for diameters ≥ 50 mm |
| Disk: | Nylon PA66 with self-extinguishing features V0: fast-on execution. PC-A with self-extinguishing features V0: cable execution Noryl PPO with self-extinguishing features VI: for diameters ≥ 40 mm cable execution |
| Filling Resin: | Polyurethane |
| Dielectric: | Polypropylene |
| Plates: | Self-healing metal layer |
| Test voltage terminal to terminal: | 2 V_n for 2 s |
| Test voltage terminal to can: | 2.000 Volt for 2 s |
| Leakage – Clearance in air between parts under voltage: | ≥ 5 mm |
| Leakage – Clearance in air between parts under voltage and accessible metal parts: | ≥ 6 mm |
| Vibration test: | IEC 68-2-6 |
| Max Tightening torque: | 5 Nm (M8) - 10 Nm (M12) |

CASE WITH FIXING BOLT

| Rated Cap. μF | Rated Current A | Max dv/dt V/μs | FAST-ON | | | BIPOLAR CABLE | | | UNIPOLAR | | | Weight (FAST-ON) g |
|------------------|--------------------|-------------------|----------------|--------------|--------------|----------------|--------------|--------------|----------------|--------------|--------------|--------------------------|
| | | | Diameter mm | Height mm | Pack. pcs | Diameter mm | Height mm | Pack. pcs | Diameter mm | Height mm | Pack. pcs | |
| 1.0 | 0.15 | 20 | 25 | 56.5 | 162 | 25 | 57 | 99 | 25 | 55 | 99 | 26 |
| 1.5 | 0.22 | 20 | 25 | 56.5 | 162 | 25 | 57 | 99 | 25 | 55 | 99 | 26 |
| 2.0 | 0.29 | 20 | 25 | 56.5 | 162 | 25 | 57 | 99 | 25 | 55 | 99 | 26 |
| 2.5 | 0.37 | 20 | 25 | 56.5 | 162 | 25 | 57 | 99 | 25 | 55 | 99 | 26 |
| 3.0 | 0.44 | 20 | 25 | 56.5 | 162 | 25 | 57 | 99 | 25 | 55 | 99 | 26 |
| 3.5 | 0.52 | 20 | 30 | 56.5 | 110 | 30 | 57 | 68 | 30 | 55 | 68 | 38 |
| 4.0 | 0.59 | 20 | 30 | 56.5 | 110 | 30 | 57 | 68 | 30 | 55 | 68 | 38 |
| 4.5 | 0.66 | 20 | 30 | 56.5 | 110 | 30 | 57 | 68 | 30 | 55 | 68 | 38 |
| 5.0 | 0.74 | 20 | 30 | 56.5 | 110 | 30 | 57 | 68 | 30 | 55 | 68 | 38 |
| 6.0 | 0.88 | 20 | 35 | 56.5 | 86 | 35 | 57 | 52 | 35 | 55 | 52 | 52 |
| 6.3 | 0.93 | 20 | 35 | 56.5 | 86 | 35 | 57 | 52 | 35 | 55 | 52 | 52 |
| 7.0 | 1.03 | 20 | 35 | 56.5 | 86 | 35 | 57 | 52 | 35 | 55 | 52 | 52 |
| 8.0 | 1.18 | 20 | 35 | 56.5 | 86 | 35 | 57 | 52 | 35 | 55 | 52 | 52 |
| 9.0 | 1.33 | 20 | 35 | 73.5 | 86 | 35 | 71.5 | 52 | 35 | 69.5 | 52 | 68 |
| 10.0 | 1.47 | 20 | 35 | 73.5 | 86 | 35 | 71.5 | 52 | 35 | 69.5 | 52 | 68 |
| 12.0 | 1.77 | 20 | 35 | 73.5 | 86 | 35 | 71.5 | 52 | 35 | 69.5 | 52 | 68 |
| 12.5 | 1.84 | 20 | 35 | 73.5 | 86 | 35 | 71.5 | 52 | 35 | 69.5 | 52 | 68 |
| 14.0 | 2.07 | 20 | 40 | 73.5 | 60 | 40 | 71.5 | 30 | 40 | 69.5 | 30 | 88 |
| 16.0 | 2.36 | 20 | 40 | 73.5 | 60 | 40 | 71.5 | 30 | 40 | 69.5 | 30 | 88 |
| 18.0 | 2.66 | 20 | 45 | 74 | 50 | 45 | 71.5 | 30 | 45 | 69.5 | 30 | 112 |
| 20.0 | 2.95 | 20 | 45 | 74 | 50 | 45 | 71.5 | 39 | 45 | 69.5 | 39 | 112 |
| 22.0 | 3.25 | 20 | 45 | 74 | 50 | 45 | 71.5 | 39 | 45 | 69.5 | 39 | 112 |
| 25.0 | 3.69 | 20 | 45 | 94.5 | 44 | 45 | 95 | 30 | 45 | 93 | 30 | 142 |
| 30.0 | 4.43 | 20 | 45 | 94.5 | 44 | 45 | 95 | 30 | 45 | 93 | 30 | 142 |
| 31.5 | 4.65 | 20 | 45 | 94.5 | 44 | 45 | 95 | 30 | 45 | 93 | 30 | 142 |
| 35.0 | 5.16 | 20 | 50 | 96 | 40 | 50 | 96.5 | 25 | 50 | 94.5 | 25 | 178 |
| 40.0 | 5.90 | 20 | 50 | 121 | 40 | 50 | 121.5 | 25 | 50 | 119.5 | 25 | 224 |
| 45.0 | 6.64 | 20 | 50 | 121 | 40 | 50 | 121.5 | 25 | 50 | 119.5 | 25 | 224 |
| 50.0 | ⊖ 7.38 | 20 | 50 | 121 | 40 | 60 | 121.5 | 16 | 60 | 119.5 | 16 | 224 |
| 55.0 | ⊖ 8.12 | 20 | 55 | 120 | 32 | 60 | 120.5 | 16 | 60 | 118.5 | 16 | 271 |
| 60.0 | ⊖ 8.85 | 20 | 55 | 120 | 32 | 60 | 120.5 | 16 | 60 | 118.5 | 16 | 271 |

⊖ Capacitor produced according to EN 60252 standard with Arcotronics self-certification

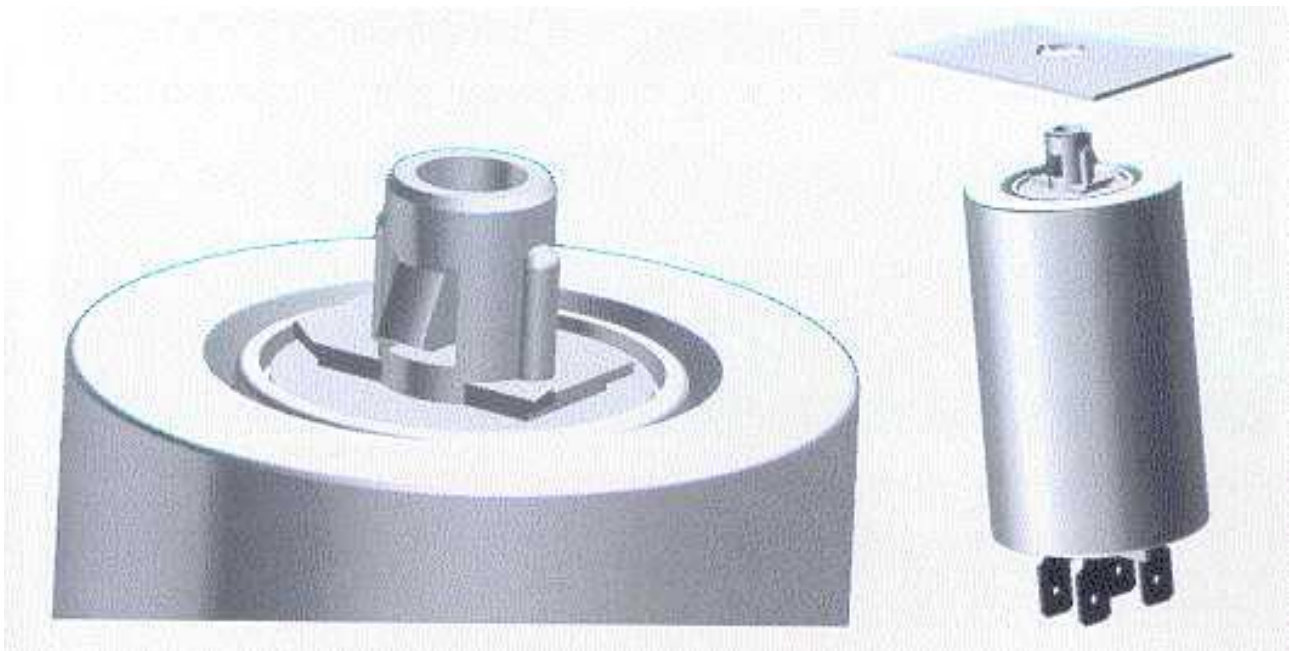
CASE WITHOUT FIXING BOLT

| Rated Cap. μF | Rated Current A | Max dv/dt V/μs | FAST-ON | | | BIPOLAR CABLE | | | UNIPOLAR | | | Weight (FAST-ON) g |
|------------------|--------------------|-------------------|----------------|--------------|--------------|----------------|--------------|--------------|----------------|--------------|--------------|--------------------------|
| | | | Diameter mm | Height mm | Pack. pcs | Diameter mm | Height mm | Pack. pcs | Diameter mm | Height mm | Pack. pcs | |
| 1.0 | 0.15 | 20 | 25 | 56.5 | 162 | 25 | 57 | 99 | 25 | 55 | 99 | 26 |
| 1.5 | 0.22 | 20 | 25 | 56.5 | 162 | 25 | 57 | 99 | 25 | 55 | 99 | 26 |
| 2.0 | 0.29 | 20 | 25 | 56.5 | 162 | 25 | 57 | 99 | 25 | 55 | 99 | 26 |
| 2.5 | 0.37 | 20 | 25 | 56.5 | 162 | 25 | 57 | 99 | 25 | 55 | 99 | 26 |
| 3.0 | 0.44 | 20 | 25 | 56.5 | 162 | 25 | 57 | 99 | 25 | 55 | 99 | 26 |
| 3.5 | 0.52 | 20 | 30 | 56.5 | 110 | 30 | 57 | 68 | 30 | 55 | 68 | 38 |
| 4.0 | 0.59 | 20 | 30 | 56.5 | 110 | 30 | 57 | 68 | 30 | 55 | 68 | 38 |
| 4.5 | 0.66 | 20 | 30 | 56.5 | 110 | 30 | 57 | 68 | 30 | 55 | 68 | 38 |
| 5.0 | 0.74 | 20 | 30 | 56.5 | 110 | 30 | 57 | 68 | 30 | 55 | 68 | 38 |
| 6.0 | 0.88 | 20 | 35 | 56.5 | 86 | 35 | 57 | 52 | 35 | 55 | 52 | 52 |
| 6.3 | 0.93 | 20 | 35 | 56.5 | 86 | 35 | 57 | 52 | 35 | 55 | 52 | 52 |
| 7.0 | 1.03 | 20 | 35 | 56.5 | 86 | 35 | 57 | 52 | 35 | 55 | 52 | 52 |
| 8.0 | 1.18 | 20 | 35 | 56.5 | 86 | 35 | 57 | 52 | 35 | 55 | 52 | 52 |
| 9.0 | 1.33 | 20 | 35 | 73.5 | 86 | 35 | 71.5 | 52 | 35 | 69.5 | 52 | 68 |
| 10.0 | 1.47 | 20 | 35 | 73.5 | 86 | 35 | 71.5 | 52 | 35 | 69.5 | 52 | 68 |
| 12.0 | 1.77 | 20 | 35 | 73.5 | 86 | 35 | 71.5 | 52 | 35 | 69.5 | 52 | 68 |
| 12.5 | 1.84 | 20 | 35 | 73.5 | 86 | 35 | 71.5 | 52 | 35 | 69.5 | 52 | 68 |
| 14.0 | 2.07 | 20 | 40 | 73.5 | 60 | 40 | 71.5 | 39 | 40 | 69.5 | 39 | 88 |
| 16.0 | 2.36 | 20 | 40 | 73.5 | 60 | 40 | 71.5 | 39 | 40 | 69.5 | 39 | 88 |
| 18.0 | 2.66 | 20 | 45 | 74 | 50 | 45 | 71.5 | 30 | 45 | 69.5 | 30 | 112 |
| 20.0 | 2.95 | 20 | 45 | 74 | 50 | 45 | 71.5 | 30 | 45 | 69.5 | 30 | 112 |
| 22.0 | 3.25 | 20 | 45 | 74 | 50 | 45 | 71.5 | 30 | 45 | 69.5 | 30 | 112 |
| 25.0 | 3.69 | 20 | 45 | 94.5 | 44 | 45 | 95 | 30 | 45 | 93 | 30 | 142 |
| 30.0 | 4.43 | 20 | 45 | 94.5 | 44 | 45 | 95 | 30 | 45 | 93 | 30 | 142 |
| 31.5 | 4.65 | 20 | 45 | 94.5 | 44 | 45 | 95 | 30 | 45 | 93 | 30 | 142 |
| 35.0 | 5.16 | 20 | 50 | 94.5 | 40 | 50 | 95 | 25 | 50 | 93 | 25 | 198 |
| 40.0 | 5.90 | 20 | 50 | 118.5 | 40 | 50 | 119 | 25 | 50 | 117 | 25 | 224 |
| 45.0 | 6.64 | 20 | 50 | 118.5 | 40 | 50 | 119 | 25 | 50 | 117 | 25 | 224 |
| 50.0 | 7.38 | 20 | 50 | 118.5 | 40 | 60 | 119 | 16 | 60 | 117 | 16 | 224 |
| 55.0 | 8.12 | 20 | 55 | 118.5 | 32 | 60 | 119 | 16 | 60 | 117 | 16 | 271 |
| 60.0 | 8.85 | 20 | 55 | 118.5 | 32 | 60 | 119 | 16 | 60 | 117 | 16 | 271 |

⊖ Capacitor produced according to EN60252 standard with Arcotronics self-certification

CASE WITH QUICK FITTING DEVICE




| Rated Cap. μF | Rated Current A | Max dv/dt V/ μs | FAST-ON | | | BIPOLAR CABLE | | | UNIPOLAR | | | Weight (FAST-ON) g |
|-----------------------------|--------------------|-------------------------------|----------------|--------------|--------------|----------------|--------------|--------------|----------------|--------------|--------------|--------------------------|
| | | | Diameter mm | Height mm | Pack. pcs | Diameter mm | Height mm | Pack. pcs | Diameter mm | Height mm | Pack. pcs | |
| 1.0 | 0.15 | 20 | 25 | 56.5 | 99 | 25 | 57 | 99 | 25 | 55 | 99 | 26 |
| 1.5 | 0.22 | 20 | 25 | 56.5 | 99 | 25 | 57 | 99 | 25 | 55 | 99 | 26 |
| 2.0 | 0.29 | 20 | 25 | 56.5 | 99 | 25 | 57 | 99 | 25 | 55 | 99 | 26 |
| 2.5 | 0.37 | 20 | 25 | 56.5 | 99 | 25 | 57 | 99 | 25 | 55 | 99 | 26 |
| 3.0 | 0.44 | 20 | 25 | 56.5 | 99 | 25 | 57 | 99 | 25 | 55 | 99 | 26 |
| 3.5 | 0.52 | 20 | 30 | 56.5 | 68 | 30 | 57 | 68 | 30 | 55 | 68 | 38 |
| 4.0 | 0.59 | 20 | 30 | 56.5 | 68 | 30 | 57 | 68 | 30 | 55 | 68 | 38 |
| 4.5 | 0.66 | 20 | 30 | 56.5 | 68 | 30 | 57 | 68 | 30 | 55 | 68 | 38 |
| 5.0 | 0.74 | 20 | 30 | 56.5 | 68 | 30 | 57 | 68 | 30 | 55 | 68 | 38 |
| 6.0 | 0.88 | 20 | 35 | 56.5 | 52 | 35 | 57 | 52 | 35 | 55 | 52 | 52 |
| 6.3 | 0.93 | 20 | 35 | 56.5 | 52 | 35 | 57 | 52 | 35 | 55 | 52 | 52 |
| 7.0 | 1.03 | 20 | 35 | 56.5 | 52 | 35 | 57 | 52 | 35 | 55 | 52 | 52 |
| 8.0 | 1.18 | 20 | 35 | 56.5 | 52 | 35 | 57 | 52 | 35 | 55 | 52 | 52 |
| 9.0 | 1.33 | 20 | 35 | 73.5 | 52 | | | | | | | 68 |
| 10.0 | 1.47 | 20 | 35 | 73.5 | 52 | | | | | | | 68 |
| 12.0 | 1.77 | 20 | 35 | 73.5 | 52 | | | | | | | 68 |
| 12.5 | 1.84 | 20 | 35 | 73.5 | 52 | | | | | | | 68 |

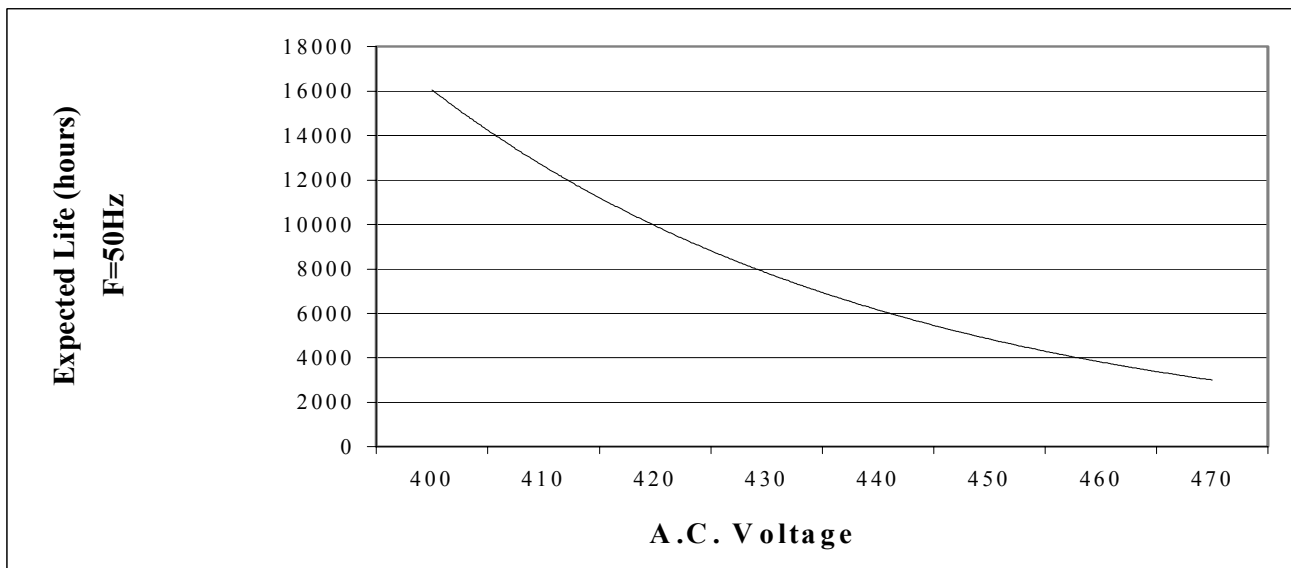




TYPICAL APPLICATIONS: the capacitor is used in series to the start-winding of the single-phase electric motor, allowing its starting and increasing the torque during work. C.27/6 series is particularly suitable for low voltage applications and medium expected life. Main application fields: air-fans, pumps, circulators, low power electric motor.

PRODUCT MARKING: TYPE C – EXAMPLE:

| | |
|---|---|
| A | 1.27.6CC2 MKP |
| ARCOTRONICS | 5 μ F \pm 5 % |
| | 420V~ 10000h/CLASS B |
| | 470V~ 3000h/CLASS C |
| 25/85/21 |   |
| P0 | EN 60252 |
|  | 5 |



| GENERAL DATA | SIZES TABLES | FAST-ON | BIPOLAR CABLE | FLEXIBLE CABLE | STIFF UNIPOLAR CABLE | DRAWINGS |
|--------------|--------------|---------|---------------|----------------|----------------------|----------|
| 18 | 19 | 27 | 29 | 33 | 34 | 57 |

General technical data:

| | |
|--|---|
| Reference standards | IEC 252: 1993 EN 60252: 1994 CEI EN 60252: 1994 |
| EN 60 252 approval | VDE Testing and Certification Institute |
| UL810 "construction only" | Approved up 500 Vac Standard Marking: 250Vac Please contact us for other types of marking |
| Great Wall approval (China) | |
| Type of Service: | Continuous |
| Working class: | CLASS B – 10.000 hours, 420 Volt a.c. CLASS C – 3.000 hours, 470 Volt a.c. |
| Min. / Max. Operating Temperature: | - 25 / 85 °C |
| Storage Temperature: | - 40 / 90 °C |
| Rated voltage Vn (a.c.): | 470 Volt a.c. |
| Rated frequency (Hz): | 50 - 60 Hz |
| Voltage rise/fall time (max): | 15 Volt / μ s |
| Maximum Permissible Voltage: | 1.10 x Rated Voltage |
| Maximum Permissible Current: | 1.30 x Rated Current |
| Dissipation factor, Tg δ : | 20 x 10 ⁻⁴ at 20°C, 50 Hz |
| Safety class: | P0 |
| Maximum Altitude: | 2000 m |
| Capacitance tolerance (standard): | \pm 5 % |
| Mounting: | Any position |
| Can: | Polypropylene with self-extinguishing features V2 (UL94). Noryl with self-extinguishing features VI (UL94) for diameters \geq 50 mm |
| Disk: | Nylon PA66 with self-extinguishing features V0: fast-on execution. PC-A with self-extinguishing features V0: cable execution Noryl PPO with self-extinguishing features VI: for diameters \geq40mm cable execution |
| Filling Resin: | Polyurethane |
| Dielectric: | Polypropylene |
| Plates: | Self-healing metal layer |
| Test voltage terminal to terminal: | 2 Vn for 2 s |
| Test voltage terminal to can: | 2.000 Volt for 2 s |
| Leakage – Clearance in air between parts under voltage: | \geq 5mm |
| Leakage – Clearance in air between parts under voltage and accessible metal parts: | \geq 6mm |
| Vibration test: | IEC 68-2-6 |
| Max Tightening torque: | 5 Nm (M8) - 10 Nm (M12) |

CASE WITH FIXING BOLT

| Rated Cap. μF | Rated Current A | Max dv/dt V/μs | FAST-ON | | | BIPOLAR CABLE | | | UNIPOLAR | | | Weight (FAST-ON) g |
|------------------|--------------------|-------------------|----------------|--------------|--------------|----------------|--------------|--------------|----------------|--------------|--------------|--------------------------|
| | | | Diameter mm | Height mm | Pack. pcs | Diameter mm | Height mm | Pack. pcs | Diameter mm | Height mm | Pack. pcs | |
| 1.0 | 0.15 | 15 | 25 | 56.5 | 162 | 25 | 57 | 99 | 25 | 55 | 99 | 26 |
| 1.5 | 0.22 | 15 | 25 | 56.5 | 162 | 25 | 57 | 99 | 25 | 55 | 99 | 26 |
| 2.0 | 0.29 | 15 | 25 | 56.5 | 162 | 25 | 57 | 99 | 25 | 55 | 99 | 26 |
| 2.5 | 0.37 | 15 | 25 | 56.5 | 162 | 25 | 57 | 99 | 25 | 55 | 99 | 26 |
| 3.0 | 0.44 | 15 | 25 | 56.5 | 162 | 25 | 57 | 99 | 25 | 55 | 99 | 26 |
| 3.5 | 0.52 | 15 | 25 | 56.5 | 162 | 25 | 57 | 99 | 25 | 55 | 99 | 26 |
| 4.0 | 0.59 | 15 | 25 | 56.5 | 162 | 25 | 57 | 99 | 25 | 55 | 99 | 26 |
| 4.5 | 0.66 | 15 | 30 | 56.5 | 110 | 30 | 57 | 68 | 30 | 55 | 68 | 38 |
| 5.0 | 0.74 | 15 | 30 | 56.5 | 110 | 30 | 57 | 68 | 30 | 55 | 68 | 38 |
| 6.0 | 0.88 | 15 | 30 | 56.5 | 110 | 30 | 57 | 68 | 30 | 55 | 68 | 38 |
| 6.3 | 0.93 | 15 | 30 | 56.5 | 110 | 30 | 57 | 68 | 30 | 55 | 68 | 38 |
| 7.0 | 1.03 | 15 | 30 | 56.5 | 110 | 30 | 57 | 68 | 30 | 55 | 68 | 38 |
| 8.0 | 1.18 | 15 | 35 | 56.5 | 86 | 35 | 57 | 52 | 35 | 55 | 52 | 52 |
| 9.0 | 1.33 | 15 | 35 | 56.5 | 86 | 35 | 57 | 52 | 35 | 55 | 52 | 52 |
| 10.0 | 1.47 | 15 | 35 | 56.5 | 86 | 35 | 57 | 52 | 35 | 55 | 52 | 52 |
| 12.0 | 1.77 | 15 | 35 | 73.5 | 86 | 35 | 71.5 | 52 | 35 | 69.5 | 52 | 68 |
| 12.5 | 1.84 | 15 | 35 | 73.5 | 86 | 35 | 71.5 | 52 | 35 | 69.5 | 52 | 68 |
| 14.0 | 2.07 | 15 | 35 | 73.5 | 86 | 35 | 71.5 | 52 | 35 | 69.5 | 52 | 68 |
| 16.0 | 2.36 | 15 | 35 | 73.5 | 86 | 35 | 71.5 | 52 | 35 | 69.5 | 52 | 68 |
| 18.0 | 2.66 | 15 | 40 | 73.5 | 60 | 40 | 71.5 | 39 | 40 | 69.5 | 39 | 88 |
| 20.0 | 2.95 | 15 | 40 | 73.5 | 60 | 40 | 71.5 | 39 | 40 | 69.5 | 39 | 88 |
| 22.0 | 3.25 | 15 | 40 | 73.5 | 60 | 40 | 71.5 | 39 | 40 | 69.5 | 39 | 88 |
| 25.0 | 3.69 | 15 | 45 | 74 | 50 | 45 | 71.5 | 30 | 45 | 69.5 | 30 | 112 |
| 30.0 | 4.43 | 15 | 45 | 74 | 50 | 45 | 71.5 | 30 | 45 | 69.5 | 30 | 112 |
| 31.5 | 4.65 | 15 | 45 | 94.5 | 44 | 45 | 95 | 30 | 45 | 93 | 30 | 142 |
| 35.0 | 5.16 | 15 | 45 | 94.5 | 44 | 45 | 95 | 30 | 45 | 93 | 30 | 142 |
| 40.0 | 5.90 | 15 | 45 | 94.5 | 44 | 45 | 95 | 30 | 45 | 93 | 30 | 142 |
| 45.0 | 6.64 | 15 | 50 | 96 | 40 | 50 | 96.5 | 25 | 50 | 94.5 | 25 | 178 |
| 50.0 | 7.38 | 15 | 50 | 121 | 40 | 50 | 121.5 | 25 | 50 | 119.5 | 25 | 224 |
| 55.0 | 8.12 | 15 | 50 | 121 | 40 | 50 | 121.5 | 25 | 50 | 119.5 | 25 | 224 |
| 60.0 | ⊖ 8.85 | 15 | 50 | 121 | 40 | 50 | 121.5 | 25 | 50 | 119.5 | 25 | 224 |
| 65.0 | ⊖ 9.60 | 15 | 50 | 121 | 40 | 50 | 121.5 | 25 | 50 | 119.5 | 25 | 224 |
| 70.0 | ⊖ 10.30 | 15 | 50 | 121 | 40 | 50 | 121.5 | 25 | 50 | 119.5 | 25 | 224 |

⊖ Capacitor produced according to EN60252 standard with Arcotronics self-certification

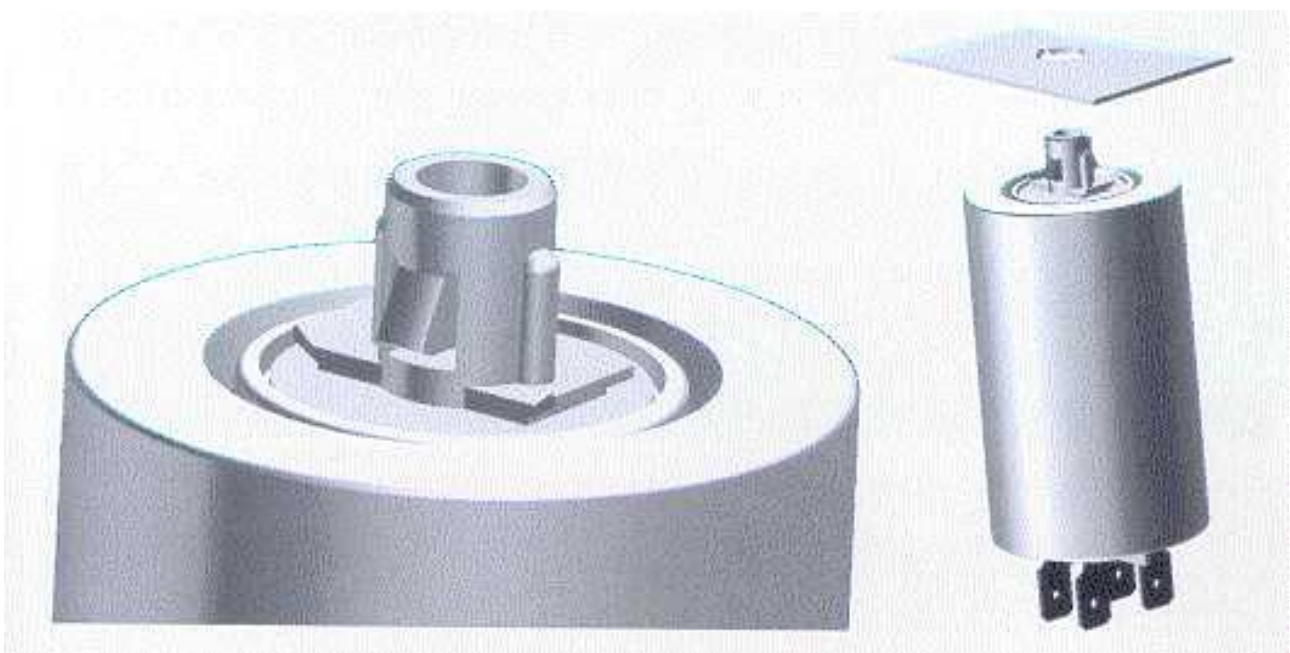
CASE WITHOUT FIXING BOLT

| Rated Cap. μF | Rated Current A | Max dv/dt V/μs | FAST-ON | | | BIPOLAR CABLE | | | UNIPOLAR | | | Weight (FAST-ON) g |
|------------------|--------------------|-------------------|----------------|--------------|--------------|----------------|--------------|--------------|----------------|--------------|--------------|--------------------------|
| | | | Diameter mm | Height mm | Pack. pcs | Diameter mm | Height mm | Pack. pcs | Diameter mm | Height mm | Pack. pcs | |
| 1.0 | 0.15 | 15 | 25 | 56.5 | 162 | 25 | 57 | 99 | 25 | 55 | 99 | 26 |
| 1.5 | 0.22 | 15 | 25 | 56.5 | 162 | 25 | 57 | 99 | 25 | 55 | 99 | 26 |
| 2.0 | 0.29 | 15 | 25 | 56.5 | 162 | 25 | 57 | 99 | 25 | 55 | 99 | 26 |
| 2.5 | 0.37 | 15 | 25 | 56.5 | 162 | 25 | 57 | 99 | 25 | 55 | 99 | 26 |
| 3.0 | 0.44 | 15 | 25 | 56.5 | 162 | 25 | 57 | 99 | 25 | 55 | 99 | 26 |
| 3.5 | 0.52 | 15 | 25 | 56.5 | 162 | 25 | 57 | 99 | 25 | 55 | 99 | 26 |
| 4.0 | 0.59 | 15 | 25 | 56.5 | 162 | 25 | 57 | 99 | 25 | 55 | 99 | 26 |
| 4.5 | 0.66 | 15 | 30 | 56.5 | 110 | 30 | 57 | 68 | 30 | 55 | 68 | 38 |
| 5.0 | 0.74 | 15 | 30 | 56.5 | 110 | 30 | 57 | 68 | 30 | 55 | 68 | 38 |
| 6.0 | 0.88 | 15 | 30 | 56.5 | 110 | 30 | 57 | 68 | 30 | 55 | 68 | 38 |
| 6.3 | 0.93 | 15 | 30 | 56.5 | 110 | 30 | 57 | 68 | 30 | 55 | 68 | 38 |
| 7.0 | 1.03 | 15 | 30 | 56.5 | 110 | 30 | 57 | 68 | 30 | 55 | 68 | 38 |
| 8.0 | 1.18 | 15 | 35 | 56.5 | 86 | 35 | 57 | 52 | 35 | 55 | 52 | 52 |
| 9.0 | 1.33 | 15 | 35 | 56.5 | 86 | 35 | 57 | 52 | 35 | 55 | 52 | 68 |
| 10.0 | 1.47 | 15 | 35 | 56.5 | 86 | 35 | 57 | 52 | 35 | 55 | 52 | 68 |
| 12.0 | 1.77 | 15 | 35 | 73.5 | 86 | 35 | 71.5 | 52 | 35 | 69.5 | 52 | 68 |
| 12.5 | 1.84 | 15 | 35 | 73.5 | 86 | 35 | 71.5 | 52 | 35 | 69.5 | 52 | 68 |
| 14.0 | 2.07 | 15 | 35 | 73.5 | 86 | 35 | 71.5 | 52 | 35 | 69.5 | 52 | 68 |
| 16.0 | 2.36 | 15 | 35 | 73.5 | 86 | 35 | 71.5 | 52 | 35 | 69.5 | 52 | 68 |
| 18.0 | 2.66 | 15 | 40 | 73.5 | 60 | 40 | 71.5 | 39 | 40 | 69.5 | 39 | 88 |
| 20.0 | 2.95 | 15 | 40 | 73.5 | 60 | 40 | 71.5 | 39 | 40 | 69.5 | 39 | 88 |
| 22.0 | 3.25 | 15 | 40 | 73.5 | 60 | 40 | 71.5 | 39 | 40 | 69.5 | 39 | 88 |
| 25.0 | 3.69 | 15 | 45 | 74 | 50 | 45 | 71.5 | 30 | 45 | 69.5 | 30 | 112 |
| 30.0 | 4.43 | 15 | 45 | 74 | 50 | 45 | 71.5 | 30 | 45 | 69.5 | 30 | 112 |
| 31.5 | 4.65 | 15 | 45 | 94.5 | 44 | 45 | 95 | 30 | 45 | 93 | 30 | 142 |
| 35.0 | 5.16 | 15 | 45 | 94.5 | 44 | 45 | 95 | 30 | 45 | 93 | 30 | 142 |
| 40.0 | 5.90 | 15 | 45 | 94.5 | 44 | 45 | 95 | 30 | 45 | 93 | 30 | 142 |
| 45.0 | 6.64 | 15 | 50 | 94.5 | 40 | 50 | 95 | 25 | 50 | 93 | 25 | 178 |
| 50.0 | 7.38 | 15 | 50 | 118.5 | 40 | 50 | 119 | 25 | 50 | 117 | 25 | 224 |
| 55.0 | 8.12 | 15 | 50 | 118.5 | 40 | 50 | 119 | 25 | 50 | 117 | 25 | 224 |
| 60.0 | ⊖ 8.85 | 15 | 50 | 118.5 | 40 | 50 | 119 | 25 | 50 | 117 | 25 | 224 |
| 65.0 | ⊖ 9.60 | 15 | 50 | 118.5 | 40 | 50 | 119 | 25 | 50 | 117 | 25 | 224 |
| 70.0 | ⊖ 10.30 | 15 | 50 | 118.5 | 40 | 50 | 119 | 25 | 50 | 117 | 25 | 224 |

⊖ Capacitor produced according EN60252 standard with Arcotronics self-certification

CASE WITH QUICK FITTING DEVICE

| Rated Cap. μF | Rated Current A | Max dv/dt V/ μs | FAST-ON | | | BIPOLAR CABLE | | | UNIPOLAR | | | Weight (FAST-ON) g |
|-----------------------------|--------------------|-------------------------------|----------------|--------------|--------------|----------------|--------------|--------------|----------------|--------------|--------------|--------------------------|
| | | | Diameter mm | Height mm | Pack. pcs | Diameter mm | Height mm | Pack. pcs | Diameter mm | Height mm | Pack. pcs | |
| 1.0 | 0.15 | 15 | 25 | 56.5 | 297 | 25 | 57 | 99 | 25 | 55 | 99 | 26 |
| 1.5 | 0.22 | 15 | 25 | 56.5 | 297 | 25 | 57 | 99 | 25 | 55 | 99 | 26 |
| 2.0 | 0.29 | 15 | 25 | 56.5 | 297 | 25 | 57 | 99 | 25 | 55 | 99 | 26 |
| 2.5 | 0.37 | 15 | 25 | 56.5 | 297 | 25 | 57 | 99 | 25 | 55 | 99 | 26 |
| 3.0 | 0.44 | 15 | 25 | 56.5 | 297 | 25 | 57 | 99 | 25 | 55 | 99 | 26 |
| 3.5 | 0.52 | 15 | 25 | 56.5 | 207 | 25 | 57 | 99 | 25 | 55 | 99 | 26 |
| 4.0 | 0.59 | 15 | 25 | 56.5 | 297 | 25 | 57 | 99 | 25 | 55 | 99 | 26 |
| 4.5 | 0.66 | 15 | 30 | 56.5 | 204 | 30 | 57 | 68 | 30 | 55 | 68 | 38 |
| 5.0 | 0.74 | 15 | 30 | 56.5 | 204 | 30 | 57 | 68 | 30 | 55 | 68 | 38 |
| 6.0 | 0.88 | 15 | 30 | 56.5 | 204 | 30 | 57 | 68 | 30 | 55 | 68 | 38 |
| 6.3 | 0.93 | 15 | 30 | 56.5 | 204 | 30 | 57 | 68 | 30 | 55 | 68 | 38 |
| 7.0 | 1.03 | 15 | 30 | 56.5 | 204 | 30 | 57 | 68 | 30 | 55 | 68 | 38 |
| 8.0 | 1.18 | 15 | 35 | 56.5 | 136 | 35 | 57 | 52 | 35 | 55 | 52 | 52 |
| 9.0 | 1.33 | 15 | 35 | 56.5 | 136 | 35 | 57 | 52 | 35 | 55 | 52 | 68 |
| 10.0 | 1.47 | 15 | 35 | 56.5 | 136 | 35 | 57 | 52 | 35 | 55 | 52 | 68 |
| 12.0 | 1.77 | 15 | 35 | 73.5 | 104 | | | | | | | 68 |
| 12.5 | 1.84 | 15 | 35 | 73.5 | 104 | | | | | | | 68 |
| 14.0 | 2.07 | 15 | 35 | 73.5 | 104 | | | | | | | 68 |

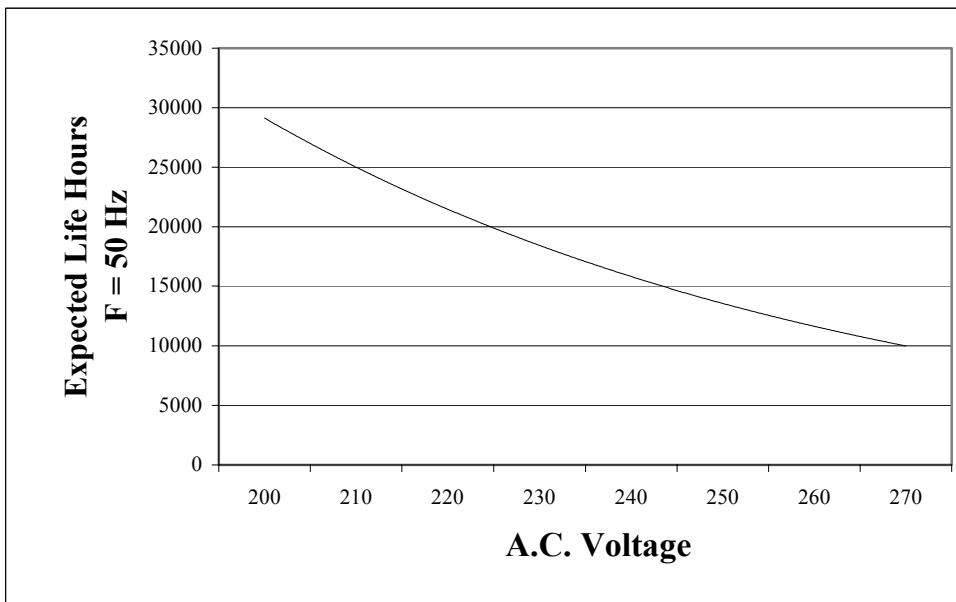




TYPICAL APPLICATIONS: the capacitor is used in series to the start-winding of the single-phase electric motor, allowing its starting and increasing the torque during work. This series is suitable for low voltage application and medium expected life. Main application fields: air-fans, rolling shutters motors, and battery chargers.

MARKING PRODUCT: TYPE L – EXAMPLE:

| | |
|---|--|
| <p>ARCOTRONICS</p> | <p>1.27.7LA1 MKP 10 μF \pm 5 %</p> |
| <p>275V~ 10000h/CLASS B 425V~240/10%1000h/CLASS D</p> | |
| <p>25/85/21 P0</p> | |
| | |



| GENERAL DATA | SIZES TABLES | FAST-ON | BIPOLAR CABLE | FLEXIBLE CABLE | STIFF UNIPOLAR CABLE | DRAWINGS |
|--------------|--------------|-----------|---------------|----------------|----------------------|-----------|
| 23 | 24 | 27 | 29 | 33 | 34 | 57 |

General technical data:

| | |
|--|--|
| Reference standards | IEC 252: 1993 EN 60252: 1994 |
| EN 60 252 approval | VDE standard institute |
| UL810 “ <i>construction only</i> ” | Approved up 500 Vac Standard Marking: 250Vac Please contact us for other types of marking |
| Type of working: | Continuous |
| Working class: | CLASS B - 10.000 hours, 275 Volt a.c. Continuous working |
| | CLASS D - 1.000 hours, 425 Volt a.c. Intermittent Working 24min/240min |
| Temperature: Operating Min. / Max.: | - 40 / 85 °C or – 25 / 85 °C |
| Storage: | - 40 / 90 °C |
| Rated voltage Vn (a.c.): | 275Volt a.c. |
| Intermittent voltage Vn (ac) | 425 Volt – 24 minutes every 4 hours |
| Rated frequency (Hz): | 50 - 60 Hz |
| Voltage rise/fall time (max): | 15 Volt / μs |
| Maximum Permissible Voltage: | 1.10 x Rated Voltage |
| Maximum Permissible Current: | 1.30 x Rated Current |
| Dissipation factor Tgδ: | 20 x 10 ⁻⁴ at 20°C, 50 Hz |
| Safety class: | P0 |
| Maximum altitude: | 2000 m |
| Capacitance tolerance (standard): | ± 5 % |
| Mounting: | Any position |
| Case: | Plastic Material with self-extinguishing features V2 (UL94). Noryl with self-extinguishing features V1 (UL94 standard) for diameters ≥ 50 mm |
| Disk: | Nylon PA66 with self-extinguishing features V0: fast-on execution. PC-A with self-extinguishing features V0: cable execution Noryl PPO with self-extinguishing features V1: for diameters ≥ 40mm cable execution |
| Dielectric: | Polypropylene |
| Plates: | Self-healing metal layer |
| Voltage test terminal to terminal: | 2 Vn for 2 s Continuous working / 1.5 Intermittent working |
| Voltage test terminal to case: | 2.000 Volt for 2 s |
| Leakage – Clearance in air between parts under voltage: | ≥ 5mm |
| Leakage – Clearance in air between parts under voltage and accessible metal parts: | ≥ 6mm |
| Vibration test: | IEC 68-2-6 |
| Max Tightening torque: | 5 Nm (M8) - 10 Nm (M12) |

CASE WITH FIXING BOLT

| Rated Cap. μF | | Rated Current A | Max dv/dt V/μs | FAST-ON | | | BIPOLAR CABLE | | | UNIPOLAR | | | Weight (FAST-ON) g |
|------------------|---|--------------------|-------------------|----------------|--------------|--------------|----------------|--------------|--------------|----------------|--------------|--------------|--------------------------|
| | | | | Diameter mm | Height mm | Pack. pcs | Diameter mm | Height mm | Pack. pcs | Diameter mm | Height mm | Pack. pcs | |
| 1.0 | | 0.1 | 15 | 25 | 56.5 | 162 | 25 | 57 | 99 | 25 | 55 | 99 | 26 |
| 1.5 | | 0.1 | 15 | 25 | 56.5 | 162 | 25 | 57 | 99 | 25 | 55 | 99 | 26 |
| 2.0 | | 0.2 | 15 | 25 | 56.5 | 162 | 25 | 57 | 99 | 25 | 55 | 99 | 26 |
| 2.5 | | 0.2 | 15 | 25 | 56.5 | 162 | 25 | 57 | 99 | 25 | 55 | 99 | 26 |
| 3.0 | | 0.3 | 15 | 25 | 56.5 | 162 | 25 | 57 | 99 | 25 | 55 | 99 | 26 |
| 3.5 | | 0.3 | 15 | 25 | 56.5 | 162 | 25 | 57 | 99 | 25 | 55 | 99 | 26 |
| 4.0 | | 0.3 | 15 | 25 | 56.5 | 162 | 25 | 57 | 99 | 25 | 55 | 99 | 26 |
| 4.5 | | 0.3 | 15 | 25 | 56.5 | 162 | 25 | 57 | 99 | 25 | 55 | 99 | 26 |
| 5.0 | | 0.4 | 15 | 25 | 56.5 | 162 | 25 | 57 | 99 | 25 | 55 | 99 | 26 |
| 6.0 | | 0.5 | 15 | 30 | 56.5 | 110 | 30 | 57 | 68 | 30 | 55 | 68 | 38 |
| 6.3 | | 0.5 | 15 | 30 | 56.5 | 110 | 30 | 57 | 68 | 30 | 55 | 68 | 38 |
| 7.0 | | 0.6 | 15 | 30 | 56.5 | 110 | 30 | 57 | 68 | 30 | 55 | 68 | 38 |
| 8.0 | | 0.7 | 15 | 30 | 56.5 | 110 | 30 | 57 | 68 | 30 | 55 | 68 | 38 |
| 9.0 | | 0.8 | 15 | 30 | 56.5 | 110 | 30 | 57 | 68 | 30 | 55 | 68 | 38 |
| 10.0 | | 0.9 | 15 | 30 | 56.5 | 110 | 30 | 57 | 68 | 30 | 55 | 68 | 38 |
| 12.0 | | 1.0 | 15 | 35 | 56.5 | 86 | 35 | 57 | 52 | 35 | 55 | 52 | 52 |
| 14.0 | | 1.2 | 15 | 35 | 56.5 | 86 | 35 | 57 | 52 | 35 | 55 | 52 | 52 |
| 16.0 | | 1.4 | 15 | 35 | 73.5 | 86 | 35 | 71.5 | 52 | 35 | 69.5 | 52 | 68 |
| 18.0 | | 1.6 | 15 | 35 | 73.5 | 86 | 35 | 71.5 | 52 | 35 | 69.5 | 52 | 68 |
| 20.0 | | 1.7 | 15 | 35 | 73.5 | 86 | 35 | 71.5 | 52 | 35 | 69.5 | 52 | 68 |
| 22.0 | | 1.9 | 15 | 35 | 73.5 | 86 | 35 | 71.5 | 52 | 35 | 69.5 | 52 | 68 |
| 25.0 | | 2.2 | 15 | 40 | 73.5 | 60 | 40 | 71.5 | 39 | 40 | 69.5 | 39 | 88 |
| 30.0 | | 2.6 | 15 | 40 | 73.5 | 60 | 40 | 71.5 | 39 | 40 | 69.5 | 39 | 88 |
| 31.5 | | 2.7 | 15 | 45 | 74 | 50 | 45 | 71.5 | 30 | 45 | 69.5 | 30 | 112 |
| 35.0 | | 3.0 | 15 | 45 | 74 | 50 | 45 | 71.5 | 30 | 45 | 69.5 | 30 | 112 |
| 40.0 | | 3.5 | 15 | 45 | 94.5 | 44 | 45 | 95 | 30 | 45 | 93 | 30 | 142 |
| 45.0 | ⊖ | 3.9 | 15 | 45 | 94.5 | 44 | 45 | 95 | 30 | 45 | 93 | 30 | 142 |
| 50.0 | ⊖ | 4.3 | 15 | 45 | 94.5 | 44 | 45 | 95 | 30 | 45 | 93 | 30 | 142 |
| 55.0 | ⊖ | 4.8 | 15 | 45 | 94.5 | 44 | 45 | 95 | 30 | 45 | 93 | 30 | 142 |
| 60.0 | ⊖ | 5.2 | 15 | 45 | 94.5 | 44 | 45 | 95 | 30 | 45 | 93 | 30 | 142 |
| 65.0 | ⊖ | 5.7 | 15 | 50 | 96 | 40 | 50 | 96.5 | 25 | 50 | 94.5 | 25 | 178 |
| 70.0 | ⊖ | 6.1 | 15 | 50 | 96 | 40 | 50 | 96.5 | 25 | 50 | 94.5 | 25 | 178 |
| 75.0 | ⊖ | 6.5 | 15 | 50 | 96 | 40 | 50 | 96.5 | 25 | 50 | 94.5 | 25 | 178 |
| 80.0 | ⊖ | 7.0 | 15 | 50 | 121 | 40 | 50 | 121.5 | 25 | 50 | 119.5 | 25 | 224 |
| 90.0 | ⊖ | 7.8 | 15 | 50 | 121 | 40 | 50 | 121.5 | 25 | 50 | 119.5 | 25 | 224 |
| 100.0 | ⊖ | 8.7 | 15 | 50 | 121 | 40 | 50 | 121.5 | 25 | 50 | 119.5 | 25 | 224 |

⊖ Capacitor produced according EN60252 standard with Arcotronics self-certification

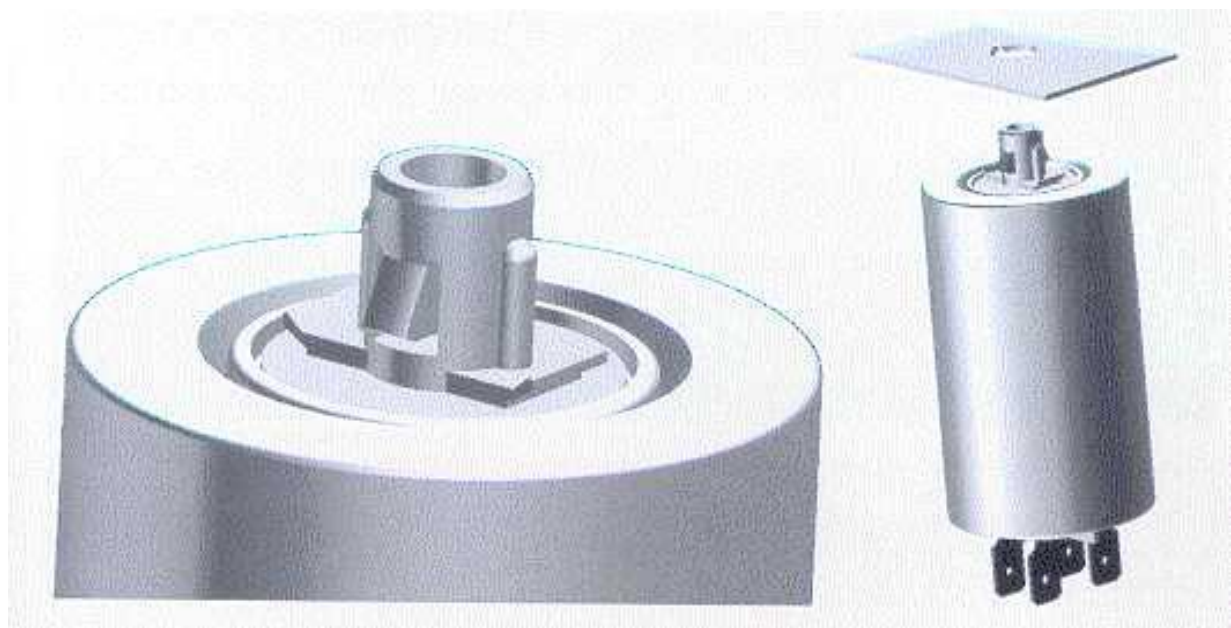
CASE WITHOUT FIXING BOLT

| Rated Cap. μF | | Rated Current A | Max dv/dt V/μs | FAST-ON | | | BIPOLAR CABLE | | | UNIPOLAR | | | Weight (FAST-ON) g |
|------------------|---|--------------------|-------------------|----------------|--------------|--------------|----------------|--------------|--------------|----------------|--------------|--------------|--------------------------|
| | | | | Diameter mm | Height mm | Pack. pcs | Diameter mm | Height mm | Pack. pcs | Diameter mm | Height mm | Pack. pcs | |
| 1.0 | | 0.1 | 15 | 25 | 56.5 | 162 | 25 | 57 | 99 | 25 | 55 | 99 | 26 |
| 1.5 | | 0.1 | 15 | 25 | 56.5 | 162 | 25 | 57 | 99 | 25 | 55 | 99 | 26 |
| 2.0 | | 0.2 | 15 | 25 | 56.5 | 162 | 25 | 57 | 99 | 25 | 55 | 99 | 26 |
| 2.5 | | 0.2 | 15 | 25 | 56.5 | 162 | 25 | 57 | 99 | 25 | 55 | 99 | 26 |
| 3.0 | | 0.3 | 15 | 25 | 56.5 | 162 | 25 | 57 | 99 | 25 | 55 | 99 | 26 |
| 3.5 | | 0.3 | 15 | 25 | 56.5 | 162 | 25 | 57 | 99 | 25 | 55 | 99 | 26 |
| 4.0 | | 0.3 | 15 | 25 | 56.5 | 162 | 25 | 57 | 99 | 25 | 55 | 99 | 26 |
| 4.5 | | 0.3 | 15 | 25 | 56.5 | 162 | 25 | 57 | 99 | 25 | 55 | 99 | 26 |
| 5.0 | | 0.4 | 15 | 25 | 56.5 | 162 | 25 | 57 | 99 | 25 | 55 | 99 | 26 |
| 6.0 | | 0.5 | 15 | 30 | 56.5 | 110 | 30 | 57 | 68 | 30 | 55 | 68 | 38 |
| 6.3 | | 0.5 | 15 | 30 | 56.5 | 110 | 30 | 57 | 68 | 30 | 55 | 68 | 38 |
| 7.0 | | 0.6 | 15 | 30 | 56.5 | 110 | 30 | 57 | 68 | 30 | 55 | 68 | 38 |
| 8.0 | | 0.7 | 15 | 30 | 56.5 | 110 | 30 | 57 | 68 | 30 | 55 | 68 | 38 |
| 9.0 | | 0.8 | 15 | 30 | 56.5 | 110 | 30 | 57 | 68 | 30 | 55 | 68 | 38 |
| 10.0 | | 0.9 | 15 | 30 | 56.5 | 110 | 30 | 57 | 68 | 30 | 55 | 68 | 38 |
| 12.0 | | 1.0 | 15 | 35 | 56.5 | 86 | 35 | 57 | 52 | 35 | 55 | 52 | 52 |
| 14.0 | | 1.2 | 15 | 35 | 56.5 | 86 | 35 | 57 | 52 | 35 | 55 | 52 | 52 |
| 16.0 | | 1.4 | 15 | 35 | 73.5 | 86 | 35 | 71.5 | 52 | 35 | 69.5 | 52 | 68 |
| 18.0 | | 1.6 | 15 | 35 | 73.5 | 86 | 35 | 71.5 | 52 | 35 | 69.5 | 52 | 68 |
| 20.0 | | 1.7 | 15 | 35 | 73.5 | 86 | 35 | 71.5 | 52 | 35 | 69.5 | 52 | 68 |
| 22.0 | | 1.9 | 15 | 35 | 73.5 | 86 | 35 | 71.5 | 52 | 35 | 69.5 | 52 | 68 |
| 25.0 | | 2.2 | 15 | 40 | 73.5 | 60 | 40 | 71.5 | 39 | 40 | 69.5 | 39 | 88 |
| 30.0 | | 2.6 | 15 | 40 | 73.5 | 60 | 40 | 71.5 | 39 | 40 | 69.5 | 39 | 88 |
| 31.5 | | 2.7 | 15 | 45 | 74 | 50 | 45 | 71.5 | 30 | 45 | 69.5 | 30 | 112 |
| 35.0 | | 3.0 | 15 | 45 | 74 | 50 | 45 | 71.5 | 30 | 45 | 69.5 | 30 | 112 |
| 40.0 | | 3.5 | 15 | 45 | 94.5 | 44 | 45 | 95 | 30 | 45 | 93 | 30 | 142 |
| 45.0 | ⊖ | 3.9 | 15 | 45 | 94.5 | 44 | 45 | 95 | 30 | 45 | 93 | 30 | 142 |
| 50.0 | ⊖ | 4.3 | 15 | 45 | 94.5 | 44 | 45 | 95 | 30 | 45 | 93 | 30 | 142 |
| 55.0 | ⊖ | 4.8 | 15 | 45 | 94.5 | 44 | 45 | 95 | 30 | 45 | 93 | 30 | 142 |
| 60.0 | ⊖ | 5.2 | 15 | 45 | 94.5 | 44 | 45 | 95 | 30 | 45 | 93 | 30 | 142 |
| 65.0 | ⊖ | 5.7 | 15 | 50 | 94.5 | 40 | 50 | 95 | 25 | 50 | 93 | 25 | 178 |
| 70.0 | ⊖ | 6.1 | 15 | 50 | 94.5 | 40 | 50 | 95 | 25 | 50 | 93 | 25 | 178 |
| 75.0 | ⊖ | 6.5 | 15 | 50 | 94.5 | 40 | 50 | 95 | 25 | 50 | 93 | 25 | 178 |
| 80.0 | ⊖ | 7.0 | 15 | 50 | 118.5 | 40 | 50 | 119 | 25 | 50 | 117 | 25 | 224 |
| 90.0 | ⊖ | 7.8 | 15 | 50 | 118.5 | 40 | 50 | 119 | 25 | 50 | 117 | 25 | 224 |
| 100.0 | ⊖ | 8.7 | 15 | 50 | 118.5 | 40 | 50 | 119 | 25 | 50 | 117 | 25 | 224 |

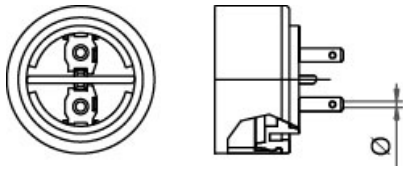
⊖ Capacitor produced according EN60252 standard with Arcotronics self-certification

CASE WITH QUICK FITTING DEVICE

| Rated Cap. μF | Rated Current A | Max dv/dt V/ μs | FAST-ON | | | BIPOLAR CABLE | | | UNIPOLAR | | | Weight (FAST-ON) g |
|-----------------------------|--------------------|-------------------------------|----------------|--------------|--------------|----------------|--------------|--------------|----------------|--------------|--------------|--------------------------|
| | | | Diameter mm | Height mm | Pack. pcs | Diameter mm | Height mm | Pack. pcs | Diameter mm | Height mm | Pack. pcs | |
| 1.0 | 0.1 | 15 | 25 | 56.5 | 162 | 25 | 57 | 99 | 25 | 55 | 99 | 26 |
| 1.5 | 0.1 | 15 | 25 | 56.5 | 162 | 25 | 57 | 99 | 25 | 55 | 99 | 26 |
| 2.0 | 0.2 | 15 | 25 | 56.5 | 162 | 25 | 57 | 99 | 25 | 55 | 99 | 26 |
| 2.5 | 0.2 | 15 | 25 | 56.5 | 162 | 25 | 57 | 99 | 25 | 55 | 99 | 26 |
| 3.0 | 0.3 | 15 | 25 | 56.5 | 162 | 25 | 57 | 99 | 25 | 55 | 99 | 26 |
| 3.5 | 0.3 | 15 | 25 | 56.5 | 162 | 25 | 57 | 99 | 25 | 55 | 99 | 26 |
| 4.0 | 0.3 | 15 | 25 | 56.5 | 162 | 25 | 57 | 99 | 25 | 55 | 99 | 26 |
| 4.5 | 0.3 | 15 | 25 | 56.5 | 162 | 25 | 57 | 99 | 25 | 55 | 99 | 26 |
| 5.0 | 0.4 | 15 | 25 | 56.5 | 162 | 25 | 57 | 99 | 25 | 55 | 99 | 26 |
| 6.0 | 0.5 | 15 | 30 | 56.5 | 110 | 30 | 57 | 68 | 30 | 55 | 68 | 38 |
| 6.3 | 0.5 | 15 | 30 | 56.5 | 110 | 30 | 57 | 68 | 30 | 55 | 68 | 38 |
| 7.0 | 0.6 | 15 | 30 | 56.5 | 110 | 30 | 57 | 68 | 30 | 55 | 68 | 38 |
| 8.0 | 0.7 | 15 | 30 | 56.5 | 110 | 30 | 57 | 68 | 30 | 55 | 68 | 38 |
| 9.0 | 0.8 | 15 | 30 | 56.5 | 110 | 30 | 57 | 68 | 30 | 55 | 68 | 38 |
| 10.0 | 0.9 | 15 | 30 | 56.5 | 110 | 30 | 57 | 68 | 30 | 55 | 68 | 38 |
| 12.0 | 1.0 | 15 | 35 | 56.5 | 86 | 35 | 57 | 52 | 35 | 55 | 52 | 52 |
| 14.0 | 1.2 | 15 | 35 | 56.5 | 86 | 35 | 57 | 52 | 35 | 55 | 52 | 52 |
| 16.0 | 1.4 | 15 | 35 | 73.5 | 86 | | | | | | | 68 |
| 18.0 | 1.6 | 15 | 35 | 73.5 | 104 | | | | | | | 68 |
| 20.0 | 1.7 | 15 | 35 | 73.5 | 104 | | | | | | | 68 |
| 22.0 | 1.9 | 15 | 35 | 73.5 | 104 | | | | | | | 68 |



C.27. SERIES Fast-on 2.8 mm with Hole

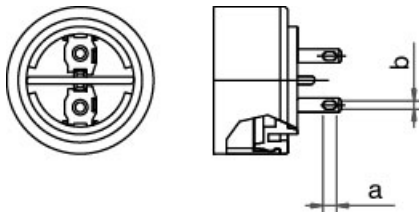


| TYPE OF TERMINAL | FAST-ON 2.8 WITH HOLE |
|-------------------|--|
| Execution: | Standard |
| Protection degree | IP00 |
| Wire Material | Steel tinned by electrolysis |
| Length | 2.8 mm |
| Thickness | 0.8 mm |
| Hole Diameter | 1.3 |
| Standard | DIN46244 |
| Nut | Steel coated with zinc M8 UNI5589 DIN 936 |
| Washer | Diameter 8.4 White steel coated with zinc DIN 6798 |

| | | | | | | | | | | | | | | | |
|---|---|---|---|---|---|------------|---|---|---|---|---|---|---|---|---|
| <i>Metal bolt / quick fit execution</i> | C | 2 | 7 | - | - | C/D | 1 | - | - | - | - | A | A | - | - |
|---|---|---|---|---|---|------------|---|---|---|---|---|---|---|---|---|

| | | | | | | | | | | | | | | | |
|------------------------|---|---|---|---|---|----------|---|---|---|---|---|---|---|---|---|
| <i>Basic execution</i> | C | 2 | 7 | - | - | A | 1 | - | - | - | - | A | A | - | - |
|------------------------|---|---|---|---|---|----------|---|---|---|---|---|---|---|---|---|

C.27. SERIES Fast-on 2.8 mm with Slot

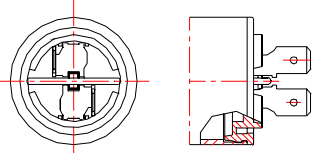


| TYPE OF TERMINAL | FAST ON 2.8 WITH SLOT (SOLDERING TERMINALS) |
|-------------------|--|
| Execution: | On request |
| Protection degree | IP00 |
| Wire material | Steel tinned by electrolysis |
| Length | 2.8 mm |
| Thickness | 0.8 mm |
| Slot a x b | 2.8 x 1.7 |
| Standard | DIN46244 |
| Nut | Steel coated with zinc M8 UNI5589 DIN 936 |
| Washer | Diameter 8.4 White steel coated with zinc DIN 6798 |

| | | | | | | | | | | | | | | | |
|---|---|---|---|---|---|------------|---|---|---|---|---|---|---|---|---|
| <i>Metal bolt / quick fit execution</i> | C | 2 | 7 | - | - | C/D | 4 | - | - | - | - | A | A | - | - |
|---|---|---|---|---|---|------------|---|---|---|---|---|---|---|---|---|

| | | | | | | | | | | | | | | | |
|------------------------|---|---|---|---|---|----------|---|---|---|---|---|---|---|---|---|
| <i>Basic execution</i> | C | 2 | 7 | - | - | A | 4 | - | - | - | - | A | A | - | - |
|------------------------|---|---|---|---|---|----------|---|---|---|---|---|---|---|---|---|

C.27. SERIES Single Fast-on 6.3 mm

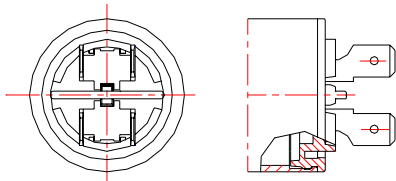


| TERMINAL | FAST-ON 6.3 (SINGLE) |
|-------------------|--|
| Execution: | Standard |
| Protection degree | IP00 |
| Wire material | Steel tinned by electrolysis |
| Length | 6.3 mm |
| Thickness | 0.8 mm |
| Standard | DIN46244 |
| Nut | Steel coated with zinc M8 UNI5589 DIN 936 |
| Washer | Diameter 8.4 White steel coated with zinc DIN 6798 |

| | | | | | | | | | | | | | | | |
|---|---|---|---|---|---|------------|----------|---|---|---|---|---|---|---|---|
| <i>Metal bolt / quick fit execution</i> | C | 2 | 7 | - | - | C/D | 2 | - | - | - | - | A | A | - | - |
|---|---|---|---|---|---|------------|----------|---|---|---|---|---|---|---|---|

| | | | | | | | | | | | | | | | |
|------------------------|---|---|---|---|---|----------|----------|---|---|---|---|---|---|---|---|
| <i>Basic execution</i> | C | 2 | 7 | - | - | A | 2 | - | - | - | - | A | A | - | - |
|------------------------|---|---|---|---|---|----------|----------|---|---|---|---|---|---|---|---|

C.27. SERIES Double Fast-on 6.3 mm

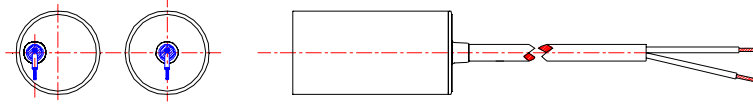


| TYPE OF TERMINAL | FAST-ON 6.3MM (DOUBLE) |
|-------------------|--|
| Execution: | Standard |
| Protection degree | IP00 |
| Wire material | Steel tinned by electrolysis |
| Length | 6.3 mm |
| Thickness | 0.8 mm |
| Standard | DIN46244 |
| Nut | Steel coated with zinc M8 UNI5589 DIN 936 |
| Washer | Diameter 8.4 White steel coated with zinc DIN 6798 |

| | | | | | | | | | | | | | | | |
|---|---|---|---|---|---|------------|----------|---|---|---|---|---|---|---|---|
| <i>Metal bolt / quick fit execution</i> | C | 2 | 7 | - | - | C/D | 3 | - | - | - | - | A | A | - | - |
|---|---|---|---|---|---|------------|----------|---|---|---|---|---|---|---|---|

| | | | | | | | | | | | | | | | |
|------------------------|---|---|---|---|---|----------|----------|---|---|---|---|---|---|---|---|
| <i>Basic execution</i> | C | 2 | 7 | - | - | A | 3 | - | - | - | - | A | A | - | - |
|------------------------|---|---|---|---|---|----------|----------|---|---|---|---|---|---|---|---|

C.27. SERIES Bipolar Cable Standard Execution



Cable mark : H05 V2 V2-F 90°C

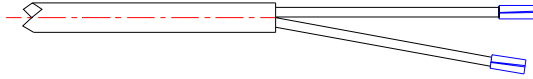
| | |
|-----------------------|--|
| TYPE | FLEXIBLE BIPOLAR CABLE FOR HIGH TEMPERATURE |
| Execution: | Standard |
| Protection degree | IP55 |
| Cable | PVC (Polyvinyl chloride) |
| Designation | H05V2V2-F |
| Standard | CEI 20 – 20 |
| Operating Temperature | 90 °C |
| Conductor | Flexible soft copper wire 2 x 0.75 sq.mm |
| Insulating | Polyvinyl chloride TI3 |
| Sleeve | Polyvinyl chloride TM3 |
| Conductors colour | Blue / Brown |
| Cable stripping. (Sg) | 40 mm |
| Cable peeling (Sp) | 8 mm |
| Finishing | Tinning |

| | | | | | | | | | | | | | | | | |
|---|---|---|---|---|---|-----|---|---|---|---|---|---|---|---|---|--|
| <i>Metal bolt / quick fit execution</i> | C | 2 | 7 | - | - | C/D | F | - | - | - | - | | | - | - | |
| Total length | | | | | | | | | | | | | | | | |
| S = 150 mm | | | | | | C/D | F | | | | | L | D | | | |
| S = 200 mm | | | | | | C/D | F | | | | | L | E | | | |
| S = 250 mm | | | | | | C/D | F | | | | | L | F | | | |
| S = 300 mm | | | | | | C/D | F | | | | | L | G | | | |
| S = 350 mm | | | | | | C/D | F | | | | | L | H | | | |
| S = 400 mm | | | | | | C/D | F | | | | | L | I | | | |

| | | | | | | | | | | | | | | | | |
|------------------------|---|---|---|---|---|---|---|---|---|---|---|---|---|---|---|--|
| <i>Basic execution</i> | C | 2 | 7 | - | - | A | F | - | - | - | - | | | - | - | |
| Total Length | | | | | | | | | | | | | | | | |
| S = 150 mm | | | | | | A | F | | | | | L | D | | | |
| S = 200 mm | | | | | | A | F | | | | | L | E | | | |
| S = 250 mm | | | | | | A | F | | | | | L | F | | | |
| S = 300 mm | | | | | | A | F | | | | | L | G | | | |
| S = 350 mm | | | | | | A | F | | | | | L | H | | | |
| S = 400 mm | | | | | | A | F | | | | | L | I | | | |

For applications requiring a specific termination, Arcotronics supplies a full range of capacitors with a bipolar cable provided with terminal. The material used (Brass – Cu Zn) provided with tinning (Gal Sn) determines the quality and reliability of the connections also in the case of very high temperatures (155°C).

C.27. SERIES Bipolar Cable Pin Terminals

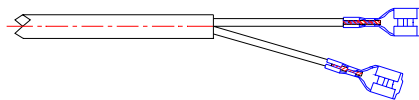


| | | | | | | | | | | | | | | |
|--------------------|--|--|--|--|--|--|--|--|--|--|--|--|--|--|
| TYPE | BIPOLAR CABLE WITH PIN TERMINAL | | | | | | | | | | | | | |
| Execution: | Special | | | | | | | | | | | | | |
| Cable unsheathing | 40 mm | | | | | | | | | | | | | |
| Terminations: | | | | | | | | | | | | | | |
| Point material | Cu Zn gal Sn | | | | | | | | | | | | | |
| Material thickness | 0.25 mm | | | | | | | | | | | | | |
| Terminal length | 7 mm | | | | | | | | | | | | | |

| | | | | | | | | | | | | | | | |
|---|---|---|---|---|---|-----|---|---|---|---|---|---|---|---|---|
| <i>Metal bolt / quick fit execution</i> | C | 2 | 7 | - | - | C/D | J | - | - | - | - | * | * | - | - |
| Total length S = 300 mm | | | | | | C/D | J | | | | | L | G | | |

| | | | | | | | | | | | | | | | |
|------------------------|---|---|---|---|---|---|---|---|---|---|---|---|---|---|---|
| <i>Basic execution</i> | C | 2 | 7 | - | - | A | J | - | - | - | - | * | * | - | - |
| Total length S = 300mm | | | | | | A | J | | | | | L | G | | |

C.27. SERIES Bipolar Cable Straight Fast-on 6.3 mm

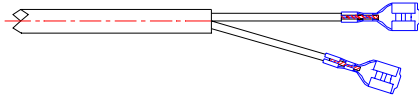


| | | | | | | | | | | | | | | |
|--------------------|--|--|--|--|--|--|--|--|--|--|--|--|--|--|
| TYPE | BIPOLAR CABLE WITH STRAIGHT FAST-ON 6.3 | | | | | | | | | | | | | |
| Execution: | Special | | | | | | | | | | | | | |
| Termination: | Straight Female Fast-on – 6.3 | | | | | | | | | | | | | |
| Cable stripping | 40 mm | | | | | | | | | | | | | |
| Fast – on material | Cu Zn gal Sn | | | | | | | | | | | | | |
| Material thickness | 0.42 mm | | | | | | | | | | | | | |
| Terminal length | 19.3 mm | | | | | | | | | | | | | |

| | | | | | | | | | | | | | | | |
|---|---|---|---|---|---|-----|---|---|---|---|---|---|---|---|---|
| <i>Metal bolt / quick fit execution</i> | C | 2 | 7 | - | - | C/D | H | - | - | - | - | * | * | - | - |
| Total length S = 300 mm | | | | | | C/D | H | | | | | L | G | | |

| | | | | | | | | | | | | | | | |
|-------------------------|---|---|---|---|---|---|---|---|---|---|---|---|---|---|---|
| <i>Basic execution</i> | C | 2 | 7 | - | - | A | H | - | - | - | - | * | * | - | - |
| Total length S = 300 mm | | | | | | A | H | | | | | L | G | | |

C.27. SERIES Bipolar Cable Straight Female Fast-on 4.8 mm

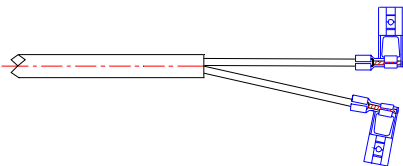


| | | | | | | | | | | | | | | |
|--------------------|---|--|--|--|--|--|--|--|--|--|--|--|--|--|
| TYPE | BIPOLAR CABLE WITH STRAIGHT FEMALE FAST-ON 4.8 | | | | | | | | | | | | | |
| Execution: | Special | | | | | | | | | | | | | |
| Termination: | Straight female fast-on – 4.8 | | | | | | | | | | | | | |
| Cable unsheathing | 40 mm | | | | | | | | | | | | | |
| Fast-on material | Cu Zn gal Sn | | | | | | | | | | | | | |
| Material thickness | 0.35 mm | | | | | | | | | | | | | |
| Terminal length | 15.6 mm | | | | | | | | | | | | | |

| | | | | | | | | | | | | | | | |
|---|---|---|---|---|---|-----|---|---|---|---|---|---|---|---|---|
| <i>Metal bolt / quick fit execution</i> | C | 2 | 7 | - | - | C/D | G | - | - | - | - | * | * | - | - |
| Total length S = 300 mm | | | | | | C/D | G | | | | | L | G | | |

| | | | | | | | | | | | | | | | |
|-------------------------|---|---|---|---|---|---|---|---|---|---|---|---|---|---|---|
| <i>Basic execution</i> | C | 2 | 7 | - | - | A | G | - | - | - | - | * | * | - | - |
| Total length S = 300 mm | | | | | | A | G | | | | | L | G | | |

C.27. SERIES Bipolar Cable Flag Female Fast-on 4.8 mm

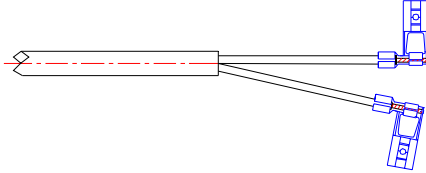


| | | | | | | | | | | | | | | |
|--------------------|---|--|--|--|--|--|--|--|--|--|--|--|--|--|
| TYPE | BIPOLAR CABLE WITH FEMALE FLAG FAST-ON 4.8 | | | | | | | | | | | | | |
| Execution: | Special | | | | | | | | | | | | | |
| Fast-on material | Cu Zn gal Sn | | | | | | | | | | | | | |
| Material thickness | 0.35 mm | | | | | | | | | | | | | |
| Terminal length | 12.5 mm | | | | | | | | | | | | | |

| | | | | | | | | | | | | | | | |
|---|---|---|---|---|---|-----|---|---|---|---|---|---|---|---|---|
| <i>Metal bolt / quick fit execution</i> | C | 2 | 7 | - | - | C/D | L | - | - | - | - | * | * | - | - |
| Total length S = 300 mm | | | | | | C/D | L | | | | | L | G | | |

| | | | | | | | | | | | | | | | |
|-------------------------|---|---|---|---|---|---|---|---|---|---|---|---|---|---|---|
| <i>Basic execution</i> | C | 2 | 7 | - | - | A | L | - | - | - | - | * | * | - | - |
| Total length S = 300 mm | | | | | | A | L | | | | | L | G | | |

C.27. SERIES Bipolar Cable Flag Female Fast-on 6.3 mm

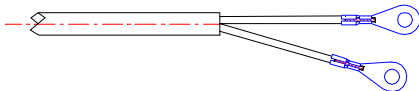


| | | | | | | | | | | | | | | |
|--------------------|---|--|--|--|--|--|--|--|--|--|--|--|--|--|
| TYPE | BIPOLAR CABLE WITH FEMALE FLAG FAST-ON A 6.3 | | | | | | | | | | | | | |
| Execution: | Special | | | | | | | | | | | | | |
| Fast-on material | Cu Zn gal Sn | | | | | | | | | | | | | |
| Material thickness | 0.35 mm | | | | | | | | | | | | | |
| Terminal length | 12.5 mm | | | | | | | | | | | | | |

| | | | | | | | | | | | | | | | |
|---|---|---|---|---|---|-----|---|---|---|---|---|---|---|---|---|
| <i>Metal bolt / quick fit execution</i> | C | 2 | 7 | - | - | C/D | K | - | - | - | - | * | * | - | - |
| Total length S = 300 mm | | | | | | C/D | K | | | | | L | G | | |

| | | | | | | | | | | | | | | | |
|-------------------------|---|---|---|---|---|---|---|---|---|---|---|---|---|---|---|
| <i>Basic execution</i> | C | 2 | 7 | - | - | A | K | - | - | - | - | * | * | - | - |
| Total length S = 300 mm | | | | | | A | K | | | | | L | G | | |

C.27. SERIES Bipolar Cable Ring Terminals M4



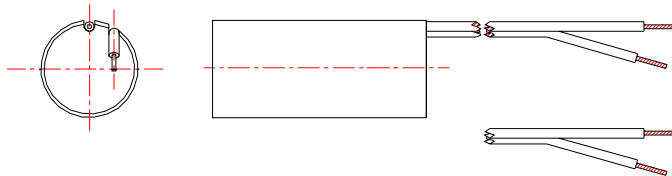
| | | | | | | | | | | | | | | |
|--------------------|--|--|--|--|--|--|--|--|--|--|--|--|--|--|
| TYPE | BIPOLAR CABLE WITH RING TERMINAL M4 | | | | | | | | | | | | | |
| Execution: | Special | | | | | | | | | | | | | |
| Terminal material | Cu Zn gal Sn | | | | | | | | | | | | | |
| Material thickness | 0.40 mm | | | | | | | | | | | | | |
| Ring diameter | 4 mm | | | | | | | | | | | | | |

| | | | | | | | | | | | | | | | |
|---|---|---|---|---|---|-----|---|---|---|---|---|---|---|---|---|
| <i>Metal bolt / quick fit execution</i> | C | 2 | 7 | - | - | C/D | I | - | - | - | - | * | * | - | - |
| Total length S=300 mm | | | | | | C/D | I | | | | | L | G | | |

| | | | | | | | | | | | | | | | |
|------------------------|---|---|---|---|---|---|---|---|---|---|---|---|---|---|---|
| <i>Basic execution</i> | C | 2 | 7 | - | - | A | I | - | - | - | - | * | * | - | - |
| Total length S=300mm | | | | | | A | I | | | | | L | G | | |

The range of capacitors belonging to C.27 series with a PVC unipolar cable has been specifically designed for applications in circulators and pumps fields. The cable is harmonised according to CEI 20-20 standards (CENELEC HD21) for an operating temperature of 90°C, but assures a maximum temperature up to 105°C.

C.27. SERIES Unipolar Cable Flexible

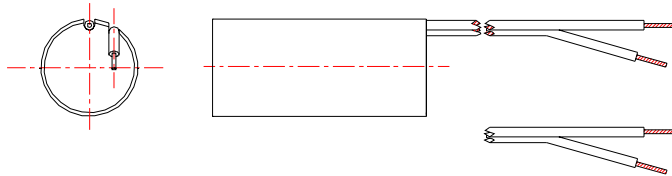


| | |
|---------------------------|---|
| TYPE | PVC INSULATED UNIPOLAR CABLE, WITHOUT SLEEVE FOR HIGH TEMPERATURES |
| Execution: | Standard |
| Protection degree | IP55 |
| Cable | PVC (Polyvinyl chloride) |
| Designation | H05V2-U |
| Standard | CEI 20 – 20 |
| Operating temperature | 90 °C |
| Conductor | FLEXIBLE SOFT COPPER WIRE |
| Section | 0.75 sq.mm |
| Insulating | Good quality Polyvinyl chloride T13 |
| Insulating: Ext. diameter | 2.4 mm (±0.2) |
| Sleeve | Absent |
| Conductor colour | White |
| Rated voltage | 300 / 500 V |
| Cable unsheathing | 8 mm |
| Finishing | Tinning |

| | | | | | | | | | | | | | | | |
|---|---|---|---|---|---|-----|---|---|---|---|---|---|---|---|---|
| <i>Metal bolt / quick fit execution</i> | C | 2 | 7 | - | - | C/D | | - | - | - | - | * | * | - | - |
| S = 100 mm | | | | | | | A | | | | | A | C | | |
| S = 150 mm | | | | | | | A | | | | | A | D | | |
| S = 200 mm | | | | | | | A | | | | | A | E | | |

| | | | | | | | | | | | | | | | |
|------------------------|---|---|---|---|---|---|---|---|---|---|---|---|---|---|---|
| <i>Basic execution</i> | C | 2 | 7 | - | - | A | | - | - | - | - | * | * | - | - |
| S = 100 mm | | | | | | | A | | | | | A | C | | |
| S = 150 mm | | | | | | | A | | | | | A | D | | |
| S = 200 mm | | | | | | | A | | | | | A | E | | |

C.27 SERIES. Unipolar Cable Stiff Wires



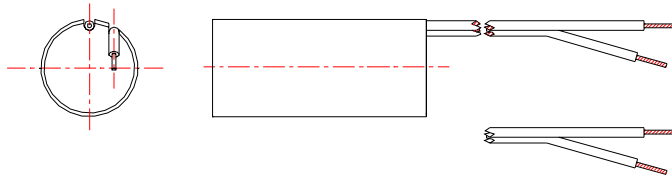
| | |
|---------------------------|---|
| TYPE | PVC INSULATED UNIPOLAR CABLE, WITHOUT SLEEVE FOR HIGH TEMPERATURES |
| Execution: | Standard |
| Protection degree | IP55 |
| Cable | PVC (Polyvinyl chloride) |
| Designation | H05V2-U |
| Standard | CEI 20 – 20 |
| Operating temperature | 90 °C |
| Conductor | SINGLE SOFT COPPER WIRE |
| Section | 0.75 sq.mm |
| Insulating | Good quality Polyvinyl chloride TI3 |
| Insulating: ext. diameter | 2.3 mm (±0.2) |
| Sleeve | Absent |
| Conductors colour | White |
| Rated voltage | 300 / 500 V |
| Cable unsheathing | 8 mm |
| Cable: Minimum length | 60 mm |
| Cable: Maximum length | 250mm |

| | | | | | | | | | | | | | | | |
|---|---|---|---|---|---|-----|---|---|---|---|---|---|---|---|---|
| <i>Metal bolt / quick fit execution</i> | C | 2 | 7 | - | - | C/D | | - | - | - | - | * | * | - | - |
| Total length S = 100 mm | | | | | | C/D | R | | | | | A | C | | |
| S = 150 mm | | | | | | C/D | R | | | | | A | D | | |

| | | | | | | | | | | | | | | | |
|-------------------------|---|---|---|---|---|---|---|---|---|---|---|---|---|---|---|
| <i>Basic execution</i> | C | 2 | 7 | - | - | A | | - | - | - | - | * | * | - | - |
| Total length S = 100 mm | | | | | | A | R | | | | | A | C | | |
| S = 150 mm | | | | | | A | R | | | | | A | D | | |

Unipolar Cable Flexible High Temperature

The range of high temperature capacitors HT has been specifically designed for applications where a long life must be assured with high temperatures i.e. for circulators pumps. The capacitors have been approved by VDE in compliance with EN60252 standard for a maximum operating temperature up to 100°C, the expected life at 100 °C @ 400 Vac is 10000 H.



| | |
|------------------------|---|
| Operating Temperature: | |
| Minimum / Maximum | -25°C / + 100°C |
| Expected Life | 10000 H (CLASS B) at 400 Vac 100 °C 10000 H (CLASS B) at 470 Vac 85 °C 30000 H (CLASS A) at 420 Vac 85 °C |
| Approval: | EN60252 (VDE) |
| Capacitance: | from 1 to 9 μ F |
| Standard execution: | PVC Stiff Cable |
| Type of cable | as for |

| | | | | | | | | | | | | | | | |
|------------------------|---|---|---|---|---|-------|---|---|---|---|---|---|---|---|---|
| <i>Basic execution</i> | C | 2 | 7 | 4 | E | * | A | - | - | - | - | * | * | - | - |
| S = 100 mm | | | | | | A/C/D | A | | | | | A | C | | |
| S = 150 mm | | | | | | A/C/D | A | | | | | A | D | | |
| S = 200 mm | | | | | | A/C/D | A | | | | | A | E | | |

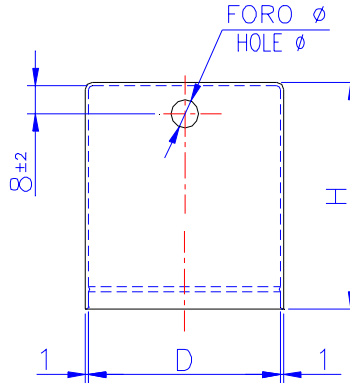
| CAP. | dv/dt Max | Diameter | Height |
|------|-----------|----------|--------|
| μF | V/μs | φ | H |
| 1 | 20 | 25 | 48 |
| 1.5 | 20 | 25 | 48 |
| 2 | 20 | 25 | 48 |
| 2.5 | 20 | 25 | 48 |
| 3 | 20 | 25 | 48 |
| 3.5 | 20 | 30 | 55 |
| 4 | 20 | 30 | 55 |
| 4.5 | 20 | 30 | 55 |
| 5 | 20 | 30 | 55 |
| 6 | 20 | 35 | 55 |
| 6.3 | 20 | 35 | 55 |
| 7 | 20 | 35 | 55 |
| 8 | 20 | 35 | 55 |

ACCESSORIES PLASTIC PROTECTION CAPACITORS:

Mechanical features

| | | |
|-------------------|---|-----------------------------------|
| Protection degree | ⇒ | IP40 |
| Material | ⇒ | Eva Novex V22 H864 (Polyethylene) |
| Selfextinguishing | ⇒ | HB |
| Colour | ⇒ | Natural |

Mechanical drawing



| D (mm) | H (mm) | HOLE Ø (mm) | CODE |
|--------|--------|-------------|----------------|
| 25 | 41 | 6 | 20.151.0079.00 |
| 25 | 41 | 8 | 20.151.0022.00 |
| 25 | 41 | 9 | 20.151.0081.00 |
| 30 | 40 | 6 | 20.151.0077.00 |
| 30 | 40 | 8 | 20.151.0023.00 |
| 30 | 65 | 8 | 20.151.0084.00 |
| 30 | 40 | 9 | 20.151.0082.00 |
| 30 | 40 | 10 | 20.151.0083.00 |
| 35 | 40 | 6 | 20.151.0078.00 |
| 35 | 40 | 8 | 20.151.0024.00 |
| 35 | 65 | 8 | 20.151.0085.00 |
| 35 | 40 | 10 | 20.151.0025.00 |
| 35 | 40 | 12 | 20.151.0026.00 |
| 40 | 50 | 6 | 20.151.0030.00 |
| 40 | 50 | 8 | 20.151.0033.00 |
| 40 | 50 | 10 | 20.151.0075.00 |
| 40 | 50 | 12 | 20.151.0035.00 |
| 45 | 50 | 6 | 20.151.0037.00 |
| 45 | 50 | 8 | 20.151.0040.00 |
| 45 | 50 | 10 | 20.151.0076.00 |
| 45 | 50 | 12 | 20.151.0042.00 |
| 50 | 65 | 8 | 20.151.0088.00 |
| 50 | 65 | 8 | 20.151.0089.00 |

C.27 SERIES – OPTIONS

| Series | Fixing | Execution | Rated Cap. (from, to) μF | Diameter mm | Height mm |
|---------------|---------------|--------------------------------|---|------------------------|----------------------|
| C.27/4 | Bolt | Bipolar cable (unipolar cable) | 3.5 to 5 | 25 | 71.5 (69.5) |
| C.27/4 | Bolt | Bipolar cable (unipolar cable) | 6 to 8 | 30 | 71.5 (69.5) |
| C.27/4 | Bolt | Bipolar cable (unipolar cable) | 14 to 16 | 35 | 95.5 (93.5) |
| C.27/4 | Bolt | Bipolar cable (unipolar cable) | 18 to 22 | 40 | 95.5 (93.5) |
| C.27/4 | Bolt | Bipolar cable (unipolar cable) | 35 | 50 | 95.5 (93.5) |
| C.27/4 | Without bolt | Bipolar cable (unipolar cable) | 3.5 to 5 | 25 | 71.5 (69.5) |
| C.27/4 | Without bolt | Bipolar cable (unipolar cable) | 6 to 8 | 30 | 71.5 (69.5) |
| C.27/4 | Without bolt | Bipolar cable (unipolar cable) | 14 to 16 | 35 | 95.5 (93.5) |
| C.27/4 | Without bolt | Bipolar cable (unipolar cable) | 18 to 22 | 40 | 95.5 (93.5) |
| C.27/4 | Without bolt | Bipolar cable (unipolar cable) | 35 | 50 | 120 (119.5) |
| C.27/6 | Bolt | Bipolar cable (unipolar cable) | 3.5 to 5 | 25 | 71.5 (69.5) |
| C.27/6 | Bolt | Bipolar cable (unipolar cable) | 6 to 8 | 30 | 71.5 (69.5) |
| C.27/6 | Bolt | Bipolar cable (unipolar cable) | 14 to 16 | 35 | 95.5 (95.5) |
| C.27/6 | Bolt | Bipolar cable (unipolar cable) | 18 to 22 | 40 | 95.5 (95.5) |
| C.27/6 | Without bolt | Bipolar cable (unipolar cable) | 3.5 to 5 | 25 | 71.5 (69.5) |
| C.27/6 | Without bolt | Bipolar cable (unipolar cable) | 6 to 8 | 30 | 71.5 (69.5) |
| C.27/6 | Without bolt | Bipolar cable (unipolar cable) | 14 to 16 | 35 | 95.5 (95.5) |
| C.27/6 | Without bolt | Bipolar cable (unipolar cable) | 18 to 22 | 40 | 95.5 (95.5) |
| C.27/7 | Bolt | Bipolar cable (unipolar cable) | 6 to 10 | 25 | 71.5 (69.5) |
| C.27/7 | Bolt | Bipolar cable (unipolar cable) | 12 to 14 | 30 | 71.5 (69.5) |
| C.27/7 | Bolt | Bipolar cable (unipolar cable) | 25 to 30 | 35 | 95.5 (93.5) |
| C.27/7 | Bolt | Bipolar cable (unipolar cable) | 31.5 to 35 | 40 | 95.5 (93.5) |
| C.27/7 | Without bolt | Bipolar cable (unipolar cable) | 6 to 10 | 25 | 71.5 (69.5) |
| C.27/7 | Without bolt | Bipolar cable (unipolar cable) | 12 to 14 | 30 | 71.5 (69.5) |
| C.27/7 | Without bolt | Bipolar cable (unipolar cable) | 25 to 30 | 35 | 95.5 (93.5) |
| C.27/7 | Without bolt | Bipolar cable (unipolar cable) | 31.5 to 35 | 40 | 95.5 (93.5) |