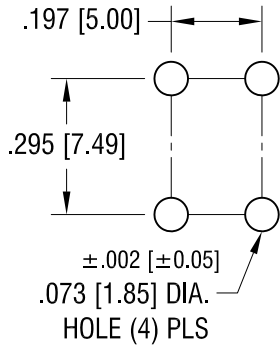
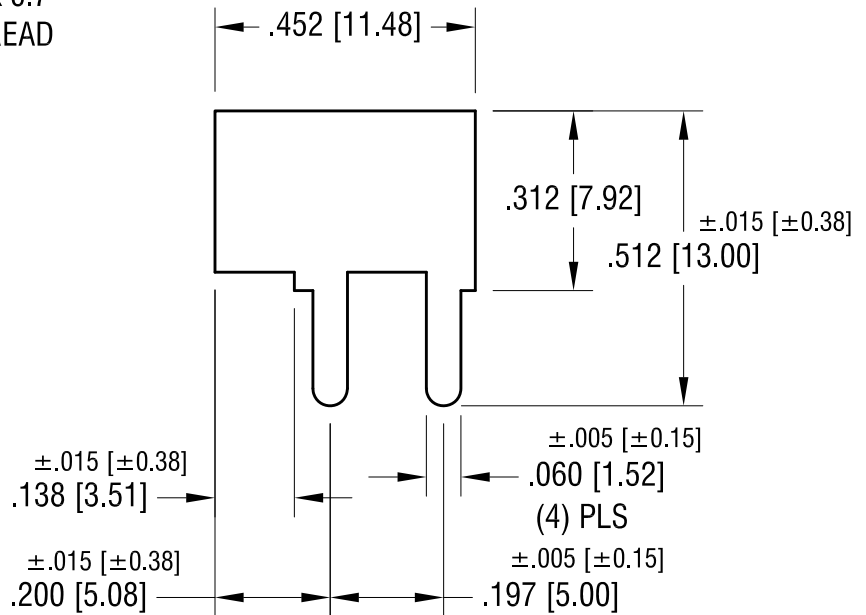
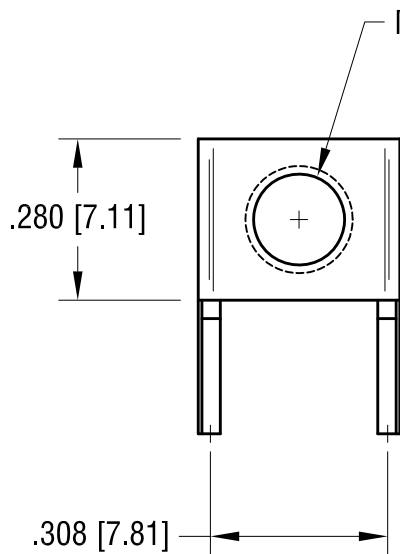
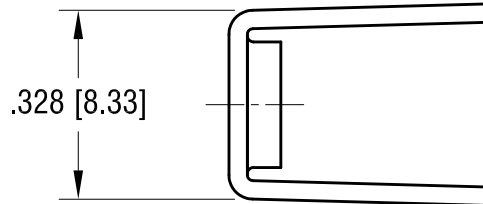
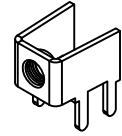


THIS DOCUMENT IS THE PROPERTY OF  
KEYSTONE ELECTRONICS CORP. AND  
SHALL NOT BE REPRODUCED, DISTRIBUTED  
OR USED AS A BASIS FOR MANUFACTURE  
WITHOUT PRIOR WRITTEN PERMISSION  
FROM KEYSTONE ELECTRONICS CORP.

**MOUNTING DETAIL**



**ACTUAL SIZE**



1.14.16	CHANGE AS PER ECN 16-004	A
DATE	DESCRIPTION	REV.

<b>KEYSTONE ELECTRONICS CORP.</b>			
www.keyelco.com • ASTORIA, N.Y. 11105-2017 • Tel (718) 956-8900			
PART NAME		PC SCREW TERMINAL	
MATERIAL		.032 [0.81] TH'K BRASS	
FINISH		DRN BY	DATE
MATTE TIN PLATE		NT	4.15.11
		APP'D	SCALE
		LN	3X
TOLERANCES	INCH [MM]	CODE	DWG NO.
DECIMAL	±.010 [±0.25]	C	<b>7764</b>
ANGULAR	± 1°		
UNLESS OTHERWISE SPECIFIED			