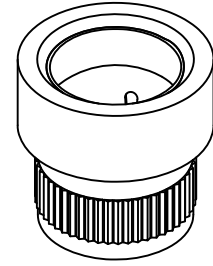
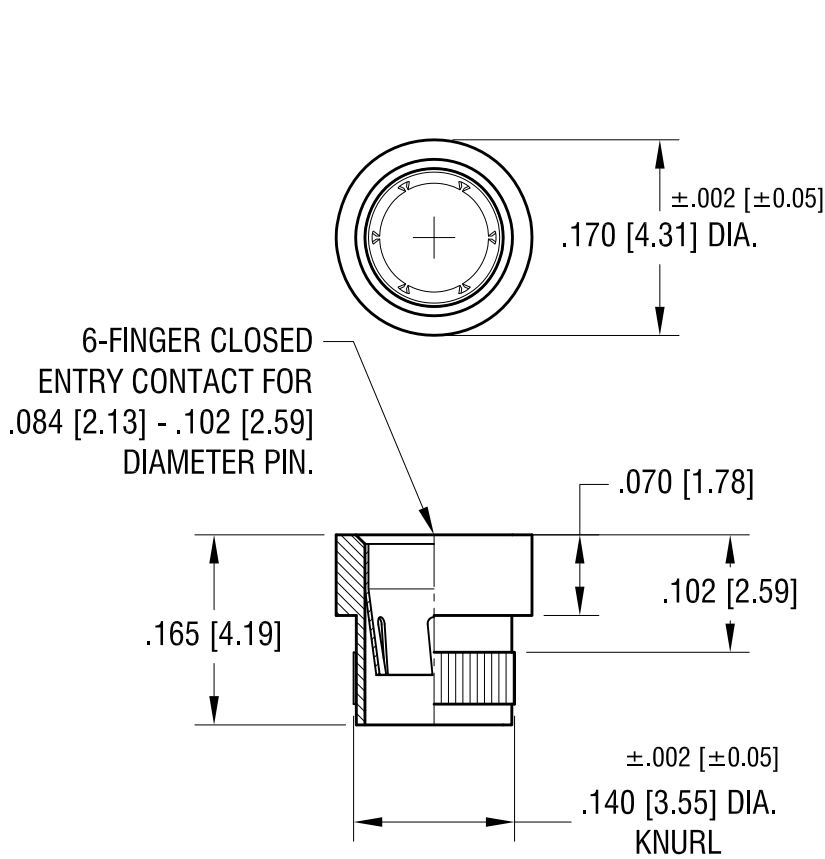


THIS DOCUMENT IS THE PROPERTY OF
KEYSTONE ELECTRONICS CORP. AND
SHALL NOT BE REPRODUCED, DISTRIBUTED
OR USED AS A BASIS FOR MANUFACTURE
WITHOUT PRIOR WRITTEN PERMISSION
FROM KEYSTONE ELECTRONICS CORP.



NOTES:

1. BODY: MAT'L - BRASS
SPRING CONTACT: MAT'L - BERYLLIUM COPPER
2. MOUNTING HOLE DIA.: .138 [3.51]

PART NO.	BODY FINISH	CONTACT FINISH
1640A	GOLD PLATE	GOLD PLATE
1640B	TIN / LEAD PLATE	TIN / LEAD PLATE
1640C	TIN / LEAD PLATE	GOLD PLATE

KEYSTONE ELECTRONICS CORP.			
www.keyelco.com • ASTORIA, N.Y. 11105-2017 • Tel (718) 956-8900			
PART NAME			
MICRO JACK, PRESS-FIT			
MATERIAL			
AS NOTED			
FINISH		DRN BY	DATE
AS NOTED		NT	8.05.08
		APP'D	SCALE
		LN	6X
TOLERANCES	INCH [MM]	CODE	DWG NO.
DECIMAL	± .005 [± 0.13]	C/M	1640A - 1640C
ANGULAR	± 1°		
UNLESS OTHERWISE SPECIFIED			

2.28.12	CHANGE AS PER ECN 12-026	A
DATE	DESCRIPTION	REV.