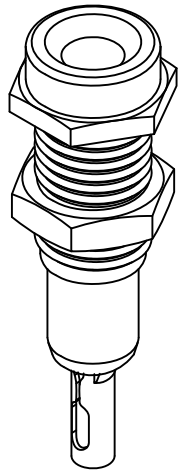
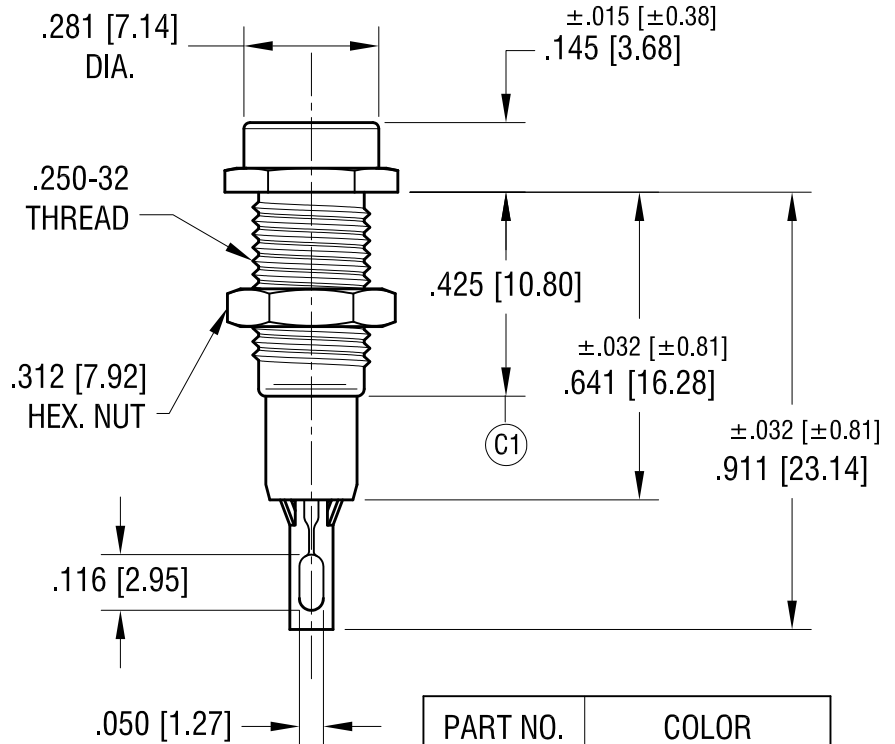
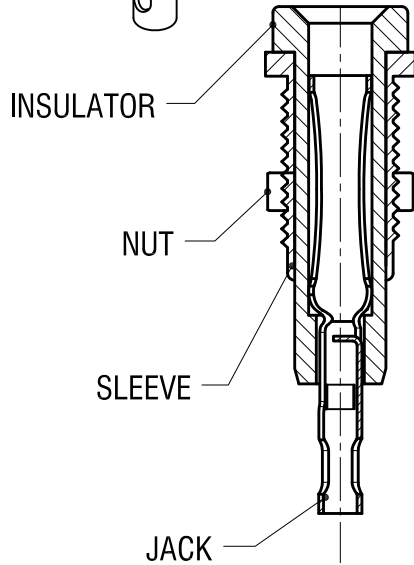
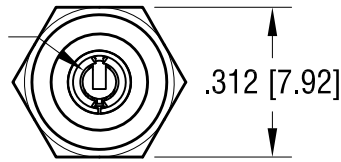


THIS DOCUMENT IS THE PROPERTY OF  
KEYSTONE ELECTRONICS CORP. AND  
SHALL NOT BE REPRODUCED, DISTRIBUTED  
OR USED AS A BASIS FOR MANUFACTURE  
WITHOUT PRIOR WRITTEN PERMISSION  
FROM KEYSTONE ELECTRONICS CORP.



SPRING CONTACT TO  
ACCEPT .080 [2.03]  
DIA. PIN



**RATINGS:**

CURRENT: 10 AMPS  
BREAKDOWN VOLTAGE: 5700 V RMS  
CONTACT RESISTANCE: 0.010 OHMS MAX.  
CONTACT-TO-PANEL C: 2 pF NOMINAL

**NOTES:**

**1. CONTACT:**

MAT'L - PHOSPHOR BRONZE  
SILVER PLATE

**BODY:**

MAT'L - NYLON 6/6 PER ASTM D4066

**2. SHELL, NUT: BRASS, NICKEL PLATE.  
HARDWARE SUPPLIED  
UNASSEMBLED.**

PART NO.	COLOR
6024	WHITE
6025	RED
6026	BLACK
6027	GREEN
6028	YELLOW
6029	BLUE

DATE	DESCRIPTION	REV.
3.01.16	ECN 16-034, C1 WAS .395	C
9.26.11	CHANGE AS PER ECN 11-127	B
2.5.03	CHANGE AS PER ECN 03-012	A

**KEYSTONE ELECTRONICS CORP.**  
www.keyelco.com • ASTORIA, N.Y. 11105-2017 • Tel (718) 956-8900

PART NAME: **INSULATED METAL-CLAD TIP JACK**

MATERIAL: **AS NOTED**

FINISH: **AS NOTED**

TOLERANCES INCH [MM]  
DECIMAL ± .005 [± 0.13]  
ANGULAR ± 1°  
UNLESS OTHERWISE SPECIFIED

CODE: **C**

DRN BY: **BOONE** DATE: **12.7.82**  
APP'D: **LN** SCALE: **2.5X**

DWG NO.: **6024-6029**