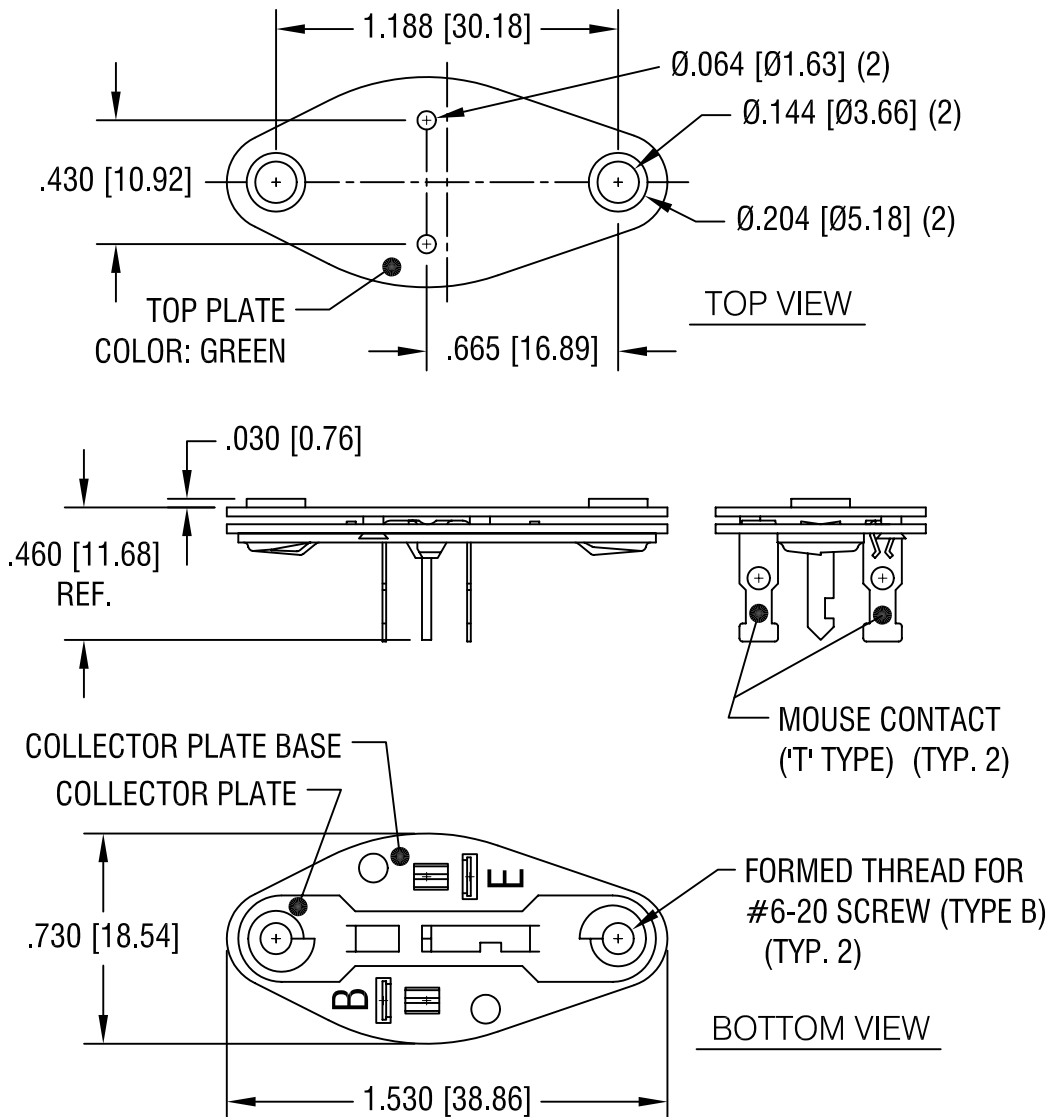


THIS DOCUMENT IS THE PROPERTY OF
KEYSTONE ELECTRONICS CORP. AND
SHALL NOT BE REPRODUCED, DISTRIBUTED
OR USED AS A BASIS FOR MANUFACTURE
WITHOUT PRIOR WRITTEN PERMISSION
FROM KEYSTONE ELECTRONICS CORP.



NOTES:

- TOP PLATE: COLOR - GREEN
MAT'L - NYLON 6/6 UL 94V-2
- COLLECTOR PLATE BASE:
MAT'L - .032 [0.81] TH'K PHENOLIC
- COLLECTOR PLATE:
MAT'L - .032 [0.81] TH'K STEEL
FINISH - TIN PLATE
- MOUSE CONTACT ('T' TYPE):
MAT'L - .013 [0.33] TH'K BRASS
FINISH - TIN PLATE

10.1.03	CHANGE AS PER ECN 03-071	A
---------	--------------------------	---

DATE	DESCRIPTION	REV.
------	-------------	------

KEYSTONE ELECTRONICS CORP.			
ASTORIA, N.Y. 11105-2017			
PART NAME			
TO-3 POWER TRANSISTOR SOCKET			
MATERIAL			
AS NOTED			
FINISH		DRN BY	DATE
AS NOTED		BOONE	4.26.82
		APPD	SCALE
		LN	1.5X
TOLERANCES	INCH	[MM]	CODE
DECIMAL	± .005	[± 0.15]	C
ANGULAR	± 1°		
UNLESS OTHERWISE SPECIFIED			DWG NO.
			4603