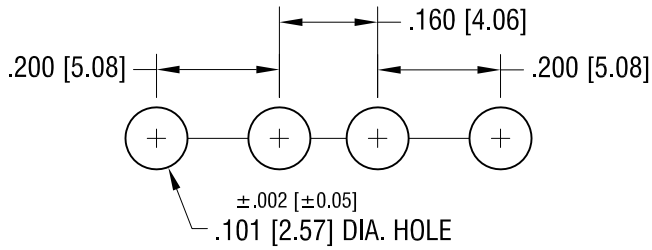
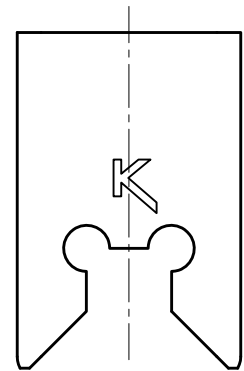
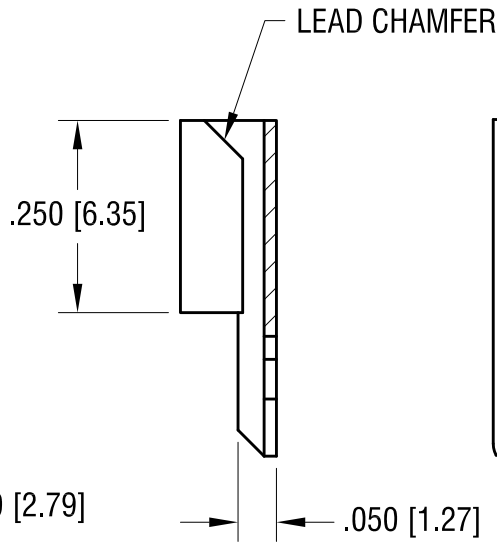
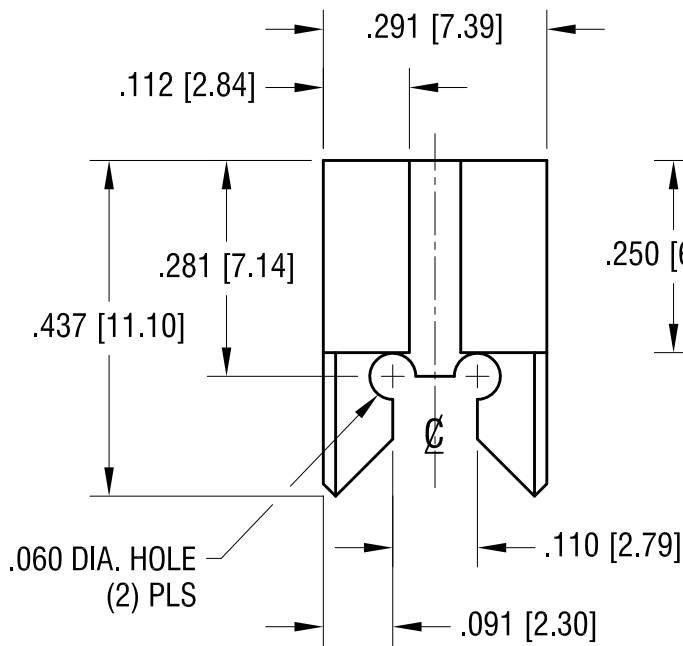
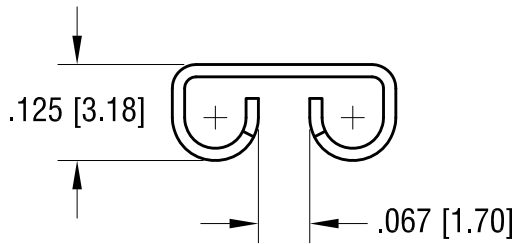
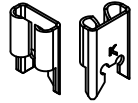


THIS DOCUMENT IS THE PROPERTY OF KEYSTONE ELECTRONICS CORP. AND SHALL NOT BE REPRODUCED, DISTRIBUTED OR USED AS A BASIS FOR MANUFACTURE WITHOUT PRIOR WRITTEN PERMISSION FROM KEYSTONE ELECTRONICS CORP.

**MOUNTING LAYOUT FOR TWO CLIPS**



**ACTUAL SIZE**



8.30.12	CHANGE AS PER ECN 12-121	D
9.23.04	ECN CHANGE AS PER 04-127	C
10.11.94	CHANGE AS PER ECR 94-057	B
DATE	DESCRIPTION	REV.

<b>KEYSTONE ELECTRONICS CORP.</b>			
www.keyelco.com • ASTORIA, N.Y. 11105-2017 • Tel (718) 956-8900			
PART NAME <b>.250 x .032 PC QUICK-FIT TERMINAL</b>			
MATERIAL <b>.016 [0.40] TH'K BRASS</b>			
FINISH <b>TIN NICKEL PLATE</b>		DRN BY <b>BOONE</b>	DATE <b>7.24.91</b>
		APP'D <b>LN</b>	SCALE <b>4X</b>
TOLERANCES	INCH [MM]	CODE	DWG NO.
DECIMAL	$\pm .005$ [ $\pm 0.15$ ]	<b>C</b>	<b>3528</b>
ANGULAR	$\pm 1^\circ$		
UNLESS OTHERWISE SPECIFIED			