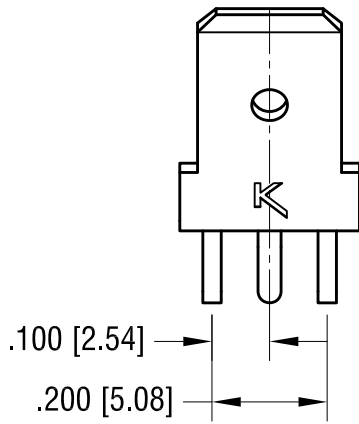
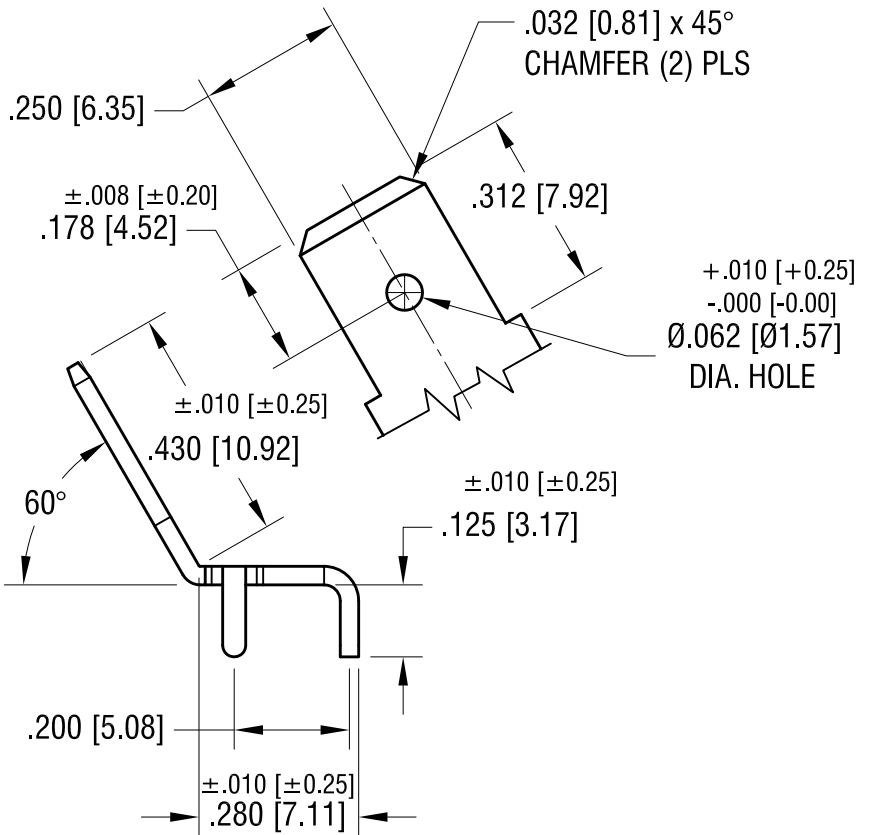
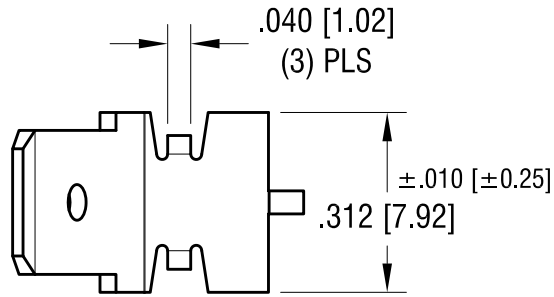
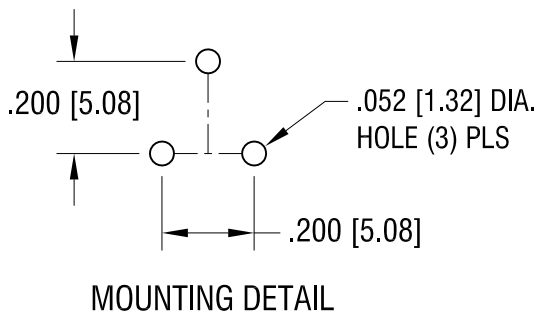
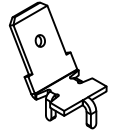


THIS DOCUMENT IS THE PROPERTY OF KEYSTONE ELECTRONICS CORP. AND SHALL NOT BE REPRODUCED, DISTRIBUTED OR USED AS A BASIS FOR MANUFACTURE WITHOUT PRIOR WRITTEN PERMISSION FROM KEYSTONE ELECTRONICS CORP.

ACTUAL SIZE



KEYSTONE ELECTRONICS CORP.			
www.keyelco.com • ASTORIA, N.Y. 11105-2017 • Tel (718) 956-8900			
PART NAME			
.250 [6.35] PC QUICK-FIT TERMINAL			
MATERIAL			
.032 [0.81] TH'K BRASS			
FINISH		DRN BY	DATE
MATTE TIN PLATE		NT	1.08.09
		APP'D	SCALE
		LN	3X
TOLERANCES	INCH [MM]	CODE	DWG NO.
DECIMAL	± .005 [± 0.15]	C	4912
ANGULAR	± 1°		
UNLESS OTHERWISE SPECIFIED			

8.31.12	CHANGE AS PER ECN 12-124	C
5.16.12	CHANGE AS PER ECN 12-066	B
6.10.09	CHANGE AS PER ECN 09-063	A
DATE	DESCRIPTION	REV.