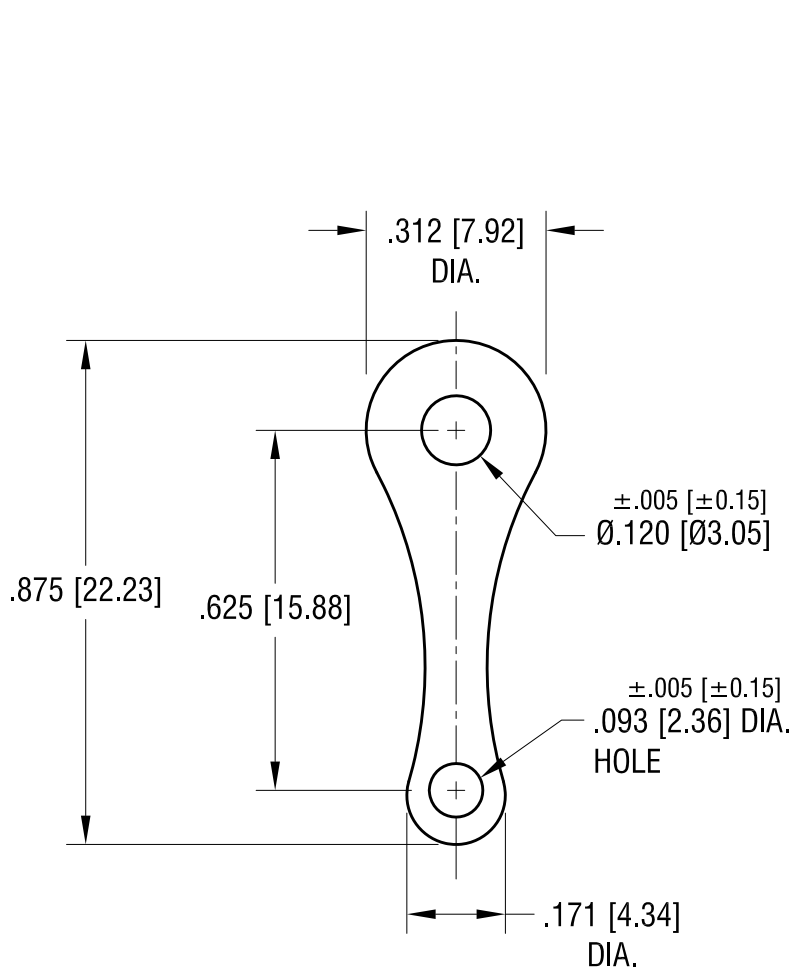


THIS DOCUMENT IS THE PROPERTY OF
KEYSTONE ELECTRONICS CORP. AND
SHALL NOT BE REPRODUCED, DISTRIBUTED
OR USED AS A BASIS FOR MANUFACTURE
WITHOUT PRIOR WRITTEN PERMISSION
FROM KEYSTONE ELECTRONICS CORP.



KEYSTONE ELECTRONICS CORP.

www.keyelco.com • ASTORIA, N.Y. 11105-2017 • Tel (718) 956-8900

PART NAME

SOLDER TERMINAL LUG

MATERIAL

.020 [0.50] TH'K BRASS

FINISH

MATTE TIN PLATE

DRN BY

BOONE

DATE

10.17.01

APP'D

LN

SCALE

3X

TOLERANCES

INCH [MM]

DECIMAL

± .015 [± 0.38]

CODE

ANGULAR

± 1°

UNLESS OTHERWISE SPECIFIED

DWG NO.

7331

10.13.09 CHANGE AS PER ECN 09-145

B

6.25.09 CHANGE AS PER ECN 09-081

A

DATE

DESCRIPTION

REV.

C