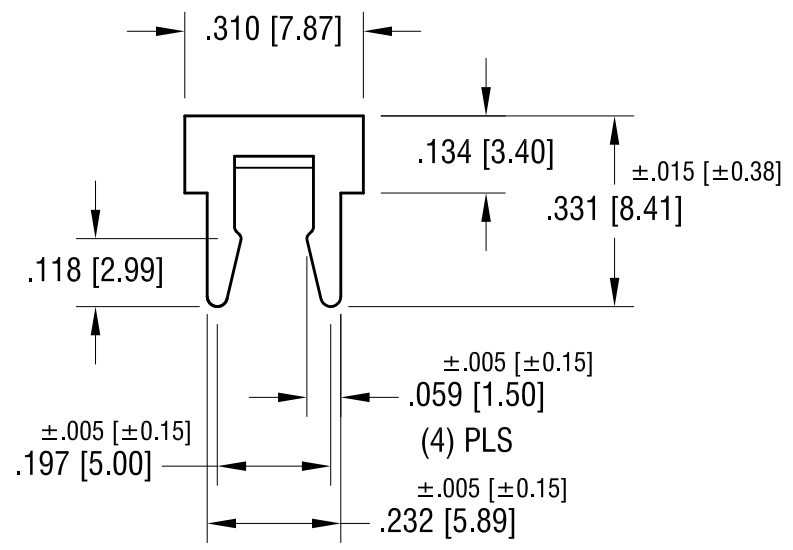
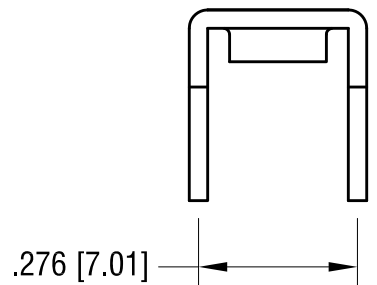
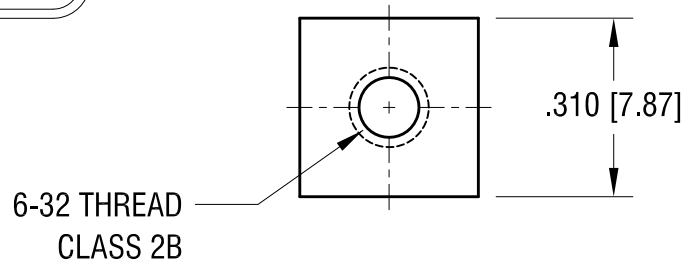
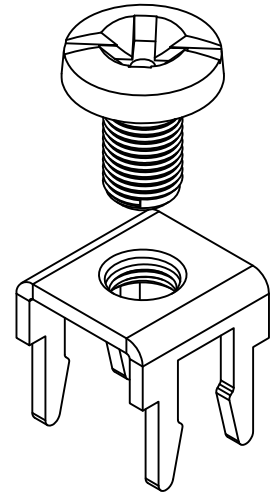
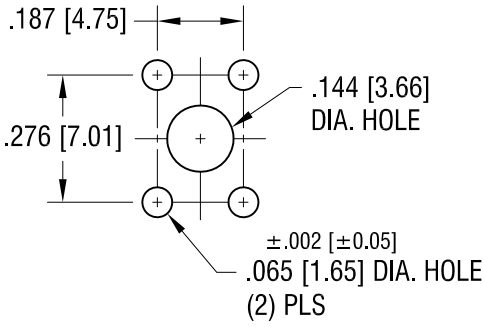


THIS DOCUMENT IS THE PROPERTY OF KEYSTONE ELECTRONICS CORP. AND SHALL NOT BE REPRODUCED, DISTRIBUTED OR USED AS A BASIS FOR MANUFACTURE WITHOUT PRIOR WRITTEN PERMISSION FROM KEYSTONE ELECTRONICS CORP.

MOUNTING DETAIL



NOTE:

- 1. TERMINAL:
 MAT'L - .032 [0.81] TH'K BRASS, MATTE TIN PLATE
- SCREW : ONE (1) 6-32 x 1/4 L., SUPPLIED LOOSE.
- MAT'L - BRASS, NICKEL PLATE

KEYSTONE ELECTRONICS CORP.			
www.keyelco.com • ASTORIA, N.Y. 11105-2017 • Tel (718) 956-8900			
PART NAME			
LOW-PROFILE PC SCREW TERMINAL			
MATERIAL			
AS NOTED			
FINISH	DRN BY	BOONE	DATE
AS NOTED	APP'D	LN	1.7.97
TOLERANCES	INCH	[MM]	SCALE
DECIMAL	± .010	[± 0.25]	3X
ANGULAR	± 1°		
UNLESS OTHERWISE SPECIFIED		CODE	DWG NO.
		C	8195

7.15.09	CHANGE AS PER ECN 09-102	D
12.31.07	CHANGE AS PER ECN 07-108	C
DATE	DESCRIPTION	REV.