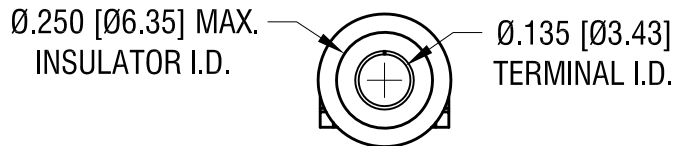
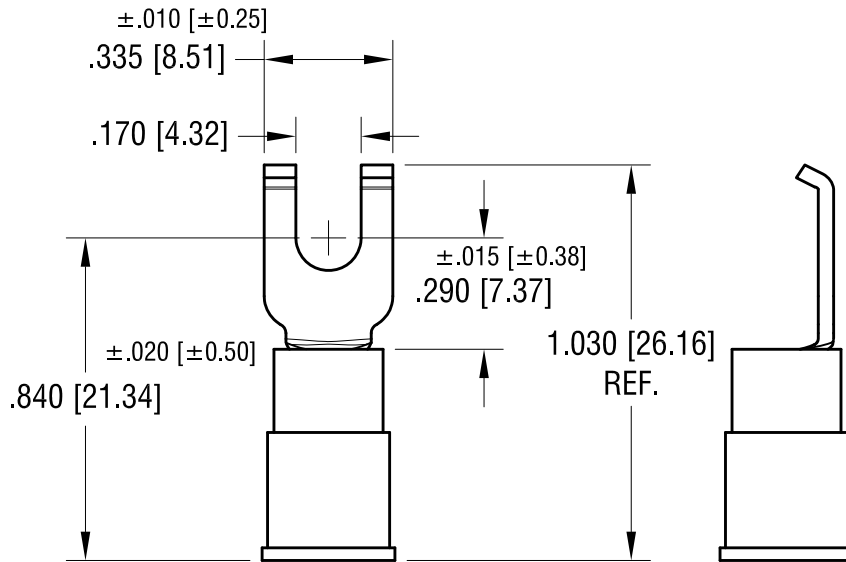
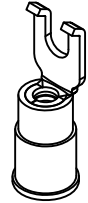


THIS DOCUMENT IS THE PROPERTY OF  
KEYSTONE ELECTRONICS CORP. AND  
SHALL NOT BE REPRODUCED, DISTRIBUTED  
OR USED AS A BASIS FOR MANUFACTURE  
WITHOUT PRIOR WRITTEN PERMISSION  
FROM KEYSTONE ELECTRONICS CORP.

ACTUAL SIZE



**NOTE:**

1. TERMINAL:  $.040$  [ $1.02$ ] TH'K COPPER, TIN PLATE  
INSULATOR: VINYL, YELLOW
2. ACCOMMODATES WIRE RANGE 12/10 AWG

**KEYSTONE ELECTRONICS CORP.**

www.keyelco.com • ASTORIA, N.Y. 11105-2017 • Tel (718) 956-8900

PART NAME  
**INSULATED FLANGED BLOCK SPADE TERMINAL**

MATERIAL  
**AS NOTED**

FINISH <b>AS NOTED</b>	DRN BY	BOONE	DATE	10.30.07
	APP'D	LN	SCALE	2X

4.15.09	CHANGE AS PER ECN 09-031	A
---------	--------------------------	---

TOLERANCES	INCH	[MM]	CODE	DWG NO.
DECIMAL	$\pm .005$	[ $\pm 0.13$ ]	C	8252
ANGULAR	$\pm 1^\circ$			
UNLESS OTHERWISE SPECIFIED				

DATE	DESCRIPTION	REV.
------	-------------	------