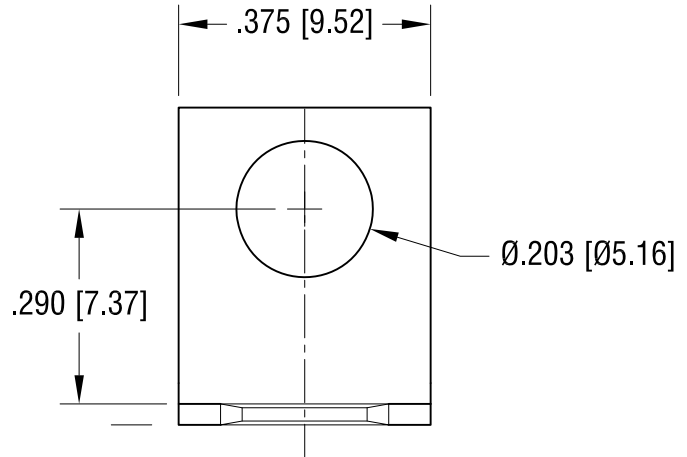
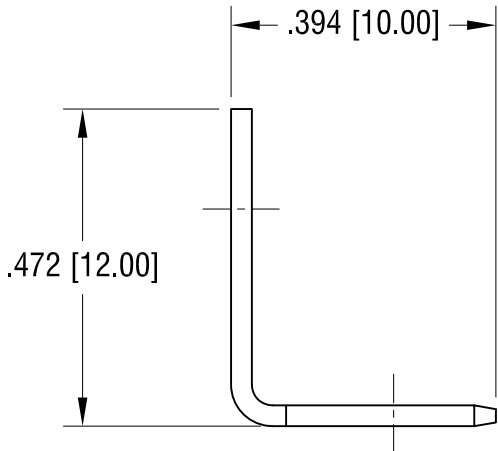
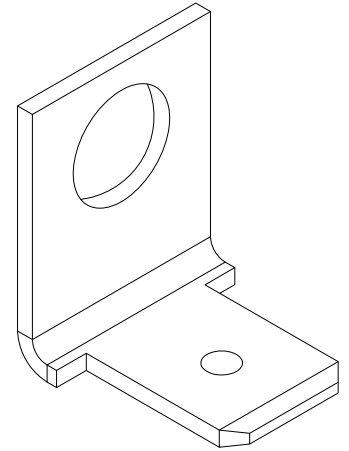
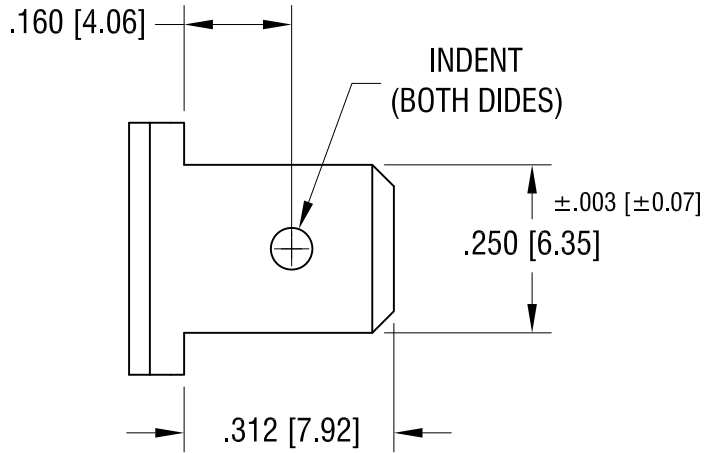


THIS DOCUMENT IS THE PROPERTY OF
KEYSTONE ELECTRONICS CORP. AND
SHALL NOT BE REPRODUCED, DISTRIBUTED
OR USED AS A BASIS FOR MANUFACTURE
WITHOUT PRIOR WRITTEN PERMISSION
FROM KEYSTONE ELECTRONICS CORP.



KEYSTONE ELECTRONICS CORP.

www.keyelco.com • ASTORIA, N.Y. 11105-2017 • Tel (718) 956-8900

PART NAME

QUICK-FIT TERMINAL

MATERIAL

.032 [0.81] TH'K BRASS

FINISH

MATTE TIN PLATE

DRN BY

NT

DATE

5.01.12

APP'D

LN

SCALE

3.5X

TOLERANCES

INCH [MM]

CODE

DWG NO.

DECIMAL ±.010 [± 0.25]

C

ANGULAR ± 1°
UNLESS OTHERWISE SPECIFIED

1277

DATE

DESCRIPTION

REV.