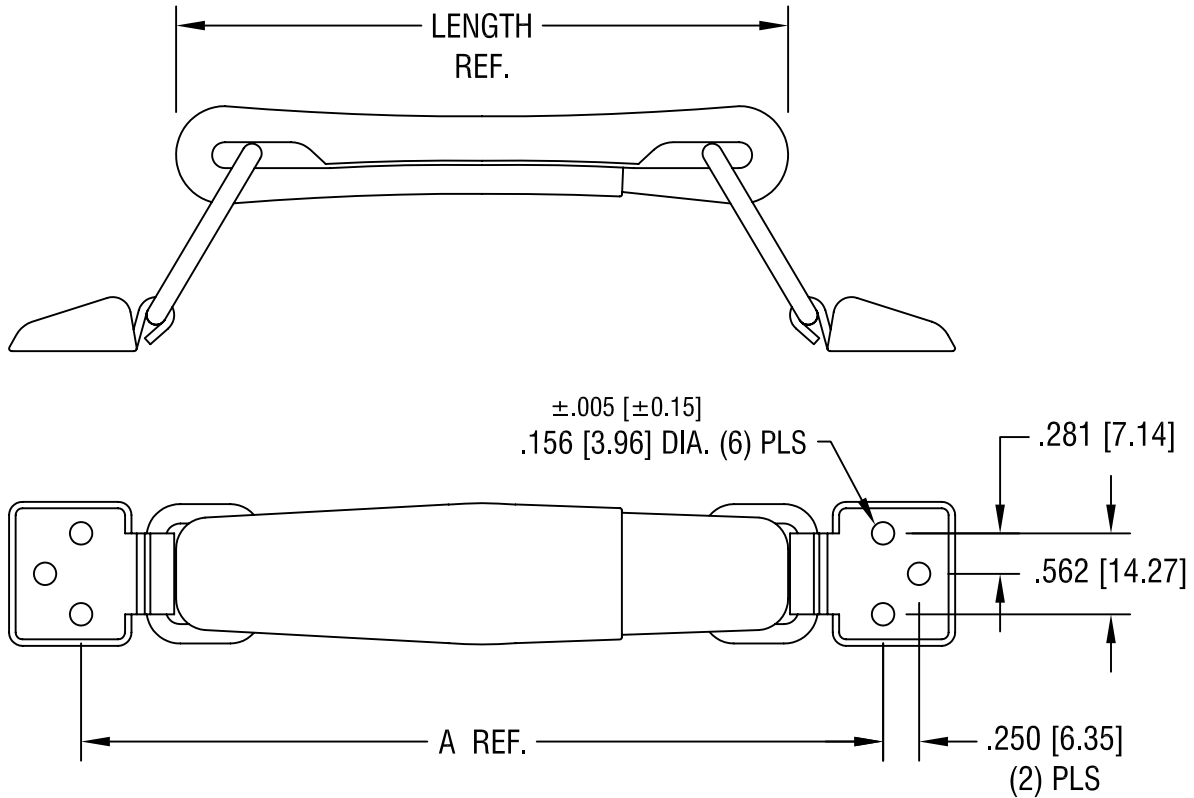


THIS DOCUMENT IS THE PROPERTY OF  
KEYSTONE ELECTRONICS CORP. AND  
SHALL NOT BE REPRODUCED, DISTRIBUTED  
OR USED AS A BASIS FOR MANUFACTURE  
WITHOUT PRIOR WRITTEN PERMISSION  
FROM KEYSTONE ELECTRONICS CORP.



NOTES:

- 1 GRIP:  
BLACK LEATHER LIKE MATERIAL
- 2 HARDWARE:  
MAT'L: STEEL, NICKEL PLATE

PART NO.	LENGTH (REF.)	'A' DIM. (REF.)
8351	4.5 [114.3]	6.0 [152.4]
8352	5.5 [139.7]	7.0 [177.8]
8353	6.0 [152.4]	7.5 [190.5]

<b>KEYSTONE ELECTRONICS CORP.</b>			
ASTORIA, N.Y. 11105-2017			
PART NAME			
CARRYING HANDLE			
MATERIAL			
AS NOTED			
FINISH		DRN BY	DATE
AS NOTED		BOONE	11.18.05
		APP'D	SCALE
		LN	.75X
TOLERANCES	INCH [MM]	CODE	DWG NO.
DECIMAL	± .010 [± 0.25]	C/M	<b>8351-8353</b>
ANGULAR	± 1°		
UNLESS OTHERWISE SPECIFIED			

DATE	DESCRIPTION	REV.