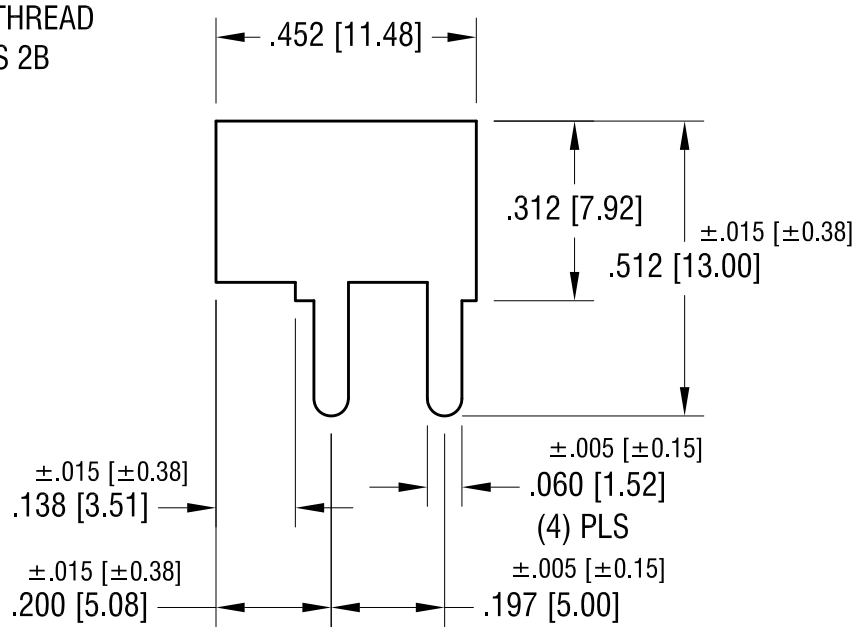
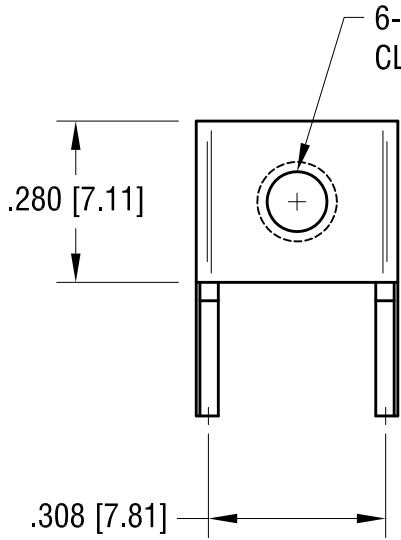
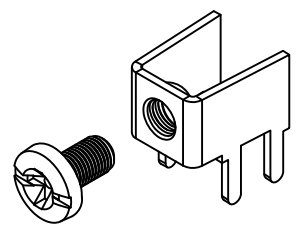
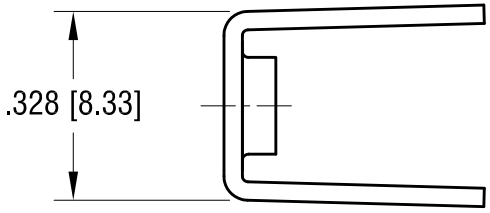
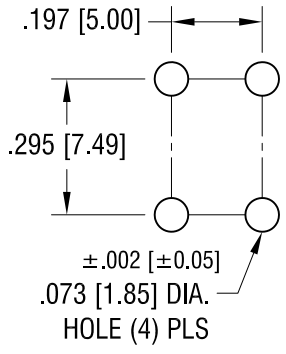


THIS DOCUMENT IS THE PROPERTY OF  
KEYSTONE ELECTRONICS CORP. AND  
SHALL NOT BE REPRODUCED, DISTRIBUTED  
OR USED AS A BASIS FOR MANUFACTURE  
WITHOUT PRIOR WRITTEN PERMISSION  
FROM KEYSTONE ELECTRONICS CORP.

**MOUNTING DETAIL**



**PC SCREW TERMINAL WITH COLORED SCREW HEAD**

| PART NO. | HEAD COLOR | PART NO. | HEAD COLOR |
|----------|------------|----------|------------|
| 8190-2   | RED        | 8190-5   | BLUE       |
| 8190-3   | BLACK      | 8190-6   | GREEN      |
| 8190-4   | WHITE      | 8190-7   | YELLOW     |

NOTE:  
1. TERMINAL:  
MAT'L - .032 [0.81] TH'K BRASS, MATTE TIN PLATE  
SCREW : ONE (1) 6-32 x 1/4 L., SUPPLIED LOOSE.  
MAT'L - BRASS, NICKEL PLATE

| DATE    | DESCRIPTION              | REV. |
|---------|--------------------------|------|
| 7.08.09 | CHANGE AS PER ECN 09-096 | B    |
| 1.3.08  | CHANGE AS PER ECN 08-022 | A    |

**KEYSTONE ELECTRONICS CORP.**  
www.keyelco.com • ASTORIA, N.Y. 11105-2017 • Tel (718) 956-8900

PART NAME  
PC SCREW TERM. W/ COLORED SCREW HEAD

MATERIAL  
AS NOTED

|                    |        |       |       |         |
|--------------------|--------|-------|-------|---------|
| FINISH<br>AS NOTED | DRN BY | BOONE | DATE  | 10.1.03 |
|                    | APP'D  | LN    | SCALE | 3X      |

TOLERANCES INCH [MM]  
DECIMAL ±.010 [±0.25]  
ANGULAR ± 1°  
UNLESS OTHERWISE SPECIFIED

CODE  
C

DWG NO.  
**8190-2 - 8190-7**