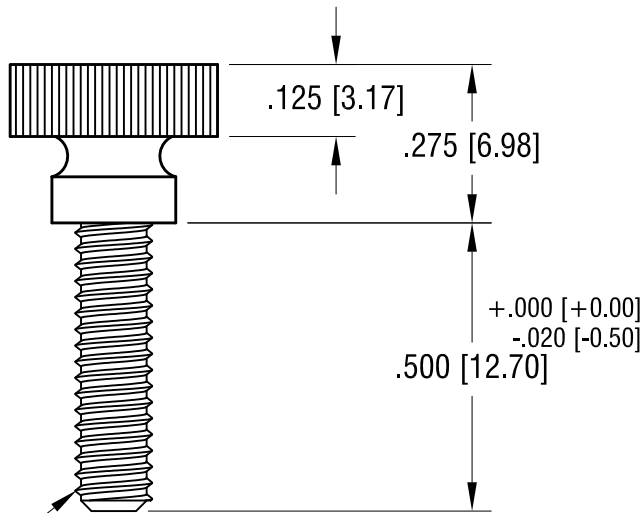
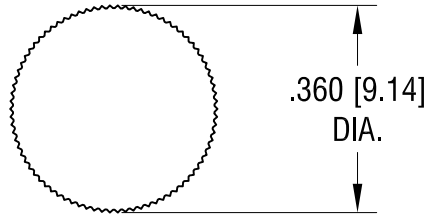
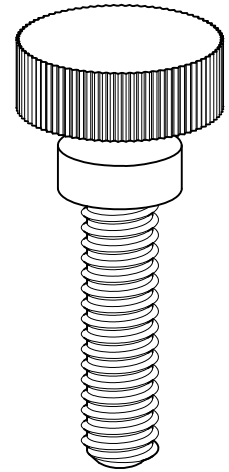


THIS DOCUMENT IS THE PROPERTY OF  
KEYSTONE ELECTRONICS CORP. AND  
SHALL NOT BE REPRODUCED, DISTRIBUTED  
OR USED AS A BASIS FOR MANUFACTURE  
WITHOUT PRIOR WRITTEN PERMISSION  
FROM KEYSTONE ELECTRONICS CORP.



6-32  
THREAD

**KEYSTONE ELECTRONICS CORP.**

www.keyelco.com • ASTORIA, N.Y. 11105-2017 • Tel (718) 956-8900

|                            |                 |                        |         |
|----------------------------|-----------------|------------------------|---------|
| PART NAME                  |                 | KNURL HEAD THUMB SCREW |         |
| MATERIAL                   |                 | NYLON 6/6              |         |
| FINISH                     | -               | DRN BY                 | NT      |
|                            |                 | DATE                   | 3.22.11 |
|                            |                 | APP'D                  | LN      |
|                            |                 | SCALE                  | 3X      |
| TOLERANCES                 | INCH [MM]       | CODE                   | DWG NO. |
| DECIMAL                    | ± .010 [± 0.25] | C                      | 2505    |
| ANGULAR                    | ± 1°            |                        |         |
| UNLESS OTHERWISE SPECIFIED |                 |                        |         |

|         |                          |      |
|---------|--------------------------|------|
| 8.04.11 | CHANGE AS PER ECN 11-100 | A    |
| DATE    | DESCRIPTION              | REV. |