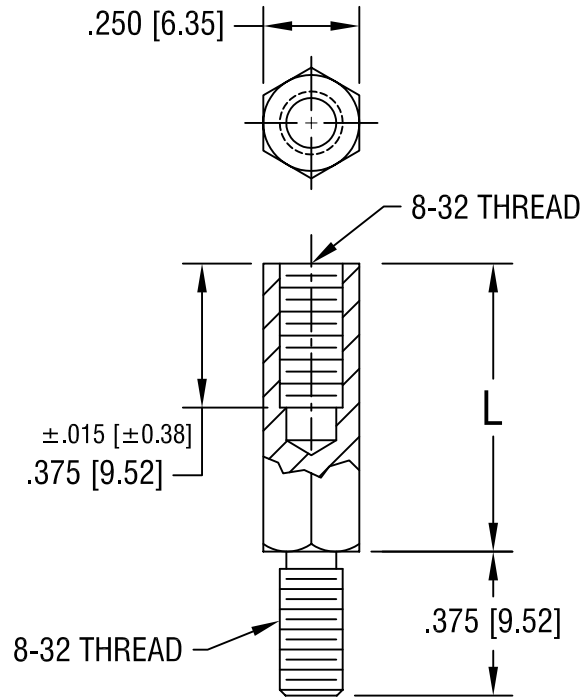


THIS DOCUMENT IS THE PROPERTY OF
KEYSTONE ELECTRONICS CORP. AND
SHALL NOT BE REPRODUCED, DISTRIBUTED
OR USED AS A BASIS FOR MANUFACTURE
WITHOUT PRIOR WRITTEN PERMISSION
FROM KEYSTONE ELECTRONICS CORP.



PART NO.	'L' DIM.
2150	.500 [12.70]
2151	.625 [15.87]
2152	.750 [19.05]
2153	.875 [22.22]
2154	1.000 [25.4]
2155	1.125 [28.57]

KEYSTONE ELECTRONICS CORP.

ASTORIA, N.Y. 11105-2017

PART NAME

HEX M/F STANDOFF

MATERIAL

STAINLESS STEEL

FINISH

-

DRN BY

BOONE

DATE

4.11.96

APP'D

LN

SCALE

2X

TOLERANCES

INCH

[MM]

DECIMAL $\pm .005$ [± 0.15]

CODE

ANGULAR $\pm 1^\circ$
UNLESS OTHERWISE SPECIFIED

DWG NO.

C/M

2150-2155

DATE

DESCRIPTION

REV.