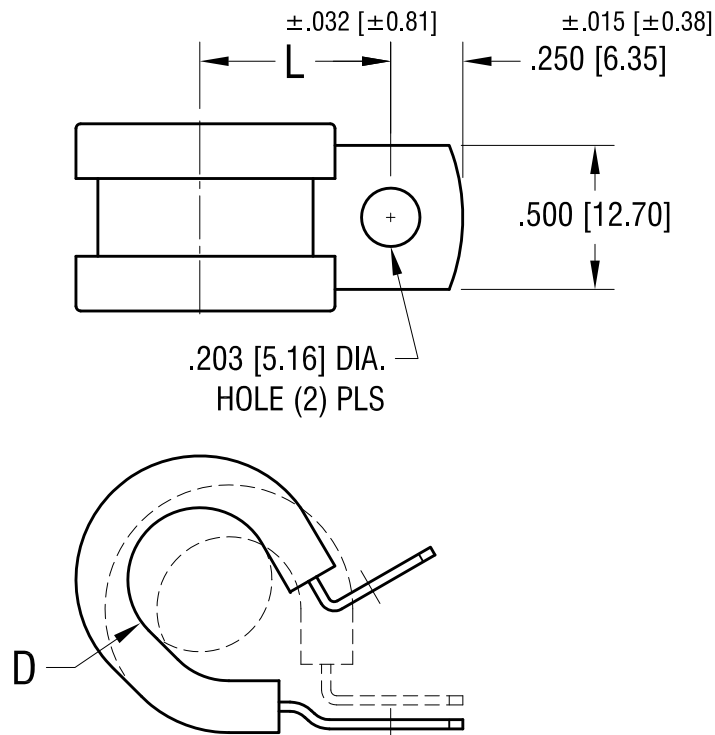


THIS DOCUMENT IS THE PROPERTY OF
KEYSTONE ELECTRONICS CORP. AND
SHALL NOT BE REPRODUCED, DISTRIBUTED
OR USED AS A BASIS FOR MANUFACTURE
WITHOUT PRIOR WRITTEN PERMISSION
FROM KEYSTONE ELECTRONICS CORP.



$\pm .032$ [± 0.81] 'L' DIM.	$\pm .032$ [± 0.81] 'D' FOR DIA.
.500 [12.70]	.375 [9.50]

KEYSTONE ELECTRONICS CORP.			
www.keyelco.com • ASTORIA, N.Y. 11105-2017 • Tel (718) 956-8900			
PART NAME			
CUSHIONED CABLE CLAMP			
MATERIAL			
.032 [.81] TH'K STAINLESS STEEL, EPDM RUBBER			
FINISH		DRN BY	DATE
-		BOONE	12.4.06
		APP'D	SCALE
		LN	NONE
TOLERANCES		INCH	[MM]
DECIMAL		$\pm .010$	[± 0.25]
ANGULAR		$\pm 1^\circ$	
UNLESS OTHERWISE SPECIFIED		CODE	DWG NO.
		C	8091

DATE	DESCRIPTION	REV.