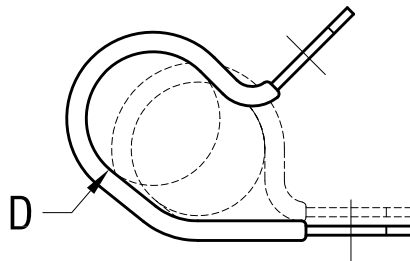
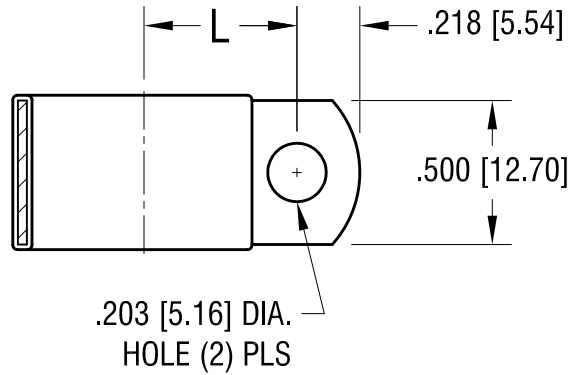


THIS DOCUMENT IS THE PROPERTY OF
KEYSTONE ELECTRONICS CORP. AND
SHALL NOT BE REPRODUCED, DISTRIBUTED
OR USED AS A BASIS FOR MANUFACTURE
WITHOUT PRIOR WRITTEN PERMISSION
FROM KEYSTONE ELECTRONICS CORP.



'L' DIM.	'D' FOR DIA.
.750 [19.05]	.875 [22.23]

KEYSTONE ELECTRONICS CORP.

www.keyelco.com • ASTORIA, N.Y. 11105-2017 • Tel (718) 956-8900

PART NAME		INSULATED STEEL CABLE CLAMP	
MATERIAL		.032 [.81] TH'K STEEL, BLACK VINYL	
FINISH	ZINC PLATE CLEAR CHROMATE	DRN BY	BOONE
		APP'D	LN
		DATE	10.20.99
		SCALE	NONE
TOLERANCES	INCH [MM]	CODE	DWG NO.
DECIMAL	± .010 [± 0.25]	C	8132
ANGULAR	± 1°		
UNLESS OTHERWISE SPECIFIED			

10.18.06	CHANGE AS PER ECN 06-070	A
DATE	DESCRIPTION	REV.