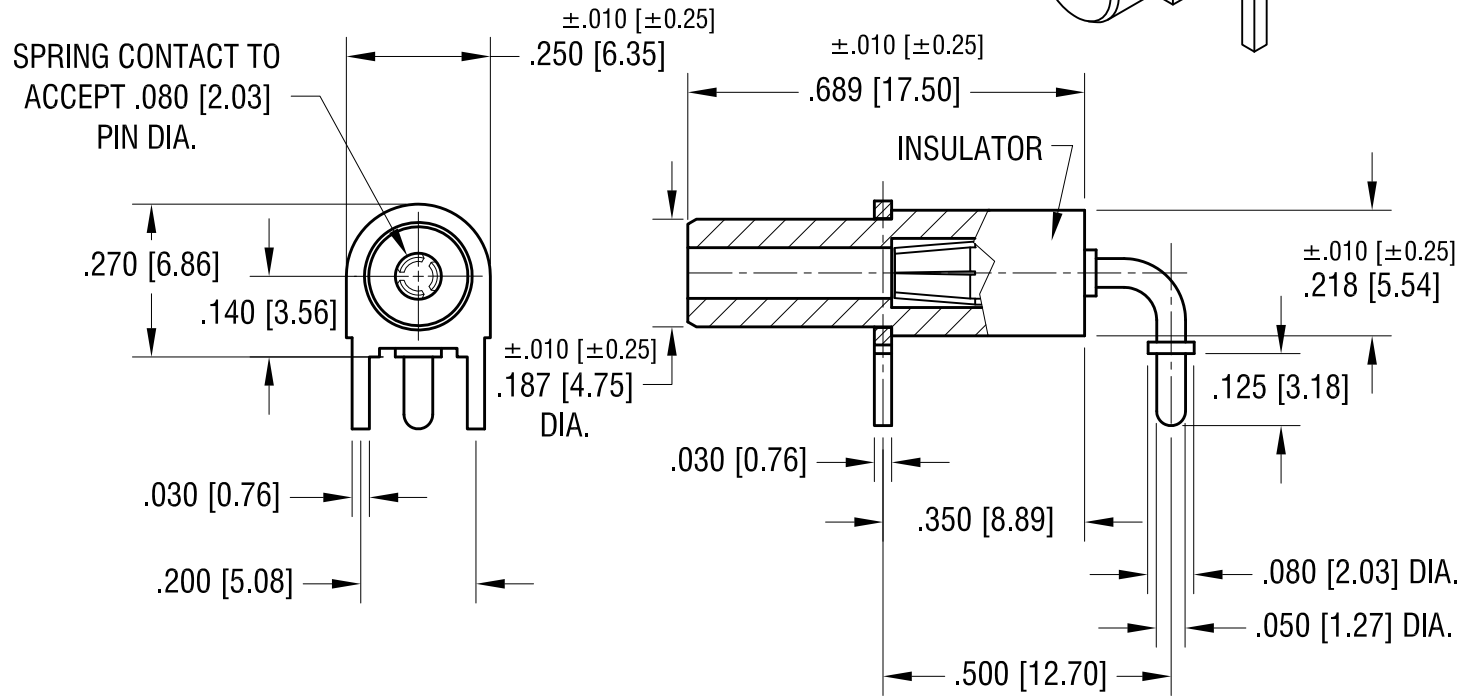
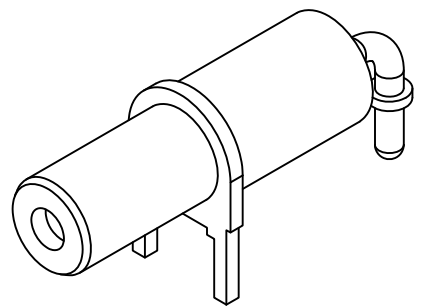
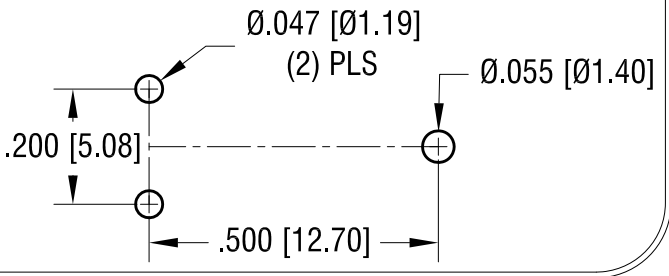


THIS DOCUMENT IS THE PROPERTY OF KEYSTONE ELECTRONICS CORP. AND SHALL NOT BE REPRODUCED, DISTRIBUTED OR USED AS A BASIS FOR MANUFACTURE WITHOUT PRIOR WRITTEN PERMISSION FROM KEYSTONE ELECTRONICS CORP.

**MOUNTING DETAIL**



- NOTES:**
1. TERMINAL JACK: MAT'L - BERYLLIUM COPPER (QQ-C-533)
  2. BUSHING: MAT'L - PTFE
  3. MOUNTING BRACKET: MAT'L - BRASS

PART NO.	COLOR
11013	WHITE
11013-R	RED
11013-B	BLACK

DATE	DESCRIPTION	REV.
11.22.11	CHANGE AS PER ECN 11-158	B
3.07.11	CHANGE AS PER ECN 11-030	A

**KEYSTONE ELECTRONICS CORP.**  
 www.keyelco.com • ASTORIA, N.Y. 11105-2017 • Tel (718) 956-8900

PART NAME: **HORIZONTAL INSULATED TEST JACK**

MATERIAL: **AS NOTED**

FINISH: **GOLD PLATE**

DRN BY: N.T.      DATE: 3.07.08  
 APP'D: LN      SCALE: 3X

TOLERANCES INCH [MM]  
 DECIMAL ± .005 [± 0.13]  
 ANGULAR ± 1°  
 UNLESS OTHERWISE SPECIFIED

CODE: C/M      DWG NO. **11013-**