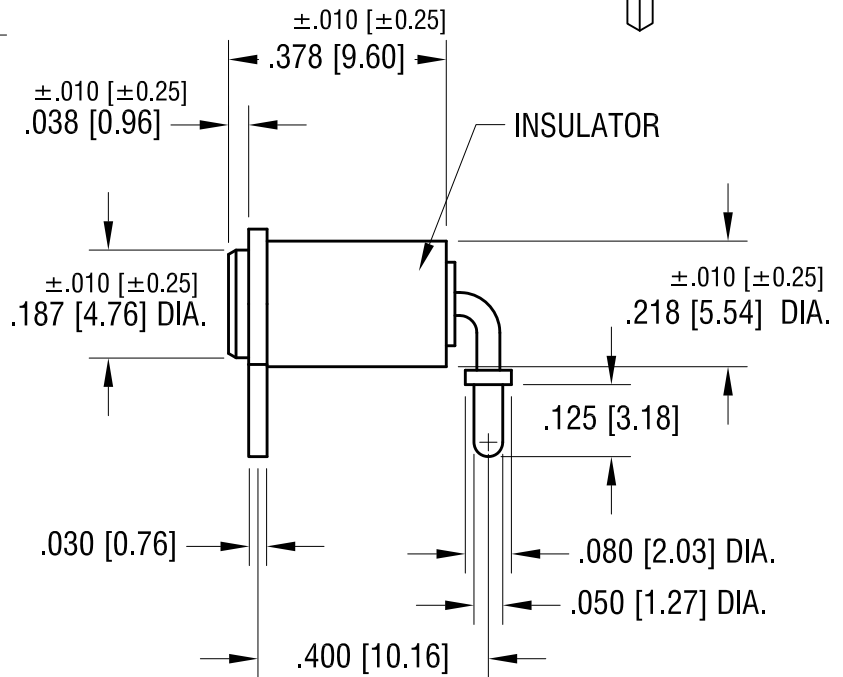
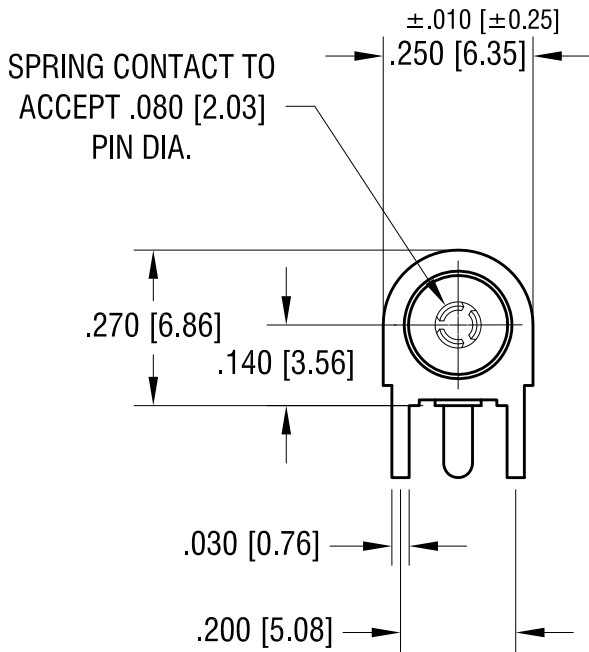
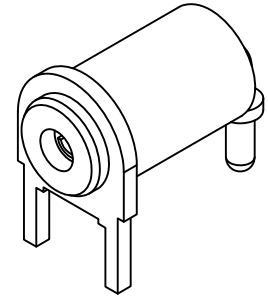
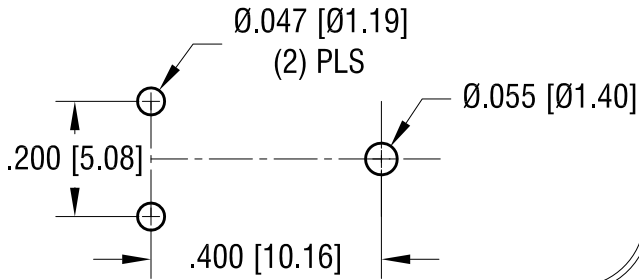


THIS DOCUMENT IS THE PROPERTY OF KEYSTONE ELECTRONICS CORP. AND SHALL NOT BE REPRODUCED, DISTRIBUTED OR USED AS A BASIS FOR MANUFACTURE WITHOUT PRIOR WRITTEN PERMISSION FROM KEYSTONE ELECTRONICS CORP.

MOUNTING DETAIL



NOTES:

1. TERMINAL JACK: MAT'L - BERYLLIUM COPPER (QQ-C-533)
2. BUSHING: MAT'L - PTFE
3. MOUNTING BRACKET: MAT'L - BRASS

PART NO.	COLOR
11014	WHITE
11014-R	RED
11014-B	BLACK

KEYSTONE ELECTRONICS CORP.

www.keyelco.com • ASTORIA, N.Y. 11105-2017 • Tel (718) 956-8900

PART NAME			HORIZONTAL INSULATED TEST JACK		
MATERIAL			AS NOTED		
FINISH		DRN BY		DATE	
GOLD PLATE		N.T.		7.10.07	
		APP'D		SCALE	
		LN		3X	
TOLERANCES			CODE		
INCH [MM]			DWG NO.		
DECIMAL ±.005 [±0.13]			C/M		
ANGULAR ± 1°			11014-		
UNLESS OTHERWISE SPECIFIED					

10.11.11	CHANGE AS PER ECN 11-132	A
DATE	DESCRIPTION	REV.