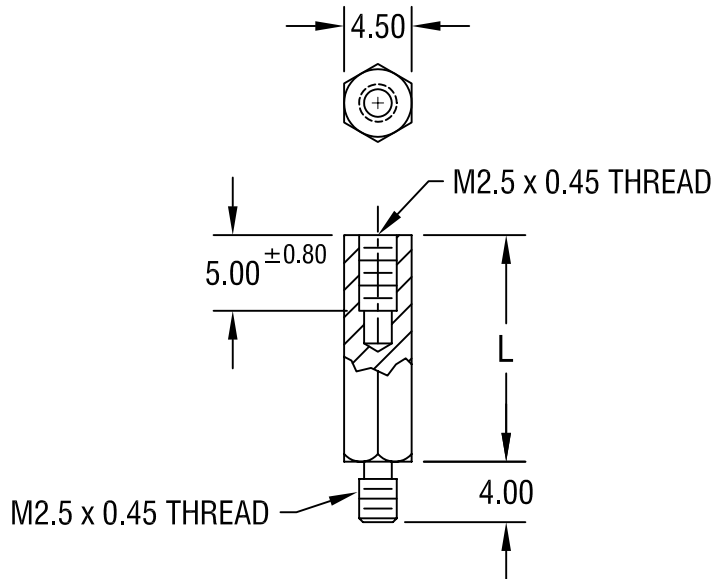


THIS DOCUMENT IS THE PROPERTY OF  
KEYSTONE ELECTRONICS CORP. AND  
SHALL NOT BE REPRODUCED, DISTRIBUTED  
OR USED AS A BASIS FOR MANUFACTURE  
WITHOUT PRIOR WRITTEN PERMISSION  
FROM KEYSTONE ELECTRONICS CORP.



PART NO.	'L' DIM.
24331	10.00
24332	12.00
24333	15.00
24334	18.00
24335	20.00
24336	25.00

**NOTE:**

1. ALL DIMENSIONS ARE IN MILLIMETERS

<b>KEYSTONE ELECTRONICS CORP.</b>			
ASTORIA, N.Y. 11105-2017			
PART NAME			
4.5mm M/F HEX STANDOFF			
MATERIAL			
ALUMINUM			
FINISH		DRN BY	DATE
CLEAR IRIDITE		BOONE	5.8.06
		APP'D	SCALE
		LN	2X
TOLERANCES	INCH [MM]	CODE	DWG NO.
DECIMAL	± [± 0.15]	C/M	<b>24331-24336</b>
ANGULAR	± 1°		
UNLESS OTHERWISE SPECIFIED			

DATE	DESCRIPTION	REV.