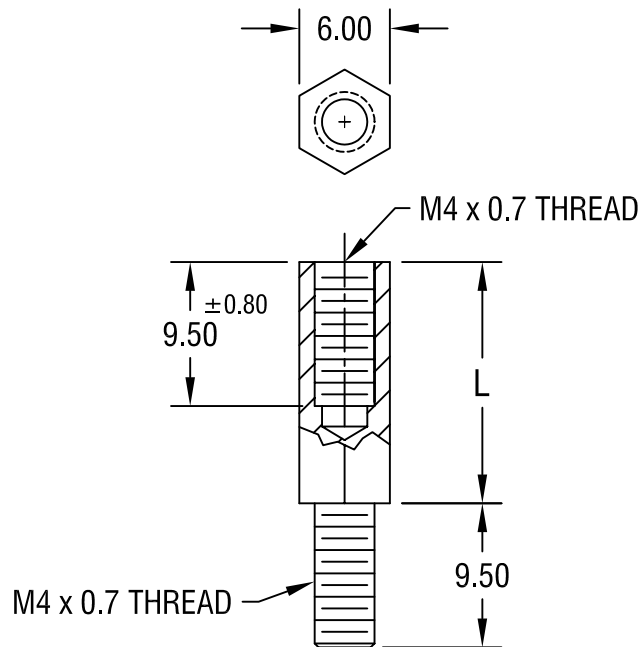


THIS DOCUMENT IS THE PROPERTY OF  
KEYSTONE ELECTRONICS CORP. AND  
SHALL NOT BE REPRODUCED, DISTRIBUTED  
OR USED AS A BASIS FOR MANUFACTURE  
WITHOUT PRIOR WRITTEN PERMISSION  
FROM KEYSTONE ELECTRONICS CORP.



PART NO.	'L' DIM.
25521	10.00
25522	12.00
25523	15.00
25524	18.00
25525	20.00
25526	25.00

**NOTE:**

1. ALL DIMENSIONS ARE IN MILLIMETERS

**KEYSTONE ELECTRONICS CORP.**

ASTORIA, N.Y. 11105-2017

PART NAME				6.0mm M/F HEX STANDOFF			
MATERIAL				NYLON 6/6			
FINISH		DRN BY		DATE		APP'D	
-		BOONE		10.11.06		LN	
				SCALE		2X	
TOLERANCES		INCH [MM]		CODE		DWG NO.	
DECIMAL ±		[± 0.40]		C/M		25521-25526	
ANGULAR ± 1°		UNLESS OTHERWISE SPECIFIED					

DATE	DESCRIPTION	REV.