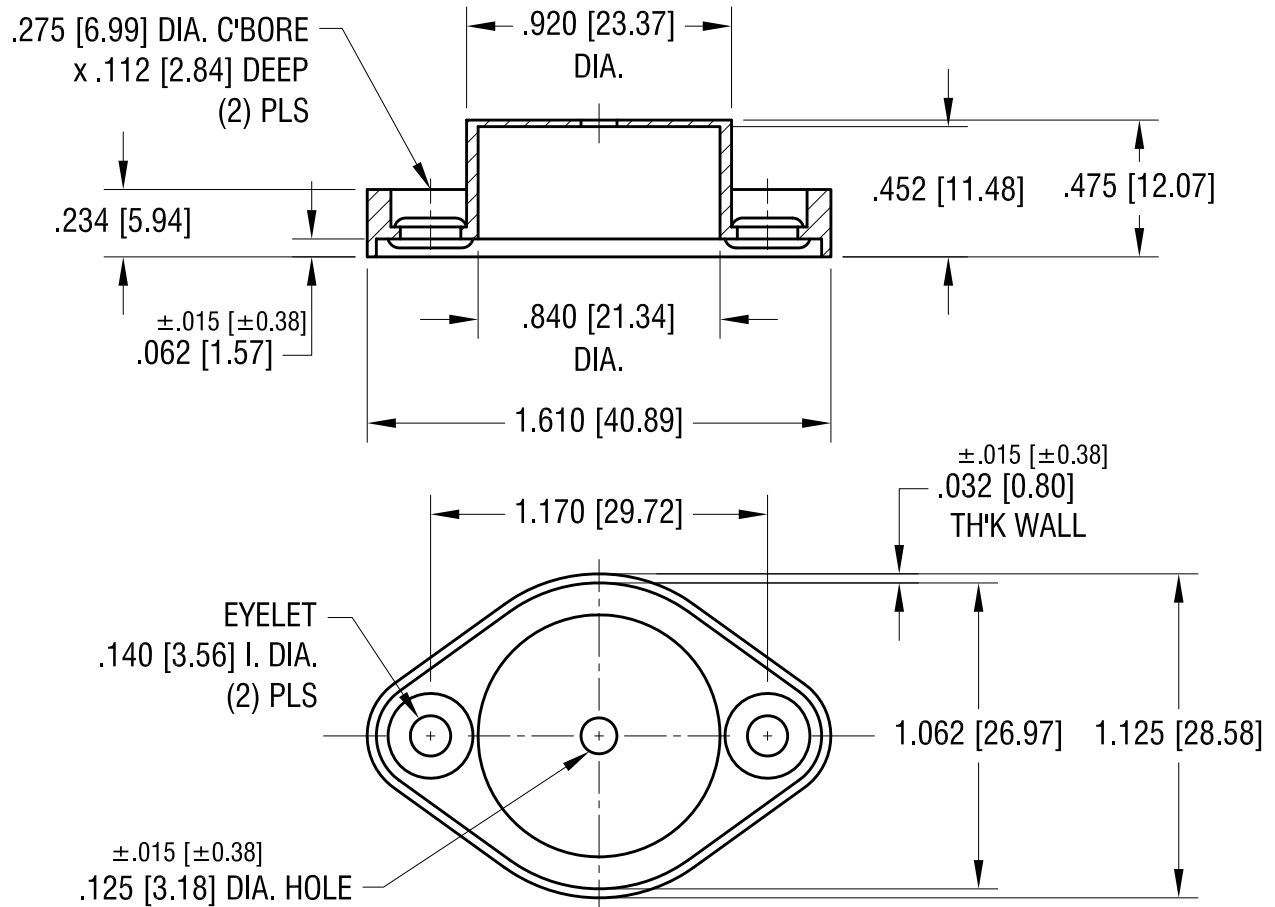


THIS DOCUMENT IS THE PROPERTY OF
KEYSTONE ELECTRONICS CORP. AND
SHALL NOT BE REPRODUCED, DISTRIBUTED
OR USED AS A BASIS FOR MANUFACTURE
WITHOUT PRIOR WRITTEN PERMISSION
FROM KEYSTONE ELECTRONICS CORP.



KEYSTONE ELECTRONICS CORP.

www.keyelco.com • ASTORIA, N.Y. 11105-2017 • Tel (718) 956-8900

PART NAME

TO-3 POWER TRANSISTOR COVER

MATERIAL

MOLDED NYLON

FINISH

-

DRN BY

BOONE

DATE

11.6.06

APP'D

LN

SCALE

1.5X

TOLERANCES

INCH [MM]

DECIMAL $\pm .005 [\pm 0.13]$

ANGULAR $\pm 1^\circ$

UNLESS OTHERWISE SPECIFIED

CODE

C

DWG NO.

4634

DATE

DESCRIPTION

REV.