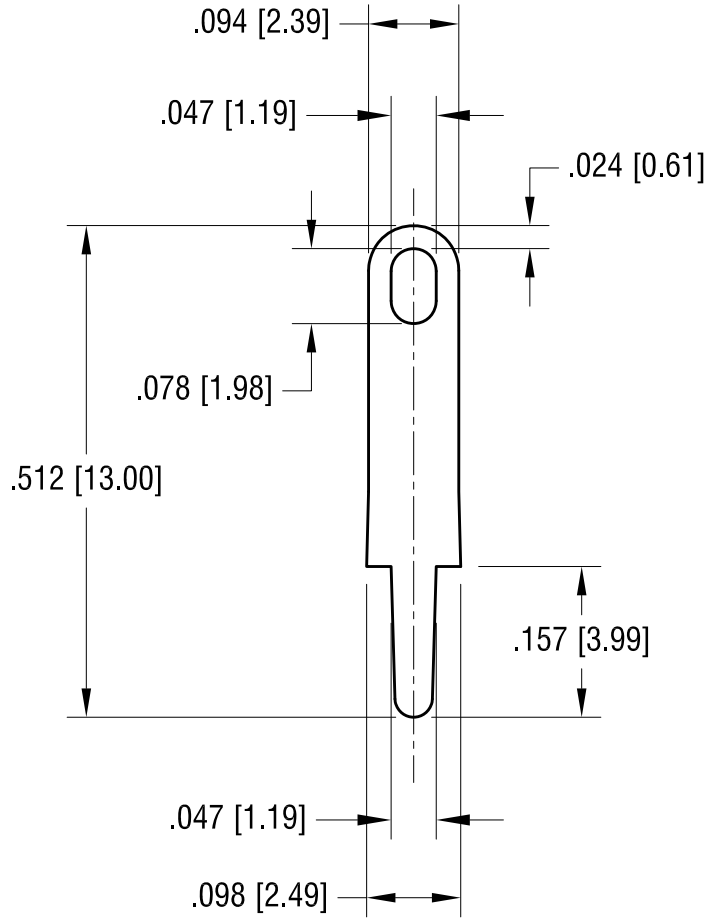


THIS DOCUMENT IS THE PROPERTY OF
KEYSTONE ELECTRONICS CORP. AND
SHALL NOT BE REPRODUCED, DISTRIBUTED
OR USED AS A BASIS FOR MANUFACTURE
WITHOUT PRIOR WRITTEN PERMISSION
FROM KEYSTONE ELECTRONICS CORP.



KEYSTONE ELECTRONICS CORP.

www.keyelco.com • ASTORIA, N.Y. 11105-2017 • Tel (718) 956-8900

PART NAME
PC TEST POINT TERMINAL

MATERIAL
.020 [0.50] TH'K BRASS

FINISH MATTE TIN PLATE	DRN BY BOONE	DATE 9.18.97
	APP'D	SCALE 5X

TOLERANCES	INCH [MM]	CODE	DWG NO.
DECIMAL	$\pm .005$ [± 0.15]	C	4953
ANGULAR	$\pm 1^\circ$		
UNLESS OTHERWISE SPECIFIED			

12.01.09	CHANGE AS PER ECN 09-177	B
9.14.07	CHANGE AS PER ECN 07-055	A
DATE	DESCRIPTION	REV.